



# Z6951-XL

## Aqua-FIT® Fulmer Series™ Self-Sustaining, Battery-Powered Faucet

TAG \_\_\_\_\_



### Architectural & Engineering Specification

Zurn HYDRO-X Power sensor faucets are ideal for high-use applications where **sustainable power**, **durability** and **hands-free operation** are necessary. Self-sustaining hydropower with battery backup for ten years of trouble-free operation, ADA compliant, polished chrome-plated cast brass sensor faucet with infrared proximity sensor for retrofit and new construction. Unit is furnished with a standard 0.5 GPM flow control and mounting hardware.

Zurn **Lead Free (-XL)** is the line of durable, high-quality, brass faucets and fixtures that are designed and manufactured to comply with Section 1417 of the Safe Drinking Water Act (SDWA), which mandates a weighted average lead content of no more than 0.25% of the wetted surface.

### Product Features & Technical Specification

- Self-sustaining hydropower for 10+ years of operation
- 4 "AA" battery back-up (lithium included)
- Infrared convergence-type proximity sensor
- Metering mode (adjustable)
- 30-sec time-out mode (adjustable)
- Line purge mode (adjustable)
- Chrome-plated, cast brass spout
- Three alternative finishes
- In-line filter
- Inlet for a 1/2" [13-mm] ball riser

### Suffix Options

- ADM Above-deck mixer
- CP4 Cover plate with 4" [102-mm] centers
- CP8 Cover plate with 8" [203-mm] centers
- H4 Wrist blade handle for above-deck mixer
- MV Temperature mixing valve
- SH Supply hoses for mixing valve
- SSH Single supply hose
- TMV-1 Thermostatic mixing valve for single faucets

### Finish Options

- BN Brushed nickel
- PN Polished nickel
- PB Polished brass

### Compliance & Certification

- ASME A112.18.1/CSA B125.1
- ADA compliant
- Low-lead compliant
- WaterSense\* compliant



\*This device is WaterSense labeled when used with the appropriate flow rate and certified for residential and private restrooms.



### Aerator Options

	Flowrate gpm [lpm]	Vandal- resistant	WaterSense* labeled	Outlet type
-E	1.5 [5.7]	✓	✓	Aerator
-F	0.5 [1.9]	✓		Spray
-J	1.5 [5.7]	✓	✓	Laminar
-K	1.0 [3.8]	✓	✓	Laminar
-L	1.0 [3.8]	✓	✓	Aerator
-M	0.35 [1.3]	✓		Spray
-N	0.5 [1.9]	✓		Laminar

### Power Supply Choices (Sold Separately)

- ACA 6-VDC plug-in power converter
- HW6 Hardwired power converter

### Optional Power Supply Accessories

- CWB Connector wire for plug-in power converter
- MJ Mini junction box

Note: For hardwired installations, furnish with the P6000-HW6 power converter.

Note: The P6000-HW6 and P6000-MJ will power up to 8 sensor faucets.

### Architectural/Engineering Approval

The information contained in this document is subject to change without notice. Please contact Zurn for most up to date information.





# Z6951-XL

## Aqua-FIT® Fulmer Series™ Self-Sustaining, Battery-Powered Faucet

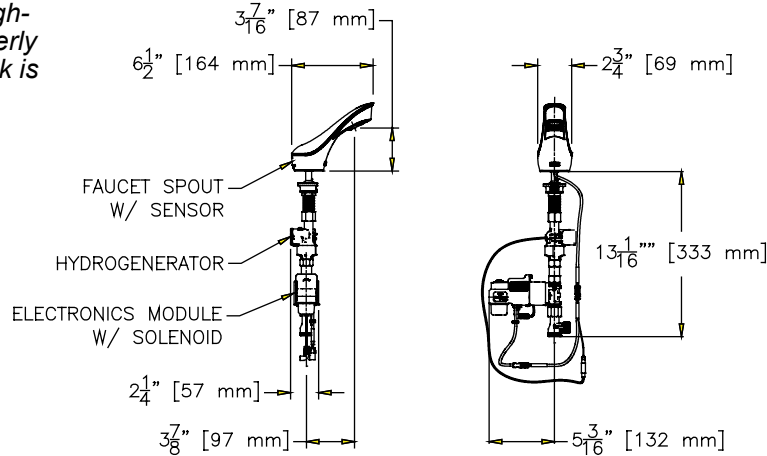
TAG \_\_\_\_\_

### Rough-in & Overview Dimensions

#### Z6951-XL

Aqua-FIT® Fulmer Series™ Self-Sustaining, Battery-Powered Faucet

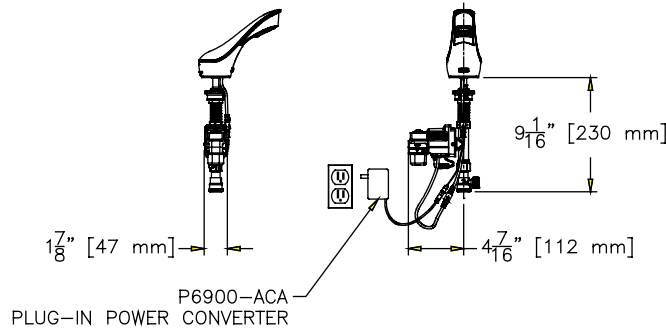
**Note:** Recommended through-hole diameter to properly mount the spout/shank is 1 1/8" to 1 1/4".



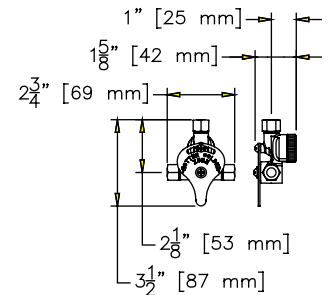
#### Z6951-XL-ACA

Aqua-FIT® Fulmer Series™ Plug-in-Powered Faucet

**Note:** Must use Zurn P6000-ACA plug-in power converter to ensure proper operation. Using a power converter other than Zurn's may result in operational malfunction or unit failure.



#### P6900-MV (Optional) Temperature Mixing Valve



#### Z6951-XL-CWB

Aqua-FIT® Fulmer Series™ Hardwire-Powered Faucet

**Note:** Must use Zurn P6000-HW6 hardwire power converter to ensure proper operation. Using a power converter other than Zurn's may result in operational malfunction or unit failure.

**Note:** The P6000-HW6 and P6000-MJ (optional) will power up to 8 sensor faucets.

