

Drake® Transitional WASHLET®+ C2 Two-Piece Toilet - 1.28 GPF

FEATURES

- Concealed supply connection for seamless installation
- TORNADO FLUSH® system, high-efficiency (1.28 GPF/4.8 LPF)
- Transitional style tank
- CEFIONTECT® ceramic glaze minimizes waste from sticking to porous ceramic surfaces.
- 12" Rough-in, supply line sold separately
- Chrome plated trip lever
- Elongated front bowl and WASHLET+ C2 and tank set
- EWATER+® auto-cleans wand
- On-demand remote function cleans wand with EWATER+
- PREMIST® of bowl before each use
- Convenient arm control panel



MODELS




- MW7863074CEG (#01)
With CEFIONTECT ceramic glaze, WASHLET+ C2
- C776CEGT40
Elongated bowl with CEFIONTECT
- ST786EA
Tank and cover only
- SW3074T40
WASHLET+ C2

OPTIONAL COMPONENTS

- THU398(#01, #PN, #BN)
Trip Lever - Cotton, Polished Nickel, Brushed Nickel

COLORS/FINISHES

- #01 Cotton

-  TORNADO FLUSH
-  EWATER+
-  CEFIONTECT

PRODUCT SPECIFICATION

The two-piece high-efficiency TORNADO FLUSH toilet shall be 1.28 GPF/4.8 LPF. Regular Height Toilet with CEFIONTECT glaze finish. Toilet shall have high-profile tank, elongated front bowl and chrome trip lever. Toilet shall be TOTO Model MW7863074CEG#01.

See TOTO Specification sheet SW3074T40 for details on required WASHLET.

CODES/STANDARDS

- Meets and exceeds ASME A112.19.2/CSA B45.1
- Certifications: IAPMO(cUPC®), EPA WaterSense, State of Massachusetts, City of Los Angeles, and others
- Code Compliance: UPC, IPC, NSPC, NPC Canada, and others
- Legislative Compliance: California Green Building Code, City of Los Angeles Water Efficiency Ordinance, and others
- Complies with CA Prop 65 warning requirements



MW7863074CEG

Drake® Transitional WASHLET®+ C2 Two-Piece Toilet - 1.28 GPF

SPECIFICATIONS

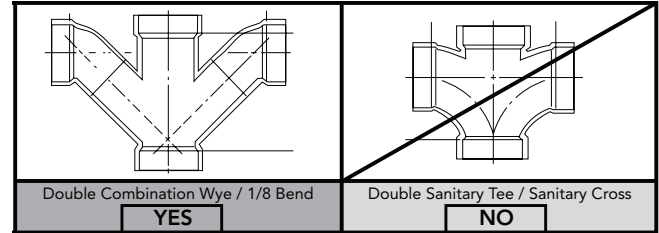
Water Use	1.28 GPF (4.8 LPF)
Flush System	TORNADO FLUSH®
Min. Water Pressure	8 psi (Flowing)
Water Surface	9" x 6-7/8"
Trap Diameter	2-1/8"
Rough-in	12"
Trap Seal	2-1/8"
Warranty	One Year Limited Warranty
Material	Vitreous China
Shipping Weight	C776CEGT40 57 lbs. ST786EA 34 lbs.
Shipping Dimensions	C776CEGT40 29-3/4" L x 15" W1 x 10-5/8" W2 x 16-1/4" H ST786EA 20" L x 9-3/8" W x 15-5/8" H

See SW3074T40 Specification Sheet for details on included WASHLET.

INSTALLATION NOTES

Back-to-Back Toilet Installations:

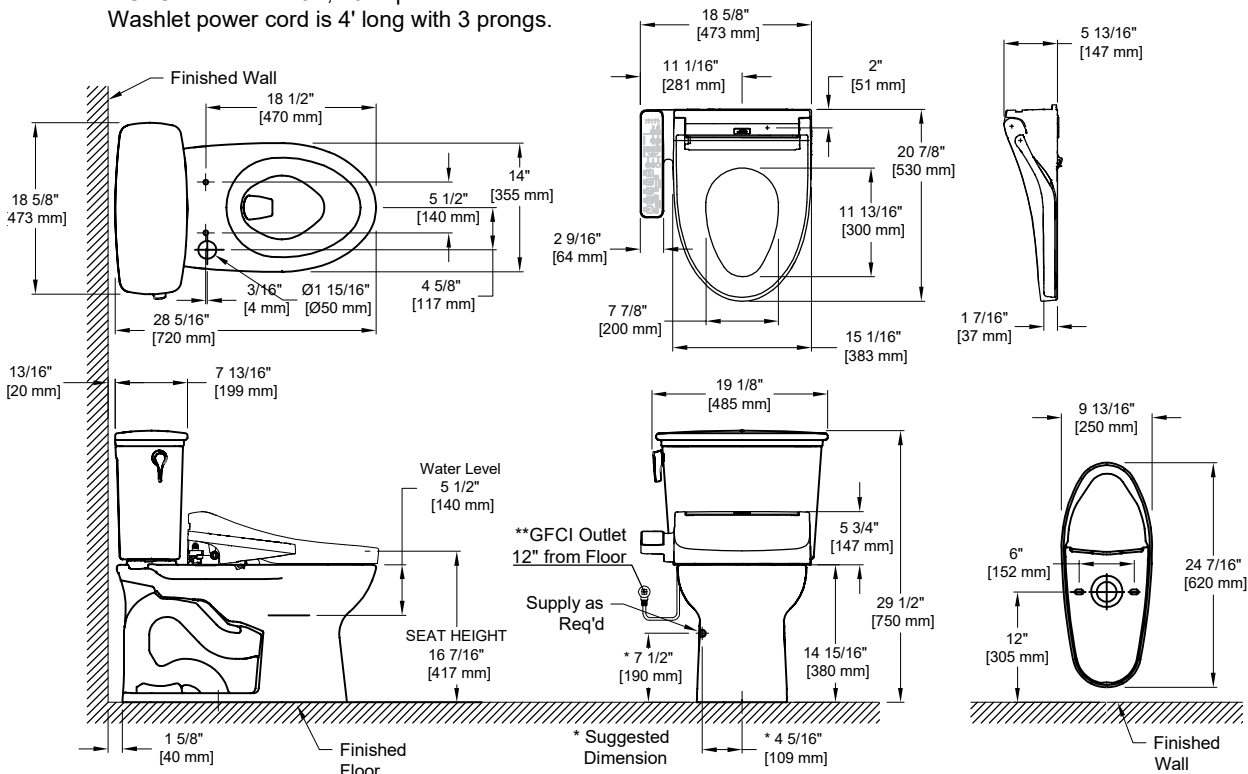
TOTO recommends the use of a nationally listed, double sanitary tee-wye only, in vertical waste stacks, in accordance with the stipulations noted in the majority of nationally recognized plumbing codes.



To maintain adequate wall gap between the back of the tank and wall, mount the floor flange at a nominal 12" rough-in distance.

DIMENSIONS

**GFCI outlet of 120V, 10amps.
Washlet power cord is 4' long with 3 prongs.



TOTO®

These dimensions and specifications are subject to change without notice