



**Valton®**  
Rite-Temp® valve trim  
**TS33593-4**

**Features**

- A single handle controls both on/off activation and temperature setting
- Antiscald protection
- Coordinates with other products in the Valton collection

**Material**

- Premium metal construction for durability and reliability
- KOHLER® finishes resist corrosion and tarnishing

**Installation**

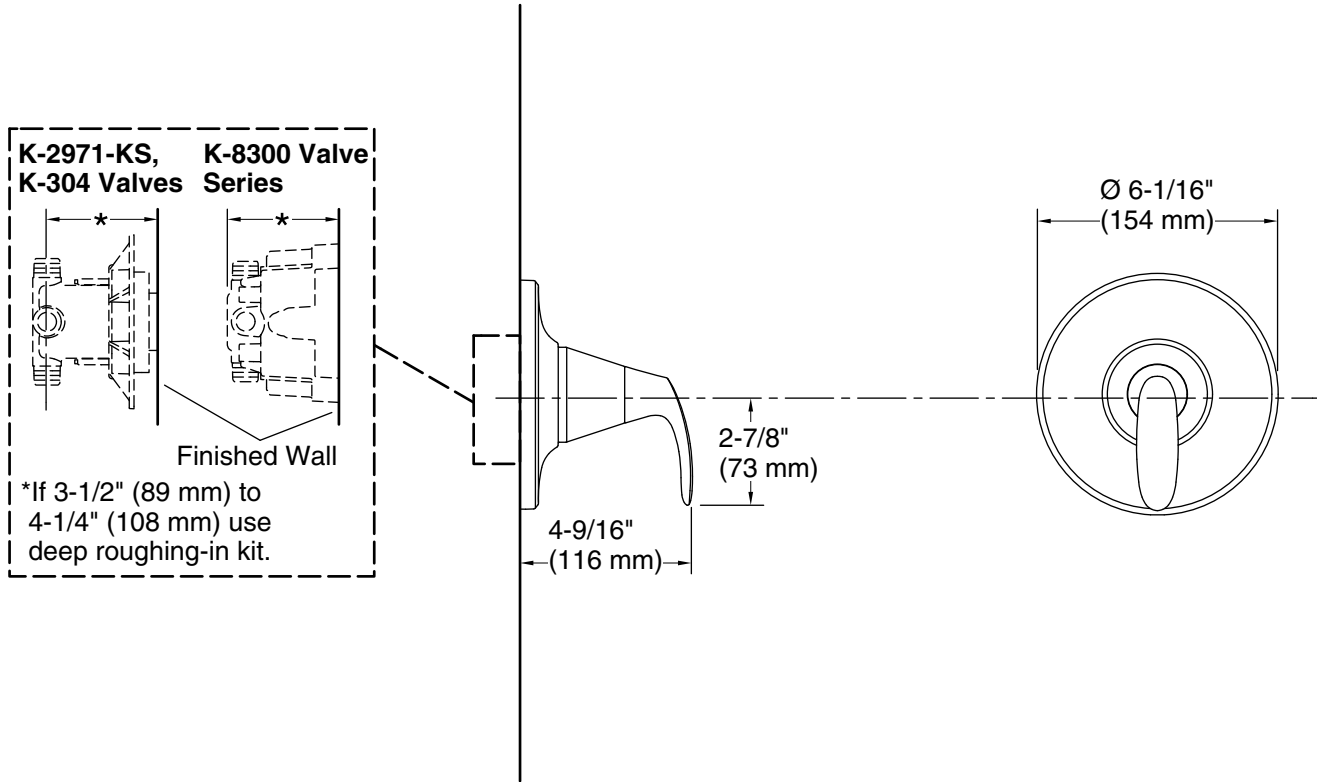
- Trim only; requires valve to complete installation (sold separately)

**Codes/Standards**

ASME A112.18.1/CSA B125.1  
IAPMO Certification

**STERLING® Faucet Lifetime Limited  
Warranty**

See website for detailed warranty information.



**Technical Information**

All product dimensions are nominal.

**Spout:**

**Notes**

Install this product according to the installation guide.

NOTICE: Risk of product damage. Long screws for installing trim can damage the K-2971-KS valve. Consult the trim installation guide to verify if the thin wall installation kit (88526) is needed.