



Valton™

Two-piece elongated toilet 402312

Features

- Two-piece toilet.
- Elongated bowl offers added room and comfort.
- 1.28 gallons per flush (gpf).
- Color-matched left-hand white trip lever included.
- 2" fully glazed trapway.
- Combination consists of the 403378 bowl and 404501 tank.

Technology

- Pro Force® Plus flushing technology delivers greater flushing power than previous Pro Force® models.

Installation

- Standard 12" rough-in.
- Three-bolt installation.
- Seat and supply line not included.

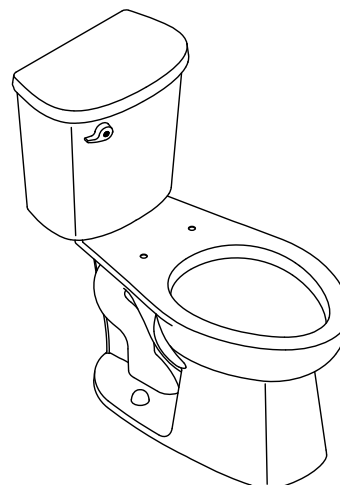
Recommended Products/Accessories

- K-20110 Brevia™ Quiet-Close™ Elongated Toilet Seat
- K-4636 Cachet® Quiet-Close™ Elongated Toilet Seat
- K-5420 Low-Profile Bolt Caps

Included Components

Product consists of:

- 403378 Elongated toilet bowl
- 404501 Elongated toilet bowl



Codes/Standards

- ASME A112.19.2/CSA B45.1
- DOE - Energy Policy Act 1992
- EPA WaterSense®
- California Energy Commission (CEC)


STERLING® Warranty - Toilets and Lavatories

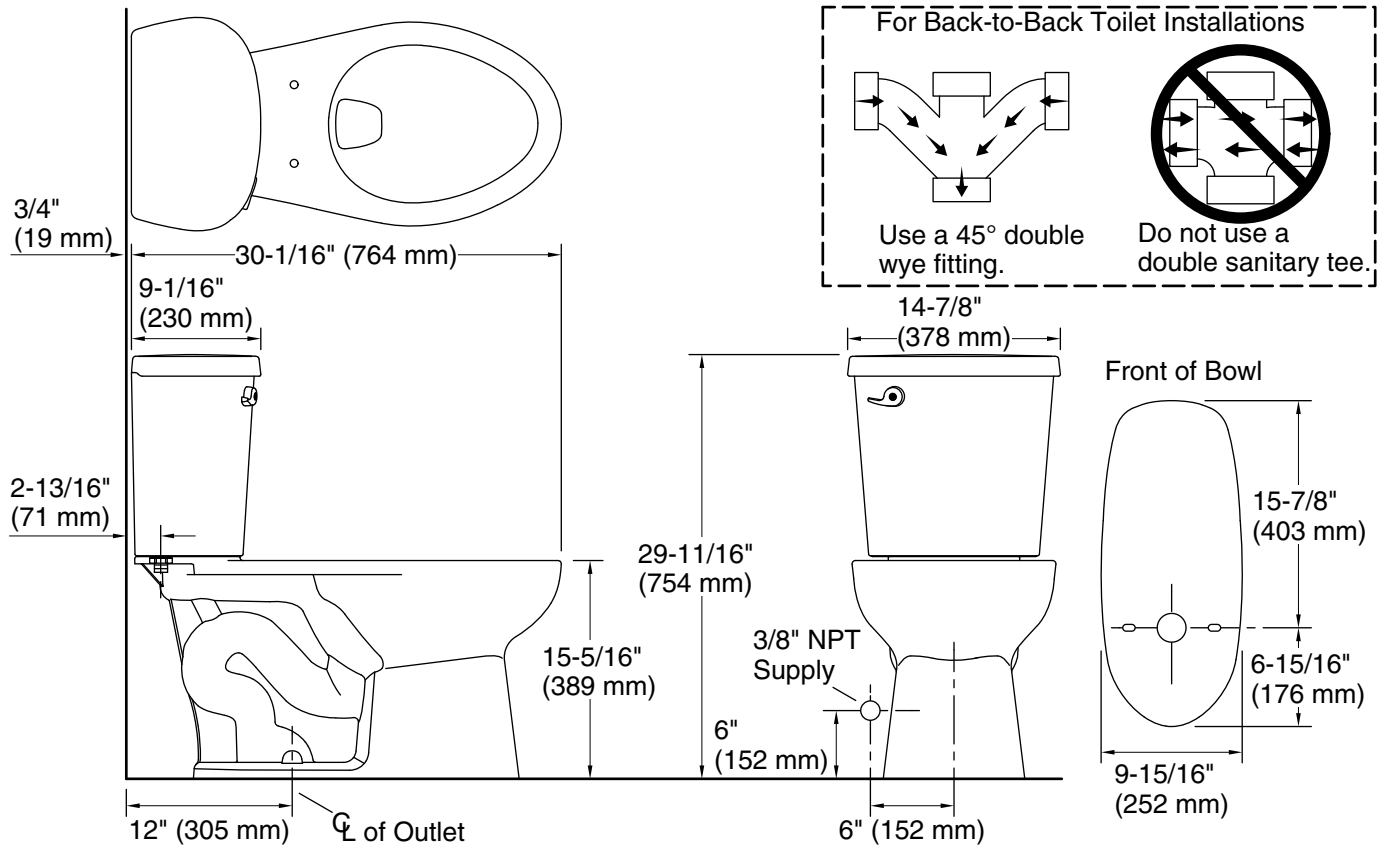
See website for detailed warranty information.

Available Colors/Finishes

Color tiles intended for reference only.

Color Code Description

	0	White
--	---	-------



Technical Information

All product dimensions are nominal.

- Toilet type: Two-piece, Floor-mount
- Waste Outlet: Floor
- Bowl shape: Elongated
- Flush type: Gravity siphon jet
- Water Consumption
 - Full: 1.28 gpf (4.8 lpf)
- Rough-in: 12" (305 mm)

Fixture Supply Requirements

- Min static pressure: 15 psi (103.4 kPa)
- Max static pressure: 80 psi (551.6 kPa)

Notes

- Install this product according to the installation instructions.
- For back-to-back toilet installations: Use only a 45° double wye fitting.