



Valton™

Two-piece round-front 1.6 gpf toilet
402311

Features

- Two-piece toilet.
- Round-front bowl offers an ideal solution for smaller baths and powder rooms.
- 1.28 gallons per flush (gpf).
- Color-matched left-hand white trip lever included.
- 2" fully glazed trapway.
- Combination consists of the 403377 bowl and 404501 tank.

Technology

- Pro Force® Plus flushing technology delivers greater flushing power than previous Pro Force® models.

Installation

- Standard 12" rough-in.
- Three-bolt installation.
- Seat and supply line not included.

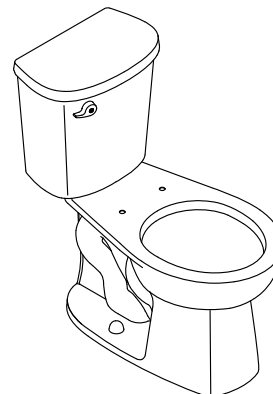
Recommended Products/Accessories

K-20111 Brevia™ Quiet-Close™ Round-Front Toilet Seat
K-4639 Cachet® Quiet-Close™ Round-Front Toilet Seat
K-5420 Low-Profile Bolt Caps

Included Components

Product consists of:

403377 round-front toilet bowl
404501 1.28 gpf toilet tank



Codes/Standards

ASME A112.19.2/CSA B45.1
DOE - Energy Policy Act 1992
EPA WaterSense®
California Energy Commission (CEC)

STERLING® Warranty - Toilets and Lavatories

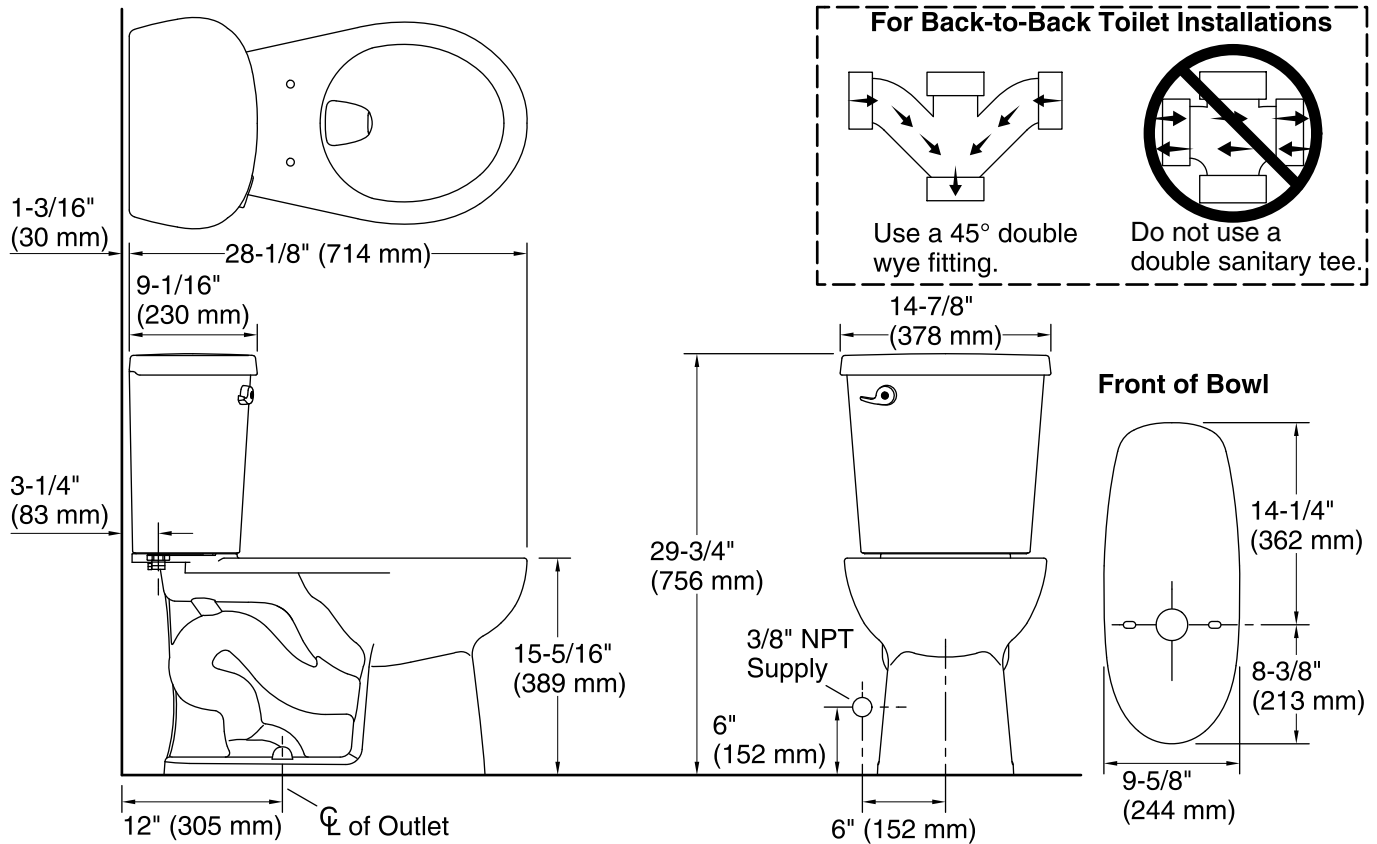
See website for detailed warranty information.

Available Colors/Finishes

Color tiles intended for reference only.

Color Code Description

■ 0 White



Technical Information

All product dimensions are nominal.

- Toilet type: Two-piece, Floor-mount
- Waste Outlet: Floor
- Bowl shape: Round-front
- Flush type: Gravity siphon jet
- Water Consumption
 - Full: 1.28 gpf (4.8 lpf)
- Rough-in: 12" (305 mm)

Fixture Supply Requirements

- Min static pressure: 15 psi (103.4 kPa)
- Max static pressure: 80 psi (551.6 kPa)

Notes

- Install this product according to the installation instructions.
- For back-to-back toilet installations: Use only a 45° double wye fitting.