



GUARD+®

60" x 42" shower base
95081

Features

- Low-threshold design for easy entry and exit.
- Full-length water-containment guard and weep channels redirect water into the base, providing four-sided water containment.
- Single threshold for alcove installation.
- Molded-in textured floor.
- Center drain.
- Three-sided integral flange.

Material

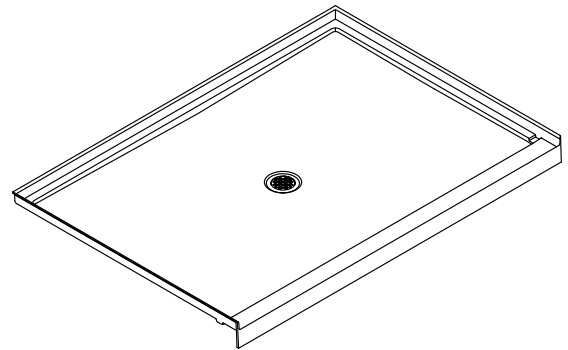
- Acrylic.

Installation

- Alcove.

Recommended Products/Accessories

- K-9132 Shower Drain
- K-23726 Drain treatment
- K-23732 Tub & shower cleaner



Codes/Standards

CSA B45.5/IAPMO Z124
ASTM E162
ASTM E662


STERLING® Vikrell® or Acrylic Baths and Shower Bases Ten-Year Limited Warranty

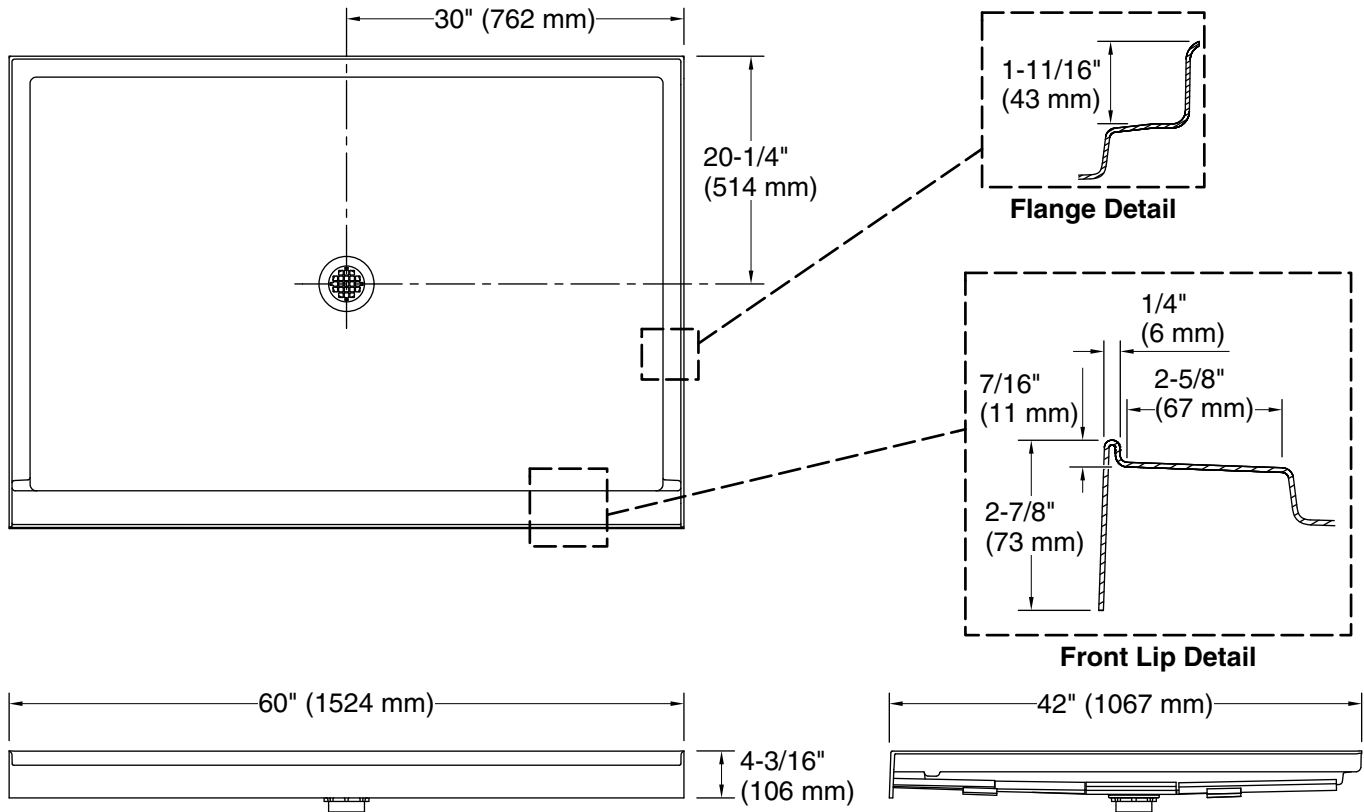
See website for detailed warranty information.

Available Colors/Finishes

Color tiles intended for reference only.

Color	Code	Description
-------	------	-------------

	0	White
---	---	-------



Technical Information

All product dimensions are nominal.

Installation: Three-wall alcove
 Drain location: Center
 Weight: 56.2 lbs (25.5 kg)

Notes

Install this product according to the installation instructions.
 Measure your actual product for rough-in details.
 Subfloor must be within 1/2" (13 mm) of level.
 This receptor has a front lip. This should be taken into account when installing a shower door.