



Windham™

Two-piece elongated 1.28 gpf toilet
402368

Features

- Two-piece design.
- Elongated bowl offers added room and comfort.
- Standard height.
- 2-1/8" (54 mm) fully glazed trapway.

Material

- Vitreous china.

Technology

- Pro Force® Plus flushing technology delivers greater flushing power than previous Pro Force® models.

Installation

- Three-bolt quick-connect installation.
- 14" (356 mm) rough-in.
- Seat and supply line sold separately.

Recommended Products/Accessories

K-20110 Brevia™ Quiet-Close™ Elongated Toilet Seat
K-4636 Cachet® Quiet-Close™ Elongated Toilet Seat
K-5420 Low-Profile Bolt Caps

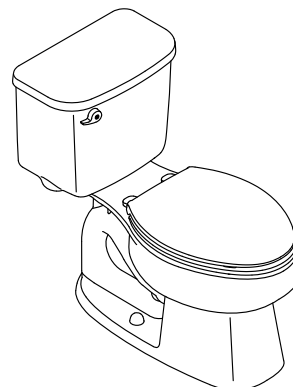
Included Components

Product consists of:

403217 Elongated toilet bowl
402365 1.28 gpf toilet tank

Additional Components:

Bolt cap accessory pack
Tank cover
Tank mounting pack
Trip lever



Codes/Standards



ASME A112.19.2/CSA B45.1
DOE - Energy Policy Act 1992
EPA WaterSense®
California Energy Commission (CEC)

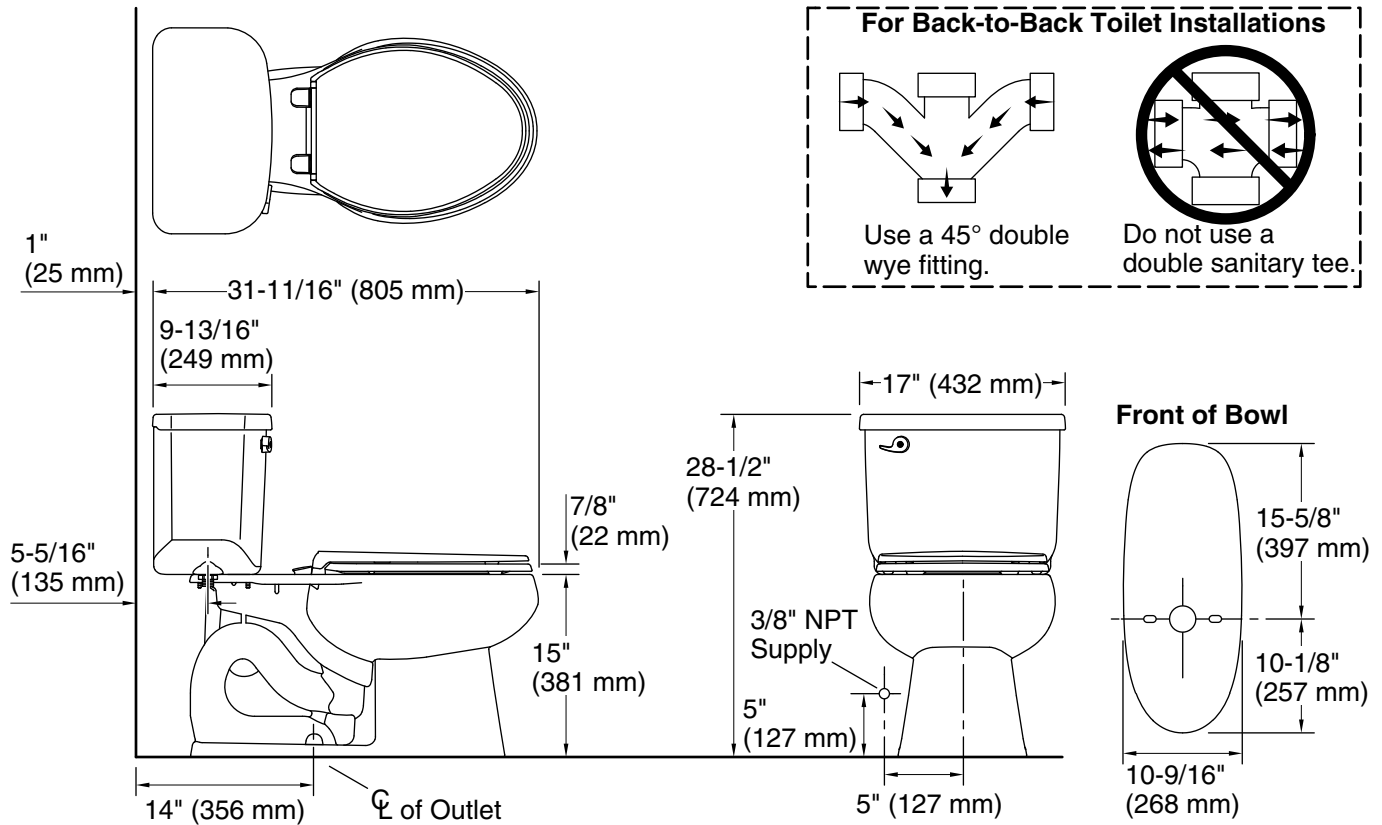
STERLING® One-Year Limited Warranty

See website for detailed warranty information.

Available Colors/Finishes

Color tiles intended for reference only.

Color	Code	Description
	0	White
	96	KOHLER Biscuit



Technical Information

All product dimensions are nominal.

- Toilet type: Two-piece, Floor-mount
- Waste Outlet: Floor
- Bowl shape: Elongated
- Flush type: Gravity siphon jet
- Trap passageway: 2-1/8" (54 mm)
- Water Consumption
 - Full: 1.28 gpf (4.8 lpf)
- Rim to water surface: 6-3/16" (157 mm)
- Rough-in: 14" (356 mm)

Notes

- Install this product according to the installation instructions.
- For back-to-back toilet installations: Use only a 45° double wye fitting.