



Windham™

Two-piece elongated toilet, 1.6 gpf
402325-WTL

Features

- Two-piece design
- Elongated bowl offers added room and comfort
- Comfort Height® feature offers chair-height seating that makes sitting down and standing up easier for most adults
- 1.6 gpf (6.0 lpf)
- Color-matched left-hand white trip lever included
- 2-1/8" (54 mm) fully glazed trapway
- Combination consists of 403317 bowl and 402363-WTL tank
- Pro Force® Plus flushing technology delivers greater flushing power than previous Pro Force® models

Installation

- Three-bolt quick-connect installation
- Standard 12" (305 mm) rough-in
- Seat and supply line sold separately

Recommended Products/Accessories

K-4774 Brevia™ Quick-Release™ elongated toilet seat

Included Components

402363-WTL Toilet tank, 1.6 gpf
403317 Elongated chair height toilet bowl



Codes/Standards

ASME A112.19.2/CSA B45.1
DOE - Energy Policy Act 1992
ADA
ICC/ANSI A117.1
CSA B651
OBC
IAPMO Certification

STERLING® Toilet Limited Warranty

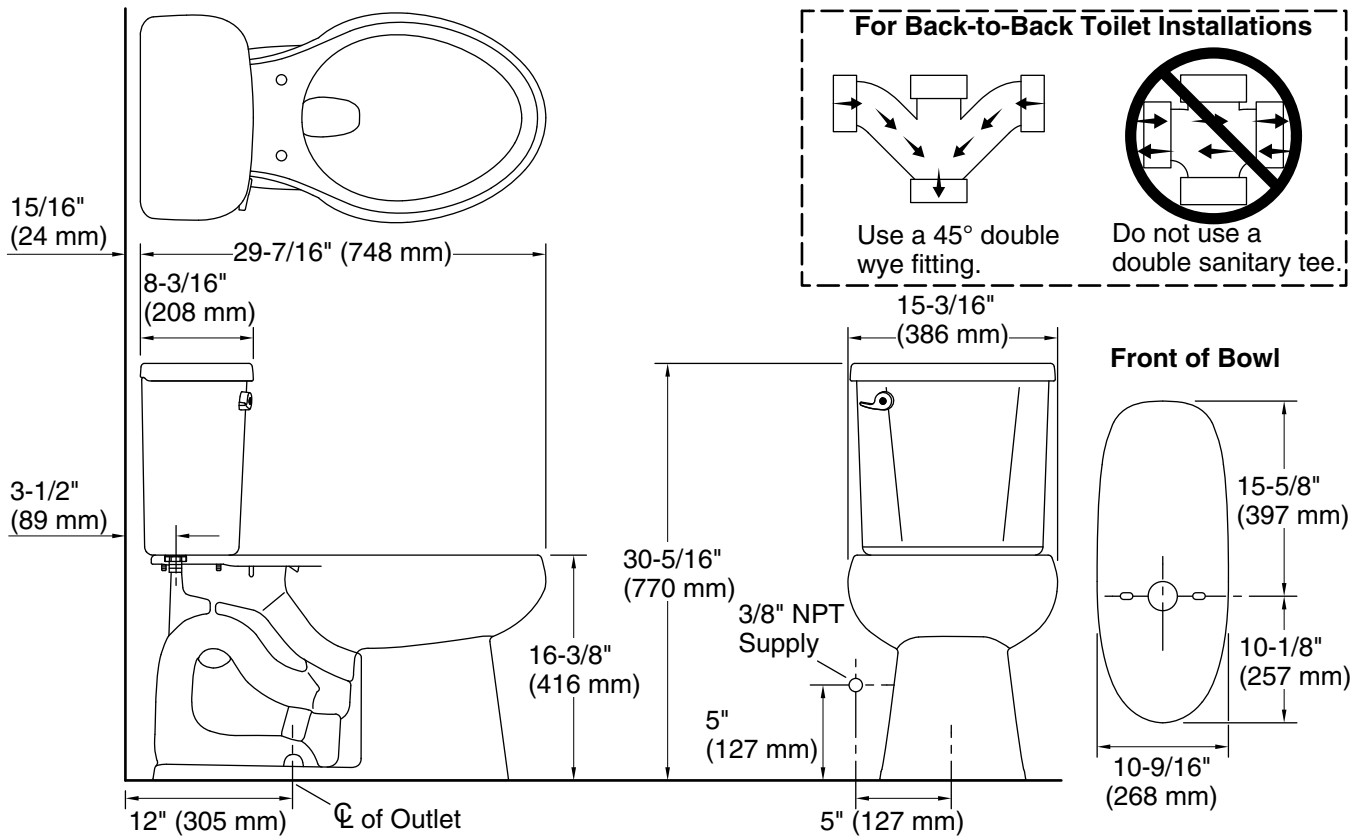
See website for detailed warranty information.

Available Colors/Finishes

Color tiles intended for reference only.

Color Code Description

■ 0 White



Technical Information

All product dimensions are nominal.

- Toilet type: Floor-mount
- Waste Outlet: Floor
- Flush type: ProForce Plus
- Trap passageway: 2-1/8" (54 mm)
- Rim to water surface: 6-1/4" (159 mm)
- Rough-in: 12" (305 mm)

Fixture Supply Requirements

- Min static pressure: 20 psi (137.9 kPa)
- Max static pressure: 80 psi (551.6 kPa)
- Min flowing pressure: 15 psi (103.4 kPa)
- Min flow rate: 1 gpm (3.8 lpm)

Notes

Install this product according to the installation instructions.

ADA, OBC, CSA B651 compliant when installed to the specific requirements of these regulations.

Plumbing codes may require elongated toilets and elongated, open-front seats in public bathrooms.

Accessibility standards may require controls to be located on the open side of the toilet.