



Windham™

round-front toilet
402320

Features

- Two-piece toilet.
- Round-front bowl offers an ideal solution for smaller baths and powder rooms.
- Standard height.
- 1.28 gallons per flush (gpf).
- 2-1/8" fully-glazed trapway.

Technology

- Pro Force® Plus flushing technology delivers greater flushing power than previous Pro Force® models.

Installation

- Three-bolt quick-connect installation.
- Standard 12" rough-in.
- Seat and supply line not included.

Recommended Products/Accessories

- K-4639 Cachet® Quiet-Close™ Round-Front Toilet Seat
- K-5589 Purefresh® Round-Front Toilet Seat
- K-76923 Puretide™ Quiet-Close™ round-front manual cleansing toilet seat
- K-5420 Low-Profile Bolt Caps

Included Components

Product consists of:

- 403017 round-front toilet bowl
- 402362 toilet tank

Additional Components:

- Bolt caps (pair)
- Left-hand Polished Chrome trip lever
- Tank cover
- Tank hardware accessory pack



Codes/Standards



- ASME A112.19.2/CSA B45.1
- DOE - Energy Policy Act 1992
- EPA WaterSense®
- California Energy Commission (CEC)

STERLING® Warranty - Toilets and Lavatories

See website for detailed warranty information.

Available Colors/Finishes

Color tiles intended for reference only.

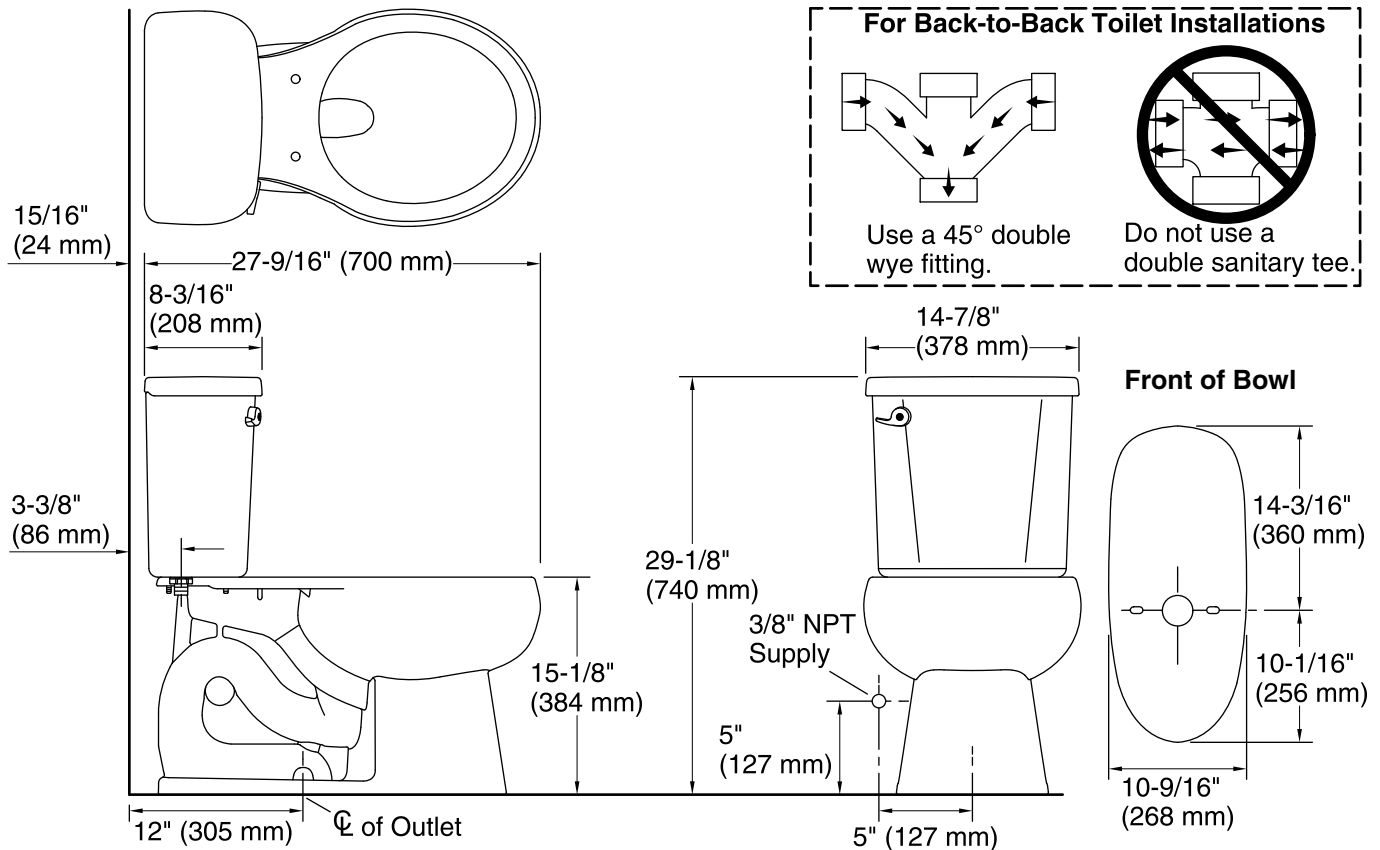
Color	Code	Description
	0	White
	96	KOHLER Biscuit

1-800-STERLING (1-800-783-7546)

Kohler Co. reserves the right to make revisions without notice to product specifications.

For the most current Specification Sheet, go to www.sterlingplumbing.com.

9-7-2019 10:30 - US



Technical Information

All product dimensions are nominal.

- Toilet type: Two-piece, Floor-mount
- Waste Outlet: Floor
- Bowl shape: Round-front
- Flush type: Flush Valve
- Trap passageway: 2-1/8" (54 mm)
- Water Consumption
 - Full: 1.28 gpf (4.8 lpf)
- Water surface size: 10" x 8" (254 mm x 203 mm)
- Rim to water surface: 6-3/16" (157 mm)
- Rough-in: 12" (305 mm)

Notes

- Install this product according to the installation instructions.
- For back-to-back toilet installations: Use only a 45° double wye fitting.