



Windham™

Two-piece round-front toilet, 1.28 gpf
402320-WTL

Features

- Two-piece design
- Round-front bowl offers an ideal solution for smaller bathrooms and powder rooms
- Standard height
- 1.28 gpf (4.8 lpf)
- Color-matched left-hand white trip lever included
- 2-1/8" (54 mm) fully glazed trapway
- Combination consists of the 403017 bowl and 402362-WTL tank
- Pro Force® Plus flushing technology delivers greater flushing power than previous Pro Force® models

Installation

- Three-bolt quick-connect installation
- Standard 12" (305 mm) rough-in
- Seat and supply line sold separately

Recommended Products/Accessories

K-4775 Brevia™ Quick-Release™ round-front toilet seat

Included Components

402362-WTL Toilet tank, 1.28 gpf
403017 Round-front toilet bowl



Codes/Standards

ASME A112.19.2/CSA B45.1
DOE - Energy Policy Act 1992
EPA WaterSense®
California Energy Commission (CEC)
IAPMO Certification

STERLING® Toilet Limited Warranty

See website for detailed warranty information.

Available Colors/Finishes

Color tiles intended for reference only.

Color	Code	Description
-------	------	-------------

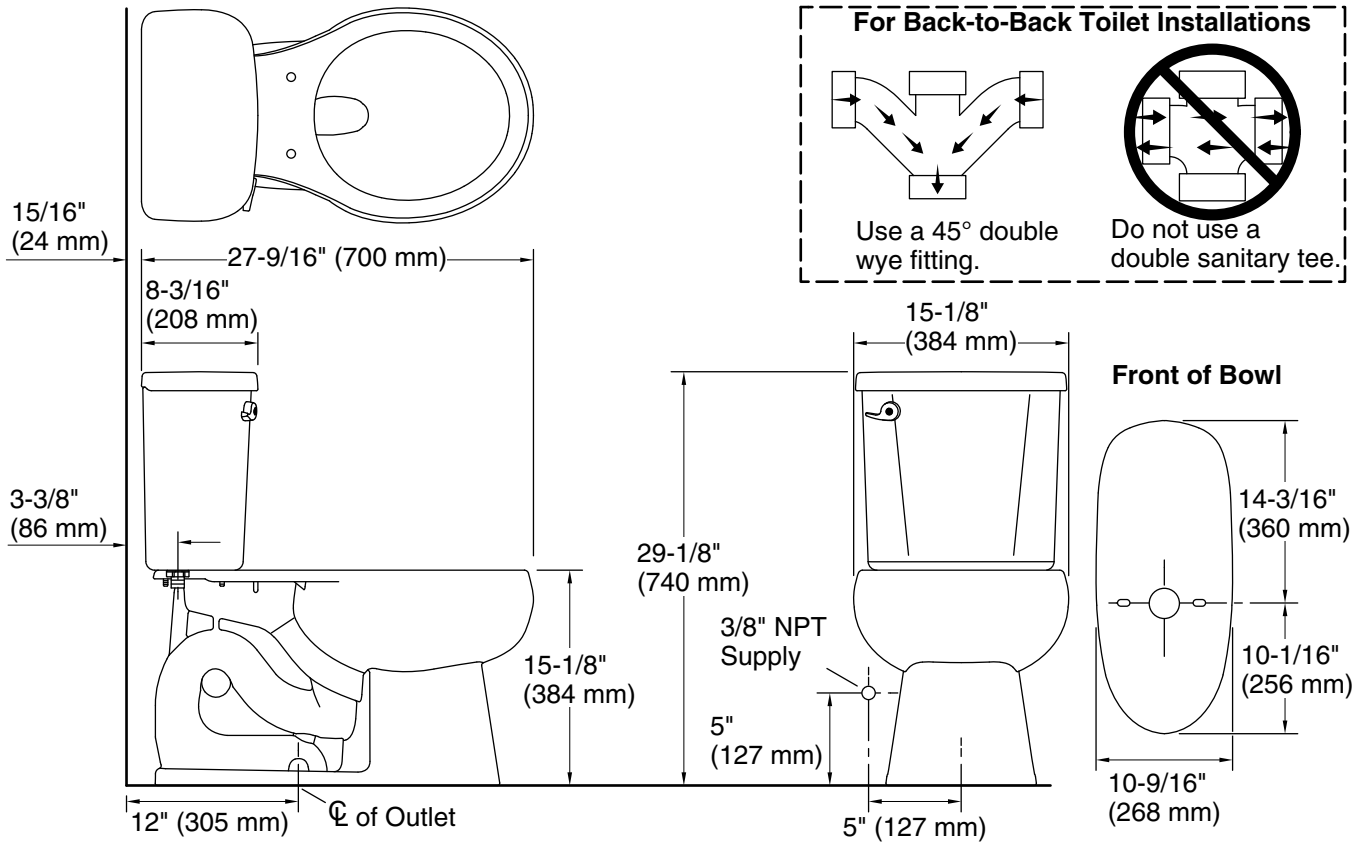
	0	White
---	---	-------

1-800-STERLING (1-800-783-7546)

Kohler Co. reserves the right to make revisions without notice to product specifications.

For the most current Specification Sheet, go to www.sterlingplumbing.com.

8-11-2024 00:27 - US/CA



Technical Information

All product dimensions are nominal.

- Toilet type: Floor-mount
- Waste Outlet: Floor
- Flush type: ProForce Plus
- Trap passageway: 2-1/8" (54 mm)
- Rim to water surface: 6-9/16" (167 mm)
- Rough-in: 12" (305 mm)

Fixture Supply Requirements

- Min static pressure: 20 psi (137.9 kPa)
- Max static pressure: 80 psi (551.6 kPa)
- Min flowing pressure: 15 psi (103.4 kPa)
- Min flow rate: 1 gpm (3.8 lpm)

Notes

Install this product according to the installation instructions.