



Valton™

Two-piece elongated dual-flush toilet 402318

Features

- Two-piece design.
- Elongated bowl offers added room and comfort.
- Top-mount two-button flush offers a choice of 0.9 gpf (3.4 lpf) or 1.28 gpf (4.8 lpf).
- 2" (51 mm) fully glazed trapway.
- Combination consists of the 403378 bowl and 404553 tank.

Technology

- Dual-flush technology allows you to choose between a full or partial flush.
- Pro Force® Plus flushing technology delivers greater flushing power than previous Pro Force® models.

Installation

- Standard 12" (305 mm) rough-in.
- Three-bolt quick-connect installation.
- Seat and supply line sold separately.

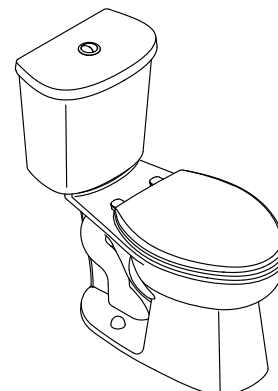
Recommended Products/Accessories

K-20110 Brevia™ Quiet-Close™ Elongated Toilet Seat
K-4636 Cachet® Quiet-Close™ Elongated Toilet Seat
K-5420 Low-Profile Bolt Caps
K-23726 Drain treatment
K-186 Dual Flush Actuator

Included Components

Product consists of:

403378 Elongated toilet bowl
404553 Toilet tank



Codes/Standards

ASME A112.19.2/CSA B45.1
ASME A112.19.14
DOE - Energy Policy Act 1992
EPA WaterSense®
California Energy Commission (CEC)

STERLING® Toilets and Toilet Seats Limited Warranty

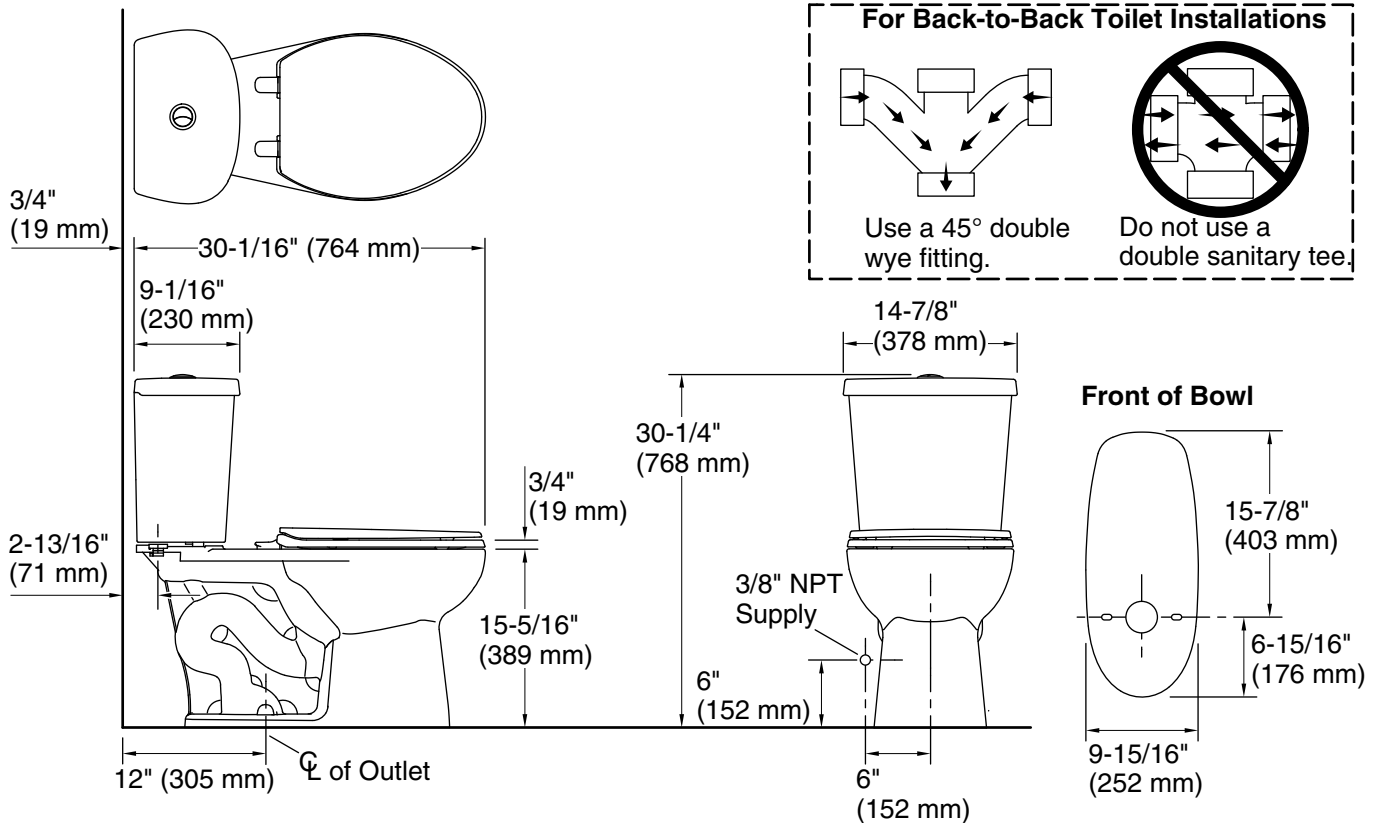
See website for detailed warranty information.

Available Colors/Finishes

Color tiles intended for reference only.

Color	Code	Description
-------	------	-------------

	0	White
-------------------------------------------------------------------------------------	---	-------



Technical Information

All product dimensions are nominal.

- Toilet type: Floor-mount
- Waste Outlet: Floor
- Bowl shape: Elongated
- Flush type: Gravity siphon jet
- Trap passageway: 2" (51 mm)
- Water Consumption
 - Full: 1.28 gpf (4.8 lpf)
 - Reduced: 0.9 gpf (3.5 lpf)
- Rim to water surface: 5" (127 mm)
- Rough-in: 12" (305 mm)

Fixture Supply Requirements

- Min static pressure: 15 psi (103.4 kPa)
- Max static pressure: 80 psi (551.6 kPa)

Notes

- Install this product according to the installation instructions.
- For back-to-back toilet installations: Use only a 45° double wye fitting.