



**Gunnison™**

33-1/2" undermount double-bowl kitchen sink  
**34297**

### Features

- 36" minimum base cabinet width
- Large/medium bowls
- Large bowl depth: 9-1/2" (241 mm); small bowl depth: 7-1/2" (191 mm)
- Versatile design allows large bowl to be installed on the right or left
- Slim divider creates more space while allowing you to completely submerge pots and pans
- Offset drain in larger bowl increases workspace in the sink
- Matte finish offers rich, dimensional color
- Includes installation hardware

### Material

- Composite material is durable and built to withstand day-to-day cleaning tasks
- Solid color throughout the sink
- Heat-resistant up to 750°F
- Scratch-, stain-, chip-, and thermal-shock-resistant

### Installation

- Undermount

### Recommended Products/Accessories

- K-5198 Sink Rack
- K-8801 Sink drain and strainer with tailpiece
- K-8799 Sink drain and strainer basket
- K-23726 Drain treatment
- K-23730 Neoroc® cleaner
- K-5655 Sink Rack

### Optional Products/Accessories

- K-11352 Disposal Flange with Stopper
- K-9000 P-Trap

### Codes/Standards




CSA B45.5/IAPMO Z124  
IAPMO Certification

### STERLING® Vikrell® or Acrylic Kitchen and Utility Sinks Lifetime Limited Warranty

See website for detailed warranty information.

### Available Colors/Finishes

*Color tiles intended for reference only.*

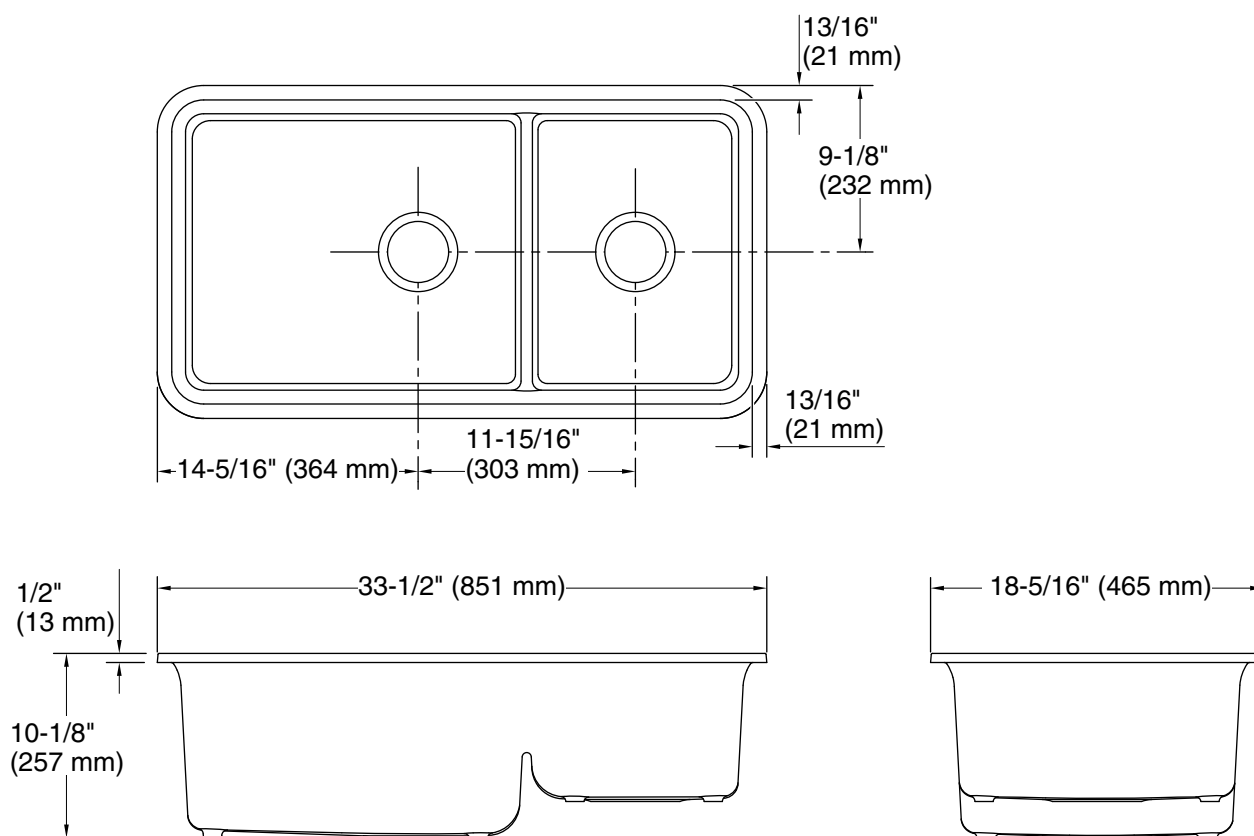
Color	Code	Description
	CM6	Matte White
	CM4	Matte Grey
	CM1	Matte Black

1-800-STERLING (1-800-783-7546)

Kohler Co. reserves the right to make revisions without notice to product specifications.

For the most current Specification Sheet, go to [www.sterlingplumbing.com](http://www.sterlingplumbing.com).

4-16-2024 20:20 - US



**Technical Information**

All product dimensions are nominal.

Bowl configuration: Off-set Large/small

Min. base cabinet width: 36" (914 mm)

Bowl area (Basin #1):  
Length: 18-7/16" (468 mm)  
Width: 15-3/16" (386 mm)  
Bowl depth: 9-1/2" (241 mm)  
Water depth: 9-1/2" (241 mm)

Bowl area (Basin #2):  
Length: 11-5/16" (288 mm)  
Width: 15-3/16" (386 mm)  
Bowl depth: 7-1/2" (191 mm)  
Water depth: 7-1/2" (191 mm)

Drain hole: 3-7/8" (98 mm)

Template: Undermount, 1583721-7, required, not included

**Notes**

Install this product according to the installation instructions.