



Ludington™

32" undermount double-bowl kitchen sink

32024

Features

- 36" (914 mm) minimum base cabinet width
- Double-equal bowls
- 6" (152 mm) depth
- No faucet holes; requires wall- or counter-mount faucet
- Rear drains increase workspace in the sink and storage space underneath
- Includes installation hardware
- Sink drain with strainer sold separately

Material

- Premium 18-gauge stainless steel

Installation

- Undermount

Recommended Products/Accessories

- 7400 Stainless Steel Sink Drain and Strainer
- K-23726 Drain treatment
- K-23729 Stainless steel cleaner

Optional Products/Accessories

- K-6641 Stainless steel sink rack



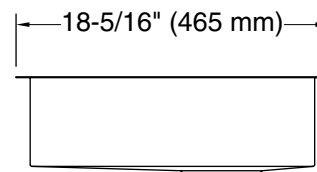
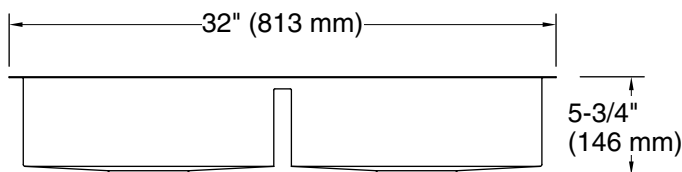
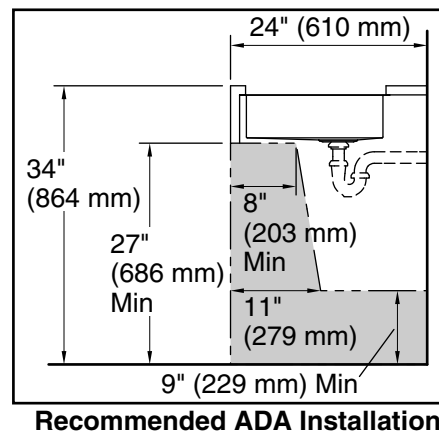
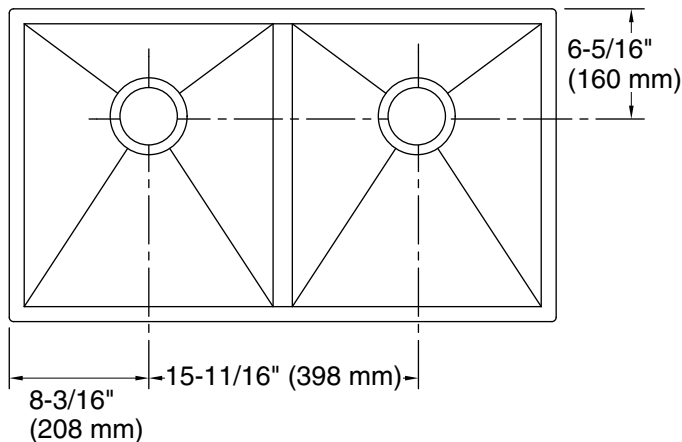
ADA

Codes/Standards

- ASME A112.19.3/CSA B45.4
- ADA
- ICC/ANSI A117.1

STERLING® Stainless Steel Sinks Lifetime Limited Warranty

See website for detailed warranty information.



Technical Information

All product dimensions are nominal.

Bowl configuration: Double equal

Installation: Undermount

Min. base cabinet width: 36" (914 mm)

Bowl area (Left): Length: 16-9/16" (420 mm)
Width: 14-9/16" (370 mm)
Bowl depth: 5-7/16" (138 mm)

Bowl area (Right): Length: 16-9/16" (420 mm)
Width: 14-9/16" (370 mm)
Bowl depth: 5-7/16" (138 mm)

Drain hole: 3-3/4" (94 mm)

Template: Undermount, 1298947-7, required, included

Notes

Install this product according to the installation instructions.

ADA compliant when installed to the specific requirements of these regulations.