

STERLING®

A KOHLER COMPANY

Features

- Drawn from 22 gauge - type 301 (18-7) series nickel-bearing stainless steel
- Mirror finish or satin finish
- Oval sink design
- Oval flat rim
- Top-mount or under-mount
- Stud mounting (top-mount only)
- Includes SilentShield® sound-absorption technology
- 13-1/4" (337 mm) x 10-1/2" (267 mm) x 5" (127 mm)

Codes/Standards Applicable

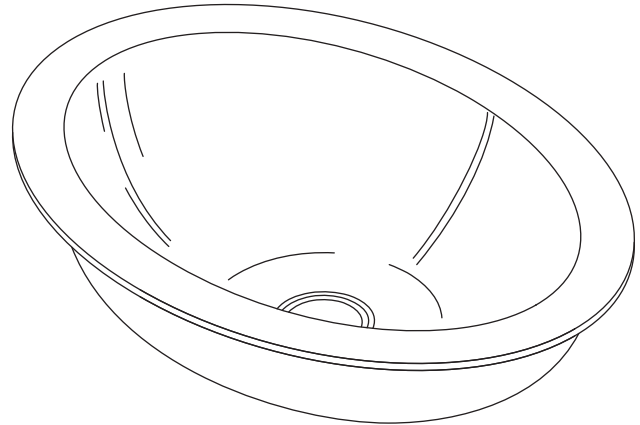
Specified model meets or exceeds the following:

- ASME A112.19.3/CSA B45.4

STAINLESS STEEL OVAL SINK

1181-0

ALSO 1186-0, 11811-0



Colors/Finishes

- NA: None applicable

Specified Model

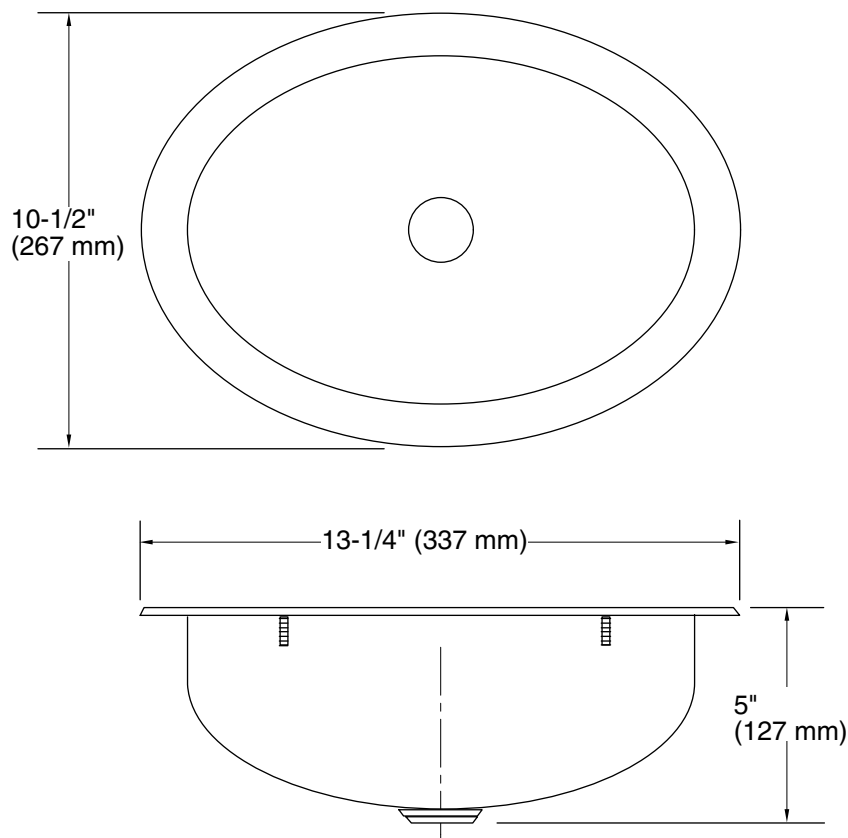
Model	Description	Holes	Quantity	Basin Depth	Colors/Finishes
1181-0	Stainless steel oval sink, with mirror basin	0	6	5" (127 mm)	<input type="checkbox"/> NA
1186-0	Stainless steel oval sink, with satin basin	0	6	5" (127 mm)	<input type="checkbox"/> NA
11811-0	Stainless steel oval sink, with mirror basin	0	1	5" (127 mm)	<input type="checkbox"/> NA

Technical Information

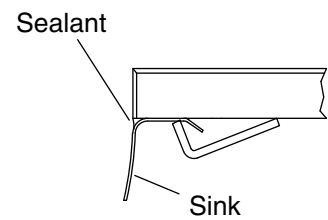
Fixture*:	Cutout size	Basin area
Sink	Cutout to shape	NA
Drain hole	Ø 1-3/4" (44 mm)	
* Approximate measurements for comparison only.		

Installation Notes

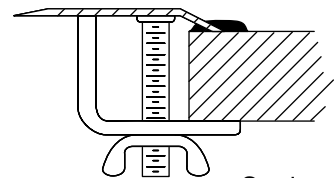
Install this product according to the installation guide.



Product Diagram



Under-Mount Installation



Stud mounting provides easy installation

Top-Mount Installation