



WAVE INTEGRATED SHOWER ARM AND SHOWERHEAD

ROHL Modern Bath

WA1319

FEATURES

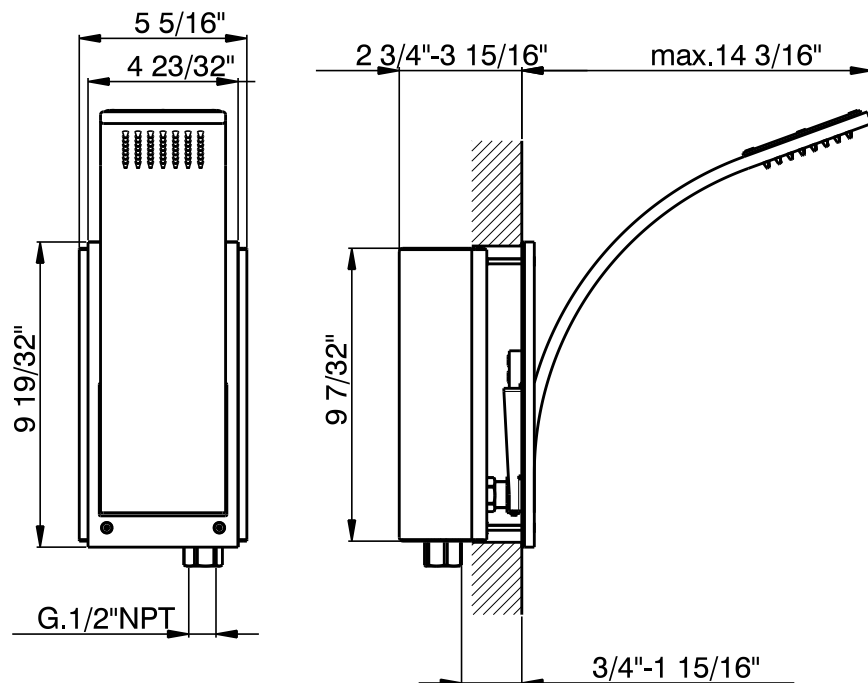
- Brass construction
- Flexible calcium resistant nozzles on spray face allow for easy removal of hard water build up
- Adjustable single-function Classic Spray showerhead pivots 20°
- Flow rate 2.0 GPM
- 5 5/16" wide wall plate
- 1/2" connection
- 14 3/16" maximum projection from wall
- 9 7/32" high wall plate
- Flush mount
- Must be installed at framing stage

COLORS/FINISHES

- Polished Chrome
- Satin Nickel

WARRANTY

- Limited Lifetime



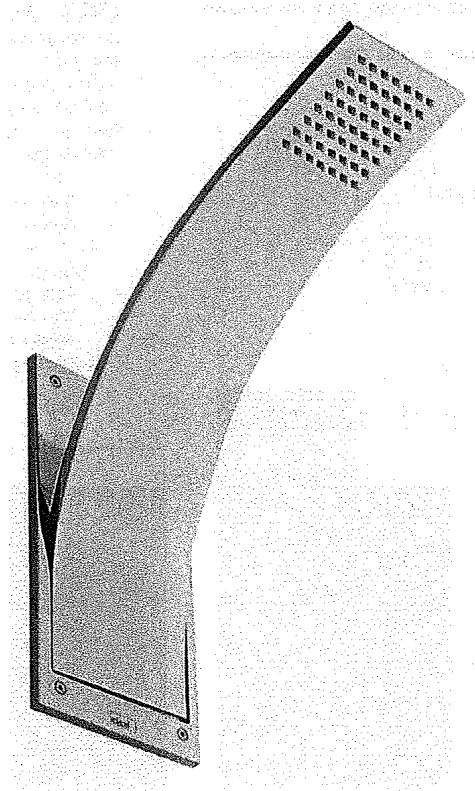
ROHL

The Experience of Authentic Luxury™

www.rohlhome.com

INSTALLATION INSTRUCTIONS

GB TECHNICAL PRODUCT INFORMATION



INSTALLATION INSTRUCTIONS

**COMPLETE WALL
INCLUDING THE COATING**

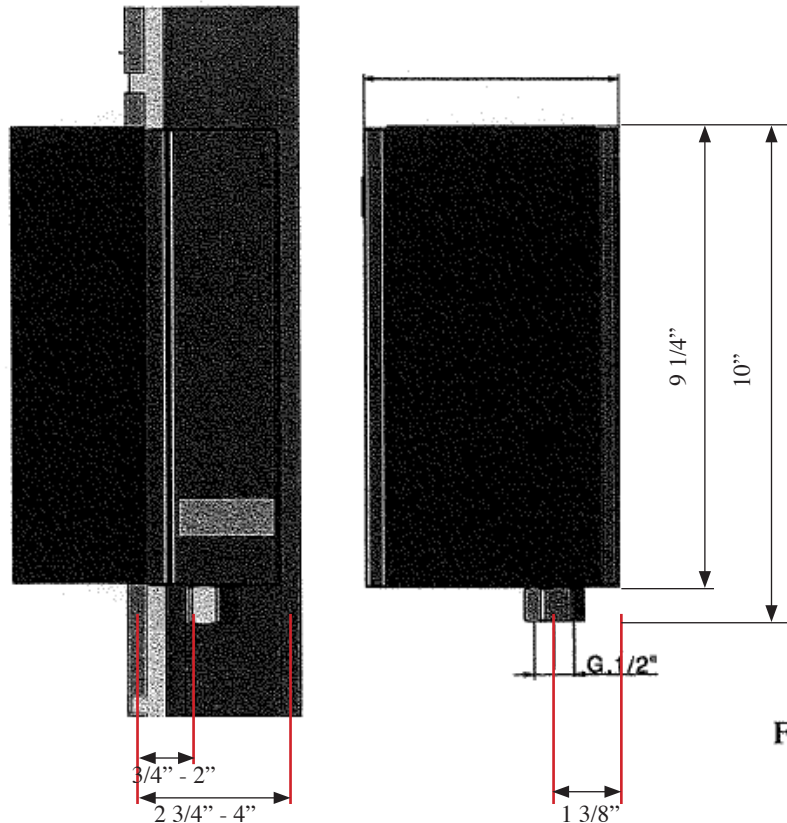


Fig. 1

(GB) PRELIMINARY INFORMATION

Mixers of the WAVE series are fit to operate with hot water accumulators under pressure, electric and gas instant water heaters.

WARNING: it is not possible to connect them to hot water accumulators without pressure (with open circuit)

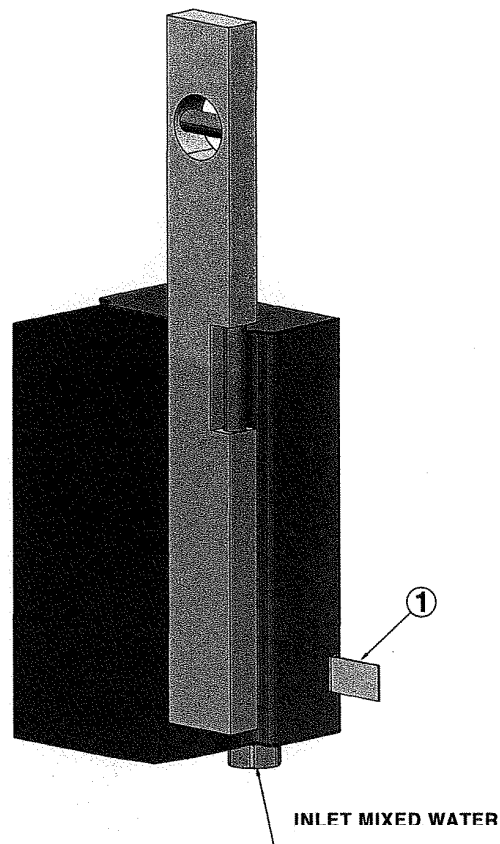
TECHNICAL DATA

- Minimum dynamic pressure.....7 PSI
- Maximum operational pressure/static.....145 PSI
- Recommended operational pressure (static)....14.5-72 PSI
(N.B.: for pressure higher than 72 PSI we suggest the installation of a pressure reducer)
- Maximum test pressure (static).....232 PSI
- Maximum hot water temperature.....176 F
- Suggested hot water temperature.....140 F

(for energy saving)

INSTALLATION INSTRUCTIONS

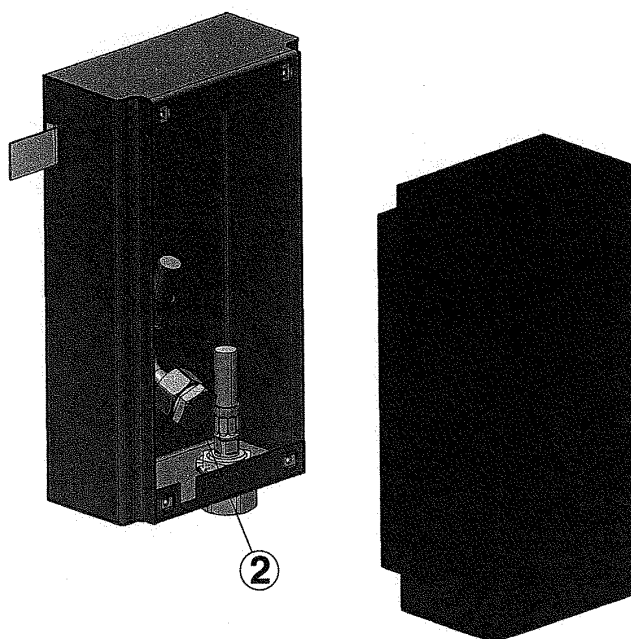
3



(GB)

- Fold up the two small fixing wings
- Prepare an appropriate hole in the wall and insert inside the built-in body with the protection MOUNTED. Installation rates are indicated in Fig.1 (allowed built-in depth means at finished wall level surface including coating).
- Level the built-in body and connect water delivery. **WARNING:** do not make welds between the built-in bodies and the pipes.

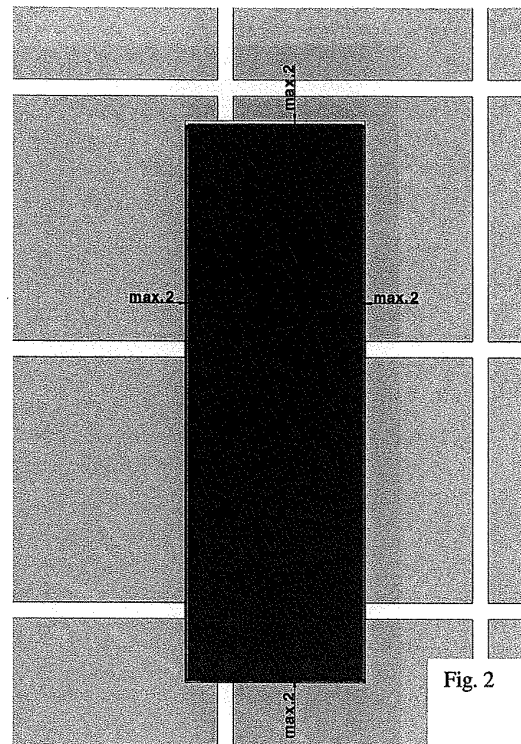
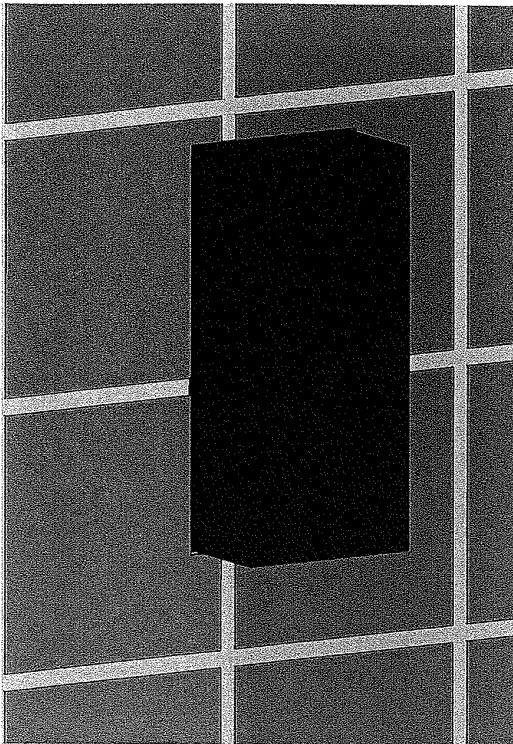
INSTALLATION INSTRUCTIONS



(GB)

- Remove the polystyrene protection and check that the plug is inserted (2).
- put the plant under pressure and check the tightness (maximum test pressure 16 bar static).

INSTALLATION INSTRUCTIONS

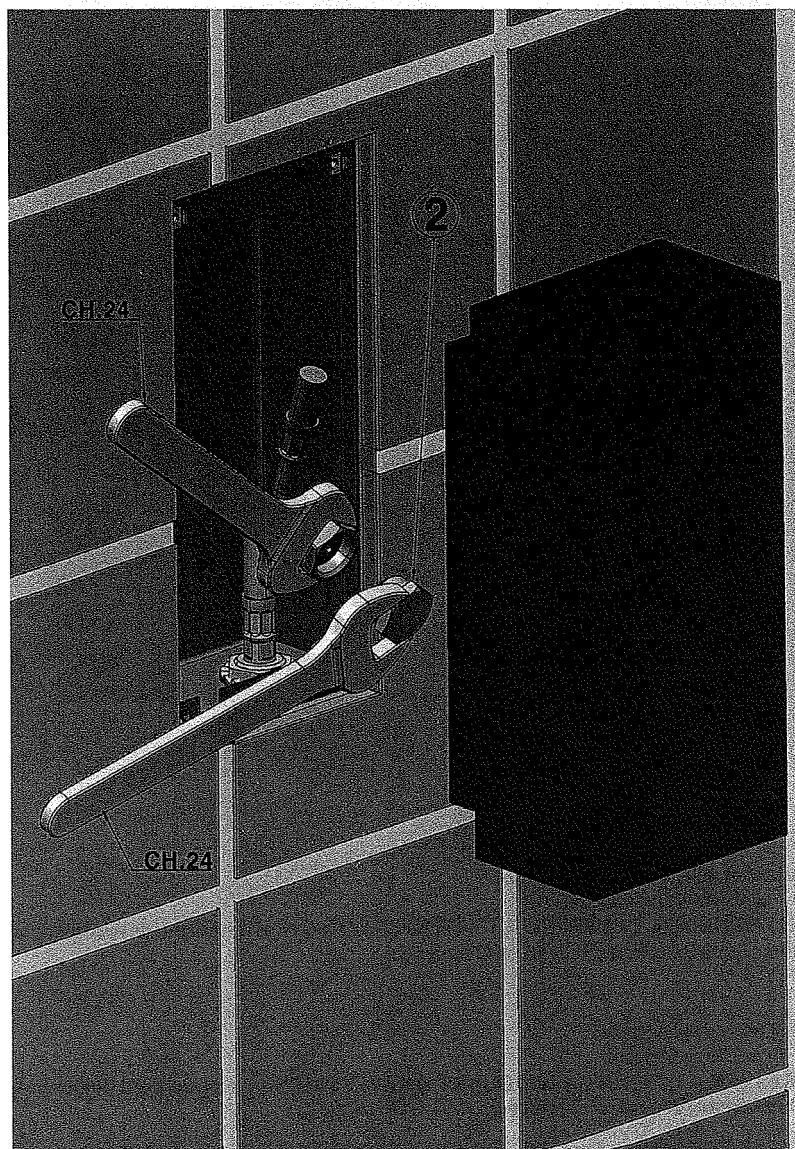


(GB)

- Assemble the polystyrene protection again.
- Finish the plaster and put the coating.

IMPORTANT! WHO MAKES THE COATING MUST CAREFULLY READ: the coating must copy the polystyrene pattern with maximum 2 mm air between the parts (see picture 2).

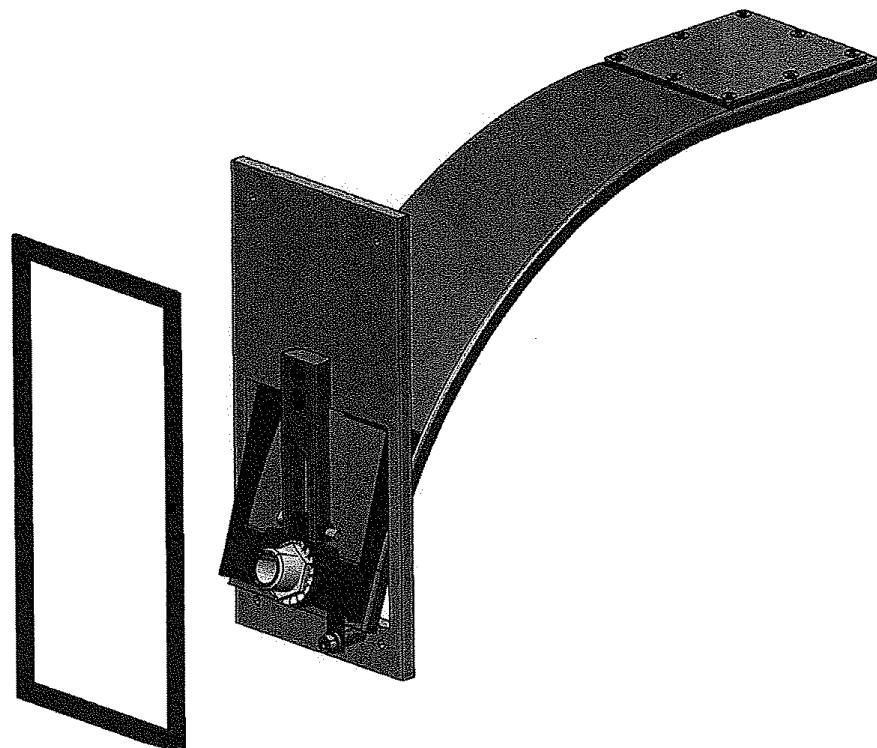
INSTALLATION INSTRUCTIONS



(GB)

- When the coating is over remove the polystyrene protection.
- Unscrew the plug (2) with 24 mm wrenches

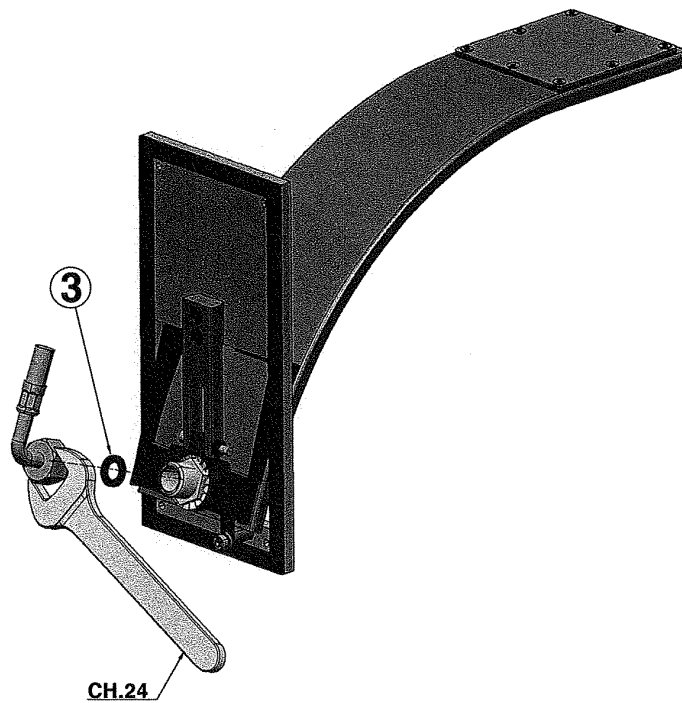
INSTALLATION INSTRUCTIONS



(GB)

- Put the self-adhesive packing on the back of the plate.

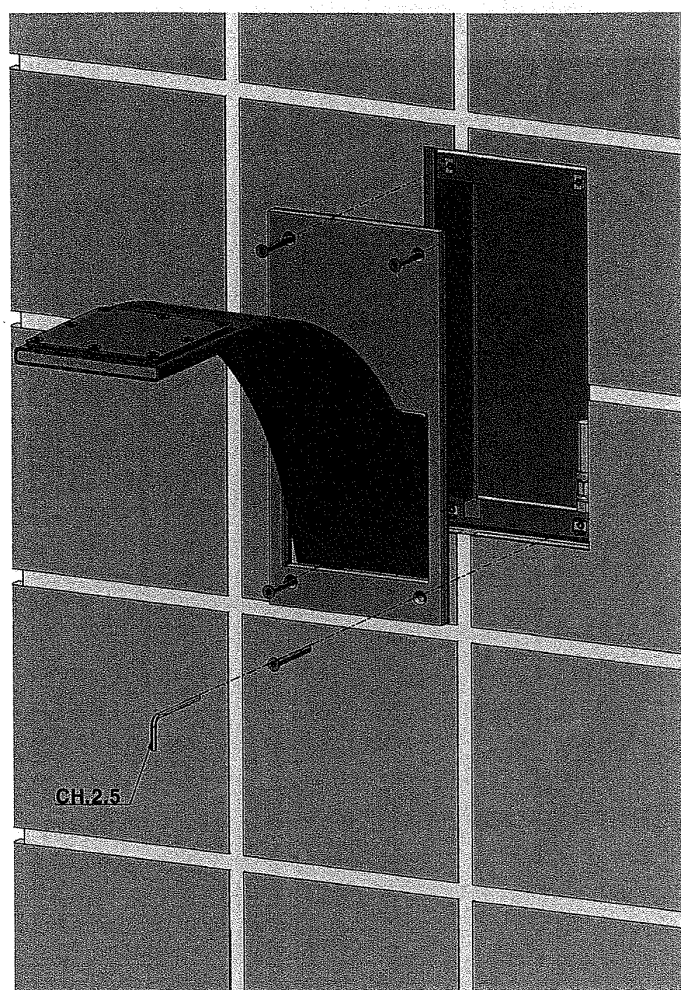
INSTALLATION INSTRUCTIONS



(GB)

- Connect the supply hose of the mixed water to the connection of the shower arm; tightening the G.1/2" nut with a 24 mm wrench (insert the seal gasket [3] between nut and connection).

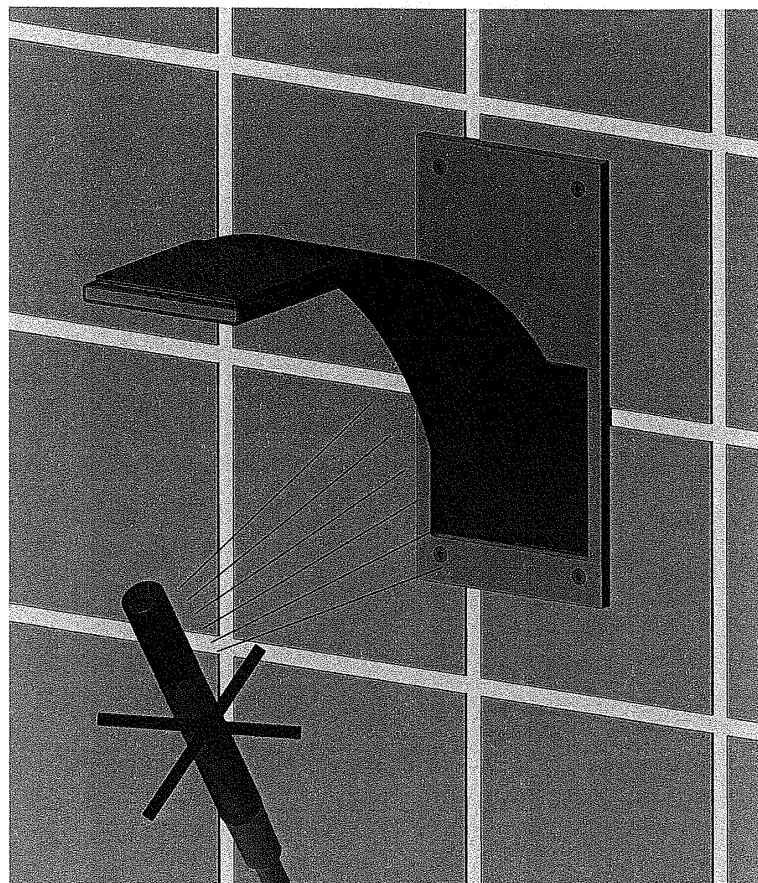
INSTALLATION INSTRUCTIONS



(GB)

- Fix the plate to the concealed body; tightening the screws with an Allen 2,5 wrench.

INSTALLATION INSTRUCTIONS



(GB)

During the use and cleaning; carefully avoid to turn straight the shower's spray to the shower column in order to prevent possible water's infiltrations in the wall. For the faucet's cleaning; we suggest the use of a wet cloth.