



ARCANA EXPOSED TUB SET WITH HANDSHOWER AND FLOOR PILLAR LEGS

ROHL Country Bath Arcana

ACKIT7383X

FEATURES

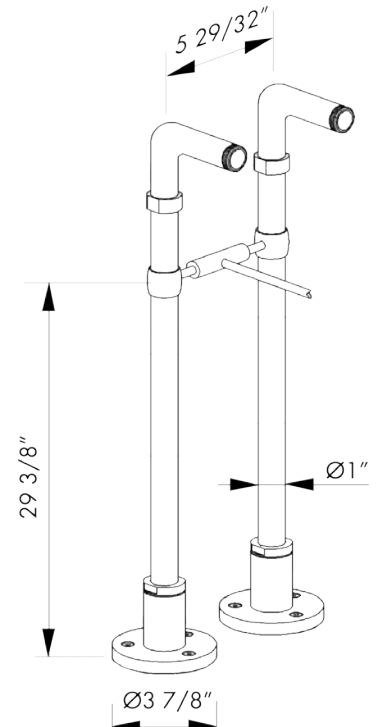
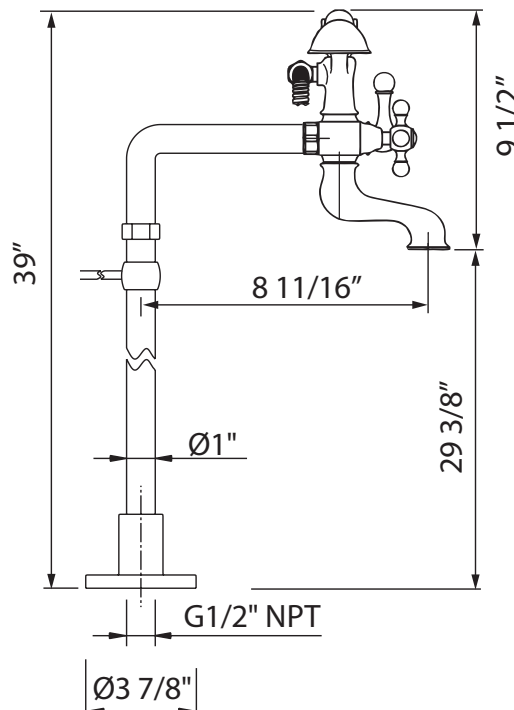
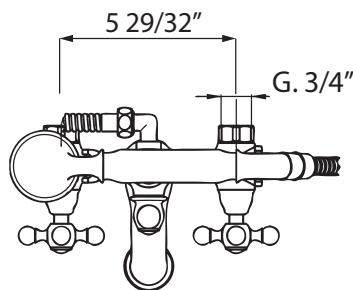
- Floor mounted exposed two handle tub filler with cradle and single-function brass handshower with metal insert for LM and porcelain for LP/XM
- 5 29/32" center to center
- Fixed center to center measurements
- Maximum male stub out 9/16"
- Floor legs can not be cut down
- 8GPM
- For wall or deck applications, call ROHL
- 39 3/8" length hose
- Decorative shut offs available (order two for a set)
 - ZA10384021-APC
 - ZA1038402B-PN
 - ZA1038402Z-IB
 - ZA1038402A-STN
 - ZA1038402V-TCB
- 2" C7205EXT Straight union extension available
- Kit includes:
 - AC7X
 - ZA383

COLORS/FINISHES

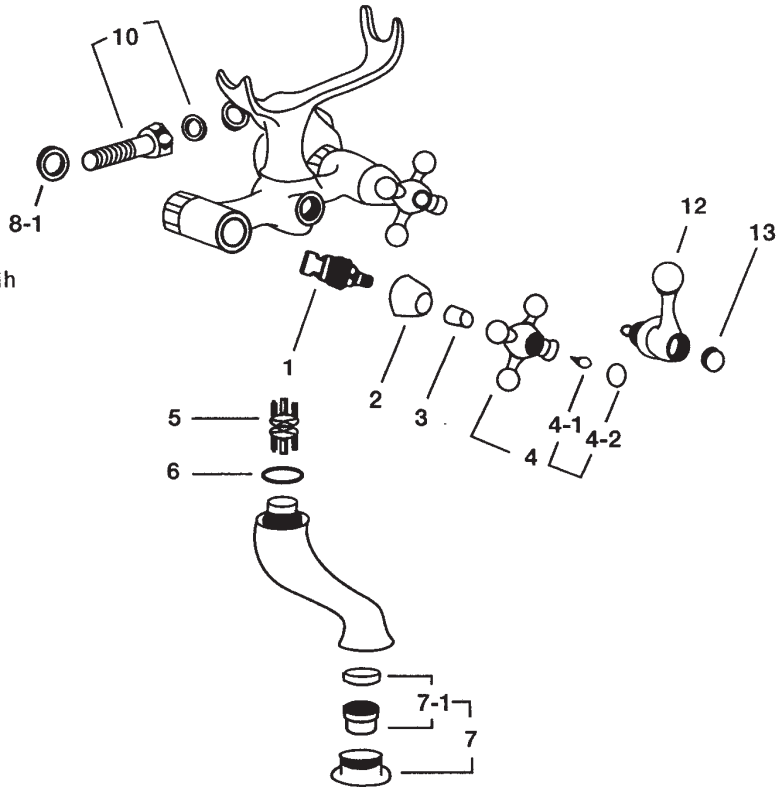
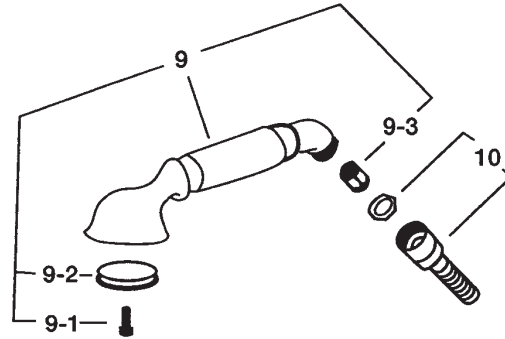
- Polished Chrome
- Polished Nickel
- Satin Nickel
- Inca Brass
- Tuscan Brass

WARRANTY

- Limited Lifetime



AC7X Spare parts

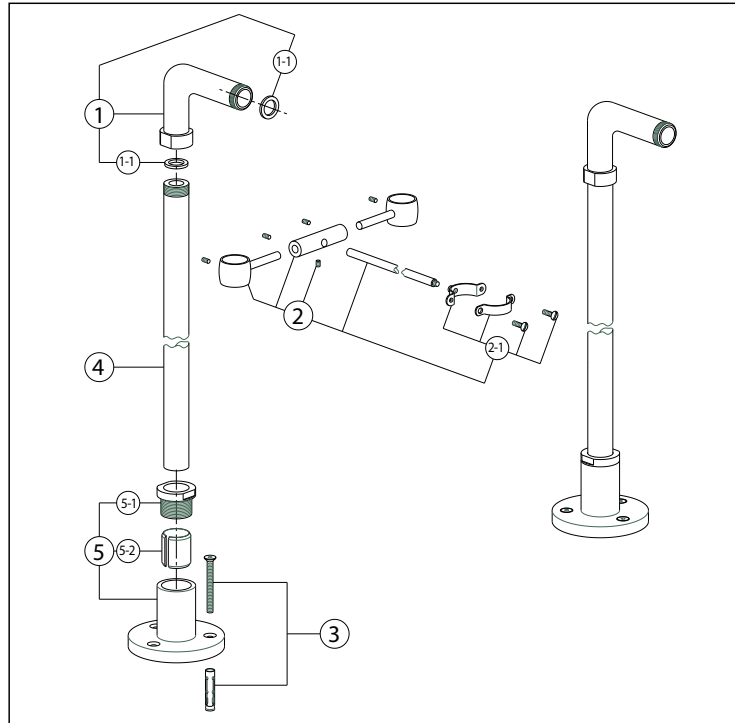


PARTS LIST FOR AC7X

1 Ceramic headvalve	ZZ92907021h
2 Escutcheon	ZZ926520
3 Sliding cover tube	ZZ926190
4 Handle with screw plate	ZZ903070
4-1 Screw M4.5X10	ZZ926090
4-2 Cap for handle	ZZ926170
5 Diverting valve for mixer	ZZ927790
6 Rubber gasket	ZZ926920
7 Overfill-flow straightener M.28X1	ZZ927840
7-1 Cartridge	ZZ926940
8-1 Gasket 24X16X2.7	ZZ926890
9 Handshower	ZZ900780
9-1 Screw 3/16" x 15.5	ZZ926400
9-2 Faceplate	ZZ905440
9-3 BackFlow Valve	ZZ929560
10 Hose 150cm 14 1/2" x 1/2"	ZA009010
12 Diverter with handle	ZZ90257
13 Screw cover cap for diverter handle	ZZ926170

Installation Instructions

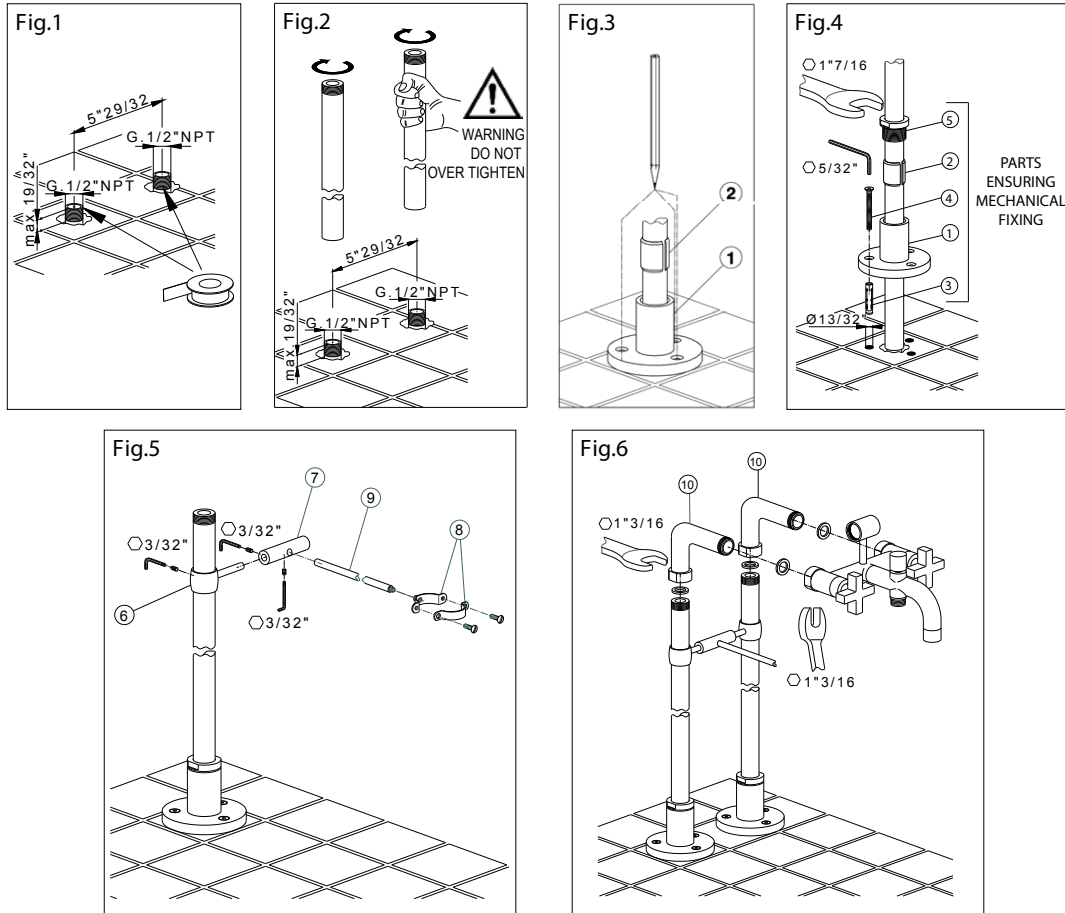
SPARE PARTS FOR ZA 383 FLOOR LEGS



POS.	DESCRIPTION	CODE
1	90° union pillar leg	ZZ 93750 0
1-1	Gasket NBR 90 SH. 24x16x2,7	ZZ 92689 0
2	Waste tube connection	ZZ 94083 0
2-1	Waste tube connection	ZZ 94127 0
3	Installation set	ZZ 94343 0
4	G1/2" NPT floor pillar leg	ZZ 94355 0
5	Base for floor pillar leg	ZZ 94356 0
5-1	Fixing ring	ZZ 94357 0
5-2	Cut bush	ZZ 94358 0

Installation Instructions

ASSEMBLY INSTRUCTIONS FOR ART. ZA10383



Installation requirements: 2 x 1/2" NPT male stub outs at 5 29/32" centers

Please note: if installing with an Italian Country Bath exposed tub filler you must install a set of adaptors, C5574EXT

Fig. 1 Apply Teflon tape to the male connection.

Fig. 2 Hand tighten, then turn with a strap wrench 1/2 to 3/4 turn to make a seal.
WARNING: Do not over tighten. Over tightening could cause the brass to crack.
Test for leaks before installing floor escutcheons.

Please note that the threaded connection only ensures hydraulic water tightness, please note that mechanical fixing of floor legs is ensured by the whole part assembly of components listed as 1-2-3-4-5 in Picture 4.

Fig. 3 Slide on base escutcheons (1) and the cut bushings (2).
 Mark the screw holes for drilling.

Fig. 4 Drill a hole using a 13/32" drill and install floor anchors (3).
 Slide the base escutcheons (1) to the floor, align with holes and tighten allen screws (4) using a 5/32" wrench.
 Insert the cut bushings (2) into the base escutcheons (1) and slide on the threaded ring (5). tighten using a 1 7/16" wrench.

Fig. 5 Install waste tube connection rings (6) into the horizontal sleeve (7) and slide onto pillar legs
 Screw the clamp (8) to the rod (9) and install the clamp with the rod (8 & 9) onto the horizontal sleeve (7)
 Use the clamp to anchor the frame to the overflow pipe of the tub drain
 Square off the installation and tighten allen screws using a 3/32" wrench.

Fig. 6 Install elbow unions (10) to pillar legs, using a 1 3/16" wrench, ensuring that all washers create a seal.
 Install tub faucet to elbow unions using a 1 3/16" wrench, ensuring all washers create a seal

Cod. 0101034000 Ed.08.14

Installation Instructions

Care and use for finishes

Country Bath Products are all authentic finishes that have not been coated with any product.

After each use, pat the fixture down to remove any excess water. This will prevent any water spotting or mineral build-up. Use only soft liquid soap and water to clean the surface. Use a soft brush to clean any gaps. Avoid any products that have ammonia or alcohol like Windex, 409 or Fantastik. These products can damage the finish leaving black or white spots. Never use an abrasive product like Softscrub, Comet, Ajax or Bon Ami.

For deep polishing we recommend Bruno's Wax for all finishings.

Tuscan Brass is a living finish and has no warranty. It will lighten with use. To extend the life of the finish, apply Bruno's Wax by patting it on, letting it dry and patting it off. Never rub or buff this finish.

WARNING: the use of cleaning products not recommended might irreparably harm the surfaces of the faucets which in such case are not covered by our warranty.

Limescale

The faucet is fitted with an aeration device in the Hot/Cold water outlet.

This may need occasional cleaning especially in hard water areas.

This is accomplished by unscrewing the outlet in a counter clockwise direction, dismantling and leaving the inner screen mesh immersed over night in vinegar or lemon juice.

Do not use chemical descaling liquids for this purpose.

Installation Instructions

ATTENTION

READ THESE INSTRUCTIONS BEFORE INSTALLATION AND USE OF ALL FAUCETS AND WALL VALVES

INSTALLATION and WARRANTY INSTRUCTIONS TECHNICAL INFORMATION

All flexible hoses are designed and manufactured for use with water in exposed locations only. **Do not expose** to household cleaners, chlorine, chloride, hydrochloric acid or other corrosive chemicals.

- All connections with threads M10x1 male must be hand tighten. **Do not over tighten. Over tightening may cause damage to the hose.**

All faucets washers and o-rings are designed and manufactured for use with water. **Do not expose** to household cleaners, chlorine, chloride, hydrochloric acid or other corrosive chemicals.

Faucets are designed for use with the temperatures and pressures listed below:

- minimum cold water supply 50 °F
- maximum hot water supply 145 °F
- minimum pressure 15 psi
- maximum pressure 75 psi
- maximum fixing torque value = 10 lbf.ft.
-

Please note: The recommended best pressure for best performance is between 40 psi and 60 psi. More pressure than 60 psi or less pressure than 40 psi may affect the diverting action in side spray faucets.

- Do not use any Rohl Country/ Nicolazzi faucet with sulphurous water.
- The minimum temperature for all faucets is 50 degrees F. Below 50 degrees F will void the warranty.
- When available, filter systems must be placed between hot and cold supply lines and the faucet. Improper use or non-use of filters may make diverting faucets with hand sprays perform poorly.
- Don't modify faucet and their components
- Use only original spare parts if there are replacements to be ordered.
- Installation must be made by authorized plumbers or installers. Improper installation or diagnosis of problems is not covered by the warranty.
- Yearly maintenance of cleaning and flushing is recommended.

Operation and use of any faucet or wall valve that do not conform to these technical instructions will void the warranty.