

ROHL

Authentic Luxury for Kitchen and Bath™

www.rohlhome.com



3-Hole Widespread Faucet

ROHL Cisal Bath

- AC107L*** (Ornate Metal Lever)
- AC107LM*** (Classic Metal Lever)
- AC107X*** (Cross Handle)
- AC107LP*** (White Resin Lever)

FEATURES

- 3 x 1 3/8" cutouts
- 1/4-turn ceramic disc valves
- Fixed spout
- Pop-up drain, 1 1/4" pipe
- Spout, valve housing, and pop-up made from solid brass
- 7 1/2" overall height
- 1.5 GPM

FINISHES

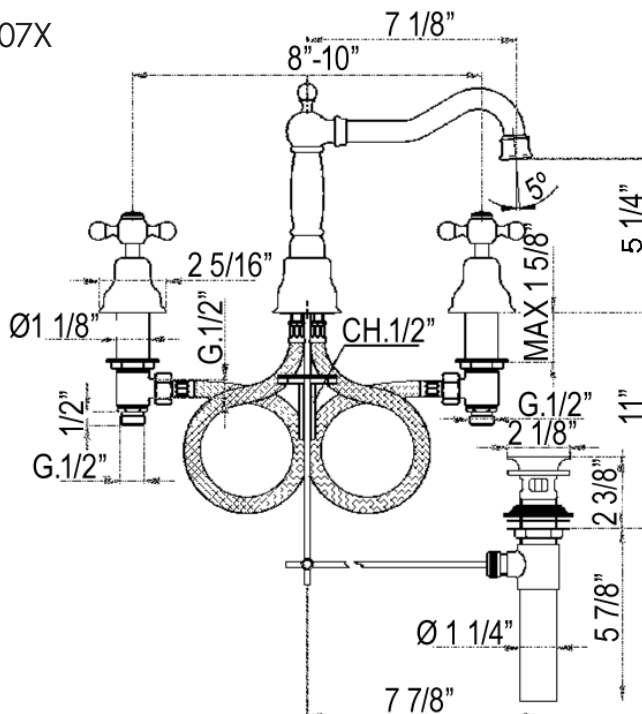
- Polished Chrome
- Polished Nickel
- Satin Nickel
- Tuscan Brass
- Inca Brass

WARRANTY

- Limited Lifetime*

* No Warranty on Tuscan Brass Finish (TCB)

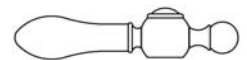
AC107X



AC107L



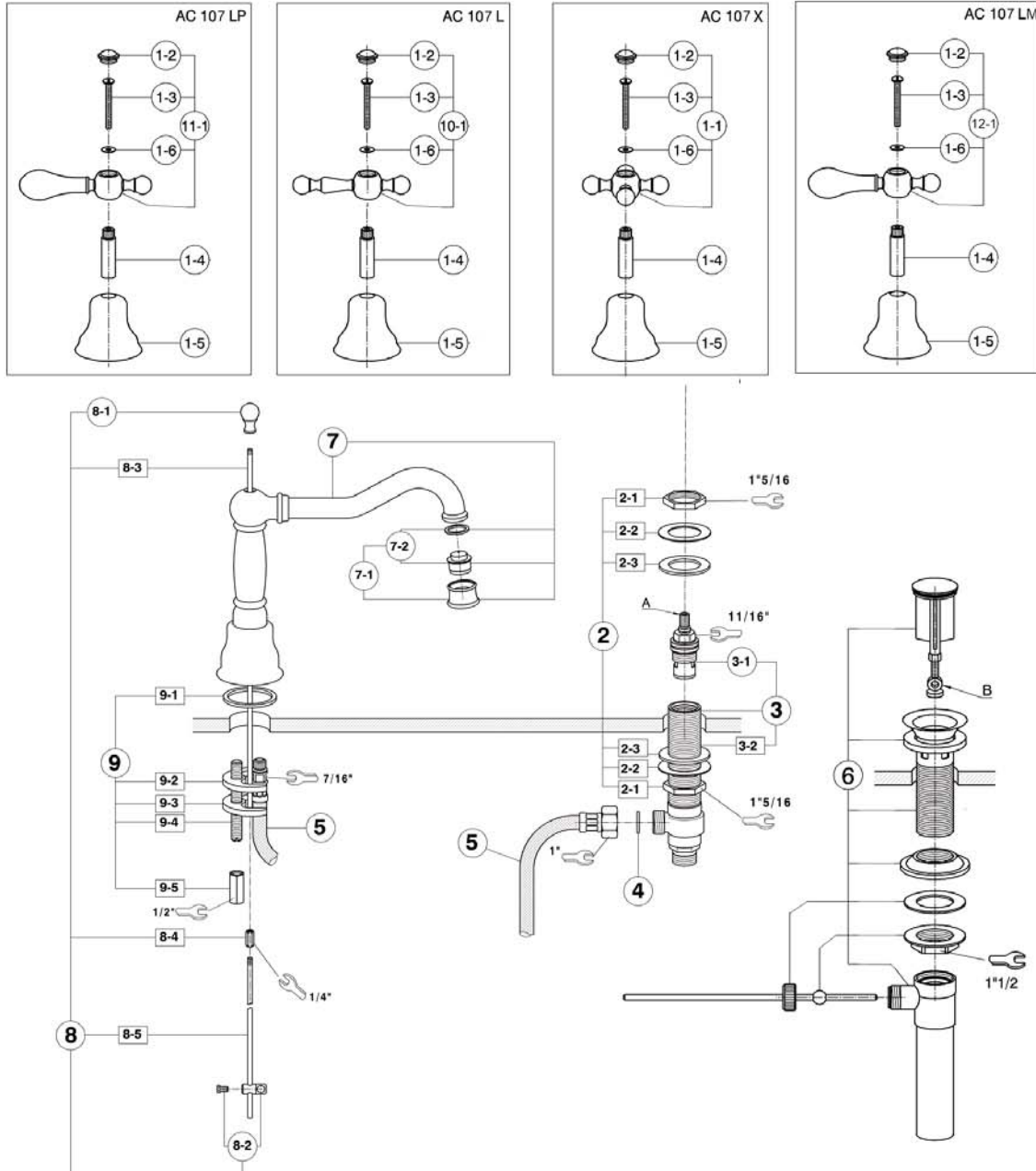
AC107LM &
AC107LP



* For CA/VT, place a "-2" at end of model number for code compliant product. (Example A3608LMAPC-2)

Consult your local ROHL showroom for additional information and specifications. For complete warranty details and a list of showrooms, go to www.rohlhome.com.

AC107 Spare Parts



POS.	DESCRIPTION	CODE	POS.	DESCRIPTION	CODE
1-1	Cross handle "Cold" mark with screw and cap - 3 hole lavatory	ZZ 92112 0	6	American Standard pop-up waste	ZA 00755 0
1-1	Cross handle "Hot" mark with screw and cap - 3 hole lavatory	ZZ 92111 0	7	Spout basin mixer	ZZ 94242 0
1-2	Cap for handle "AR" "Cold"	ZZ 93861 0	7-1	Overflow with M.22x1 Cascade 7,6 l/min	ZZ 93861 0
1-2	Cap for handle "AR" "Hot"	ZZ 93862 0	7-2	Mousseur cartridge M.22x1 Cascade 7,6 l/min	ZZ 93393 0
1-3	Screw M.4x40	ZZ 92679 0	8	Rod Ø4	ZZ 94243 0
1-4	Extension for headvalve "AA" - long	ZZ 92672 0	8-1	Knob for pop-up rod	ZZ 94244 0
1-5	Escutcheon "AR"	ZZ 92598 0	8-2	Connection for pop-up rod	ZZ 92622 0
1-6	Ring in brass 12x4.3x1	ZZ 92673 0	9	Installation set single hole	ZZ 92851 0
2	Installation set basin mixer	ZZ 92756 0	10-1	Ornate Metal lever handle "Cold" mark - 3 hole lavatory	ZZ 92117 0
3	Tail piece-basin mixer right	ZZ 93150 0	10-1	Ornate Metal lever handle "Hot" mark - 3 hole lavatory	ZZ 92118 0
3	Tail piece-basin mixer left (only AC 102 L - AC 102 LP)	ZZ 93151 0	11-1	Porcelain lever with "Cold" mark - 3 hole lavatory	ZZ 92262 0
3-1	Ceramic headvalve 1/2" right 90°	ZZ 92907 0	11-1	Porcelain lever with "Hot" mark - 3 hole lavatory	ZZ 92263 0
3-1	Ceramic headvalve 1/2" left 90° (only AC 102 L - AC 102 LP)	ZZ 92906 0	12-1	Classic Metal lever with "Cold" mark - 3 hole lavatory	ZZ 95033 0
4	Gasket rubber 18,5x11x2	ZZ 92714 0	12-1	Classic Metal lever with "Hot" mark - 3 hole lavatory	ZZ 95034 0
5	Flex M11x1 - 1/2"	ZZ 93248 0			