

Specification



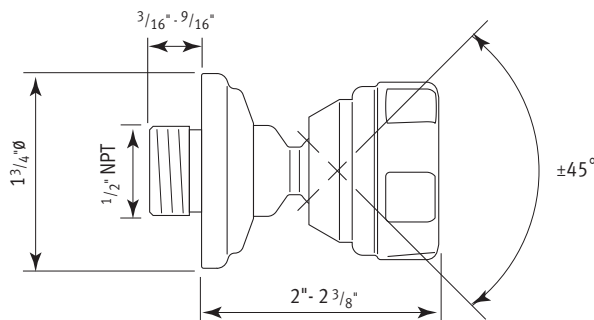
U.5570

Body Spray



Finishes

- Polished Chrome
- Polished Nickel
- Satin Nickel
- Inca Brass
- Polished Chrome/Inca Brass
- Satin Nickel/Inca Brass
- Polished Nickel/Inca Brass



Packed Weight:

0.3Kg / 3/4lbs

Temp Range:

Min 1°C / 34°F

Max 85°C / 185°F

Recommended working pressure:

Min 1 bar / 15 psi

Max 5 bar / 75 psi

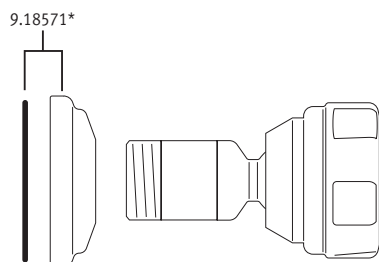
Specification



U.5570

Body Spray

Where * Indicated Specify Color.



Parts Breakdown