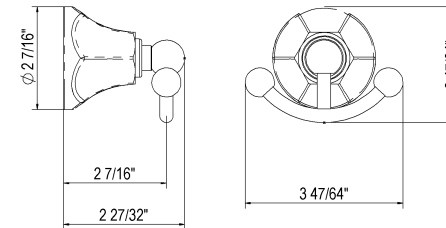


Care and Maintenance: After use, wipe down with a soft, dry cloth.
 For all chrome plated surfaces clean this product with warm soapy water and then dry with a dry soft cloth.
 Nickel plated, satin and Inca brass finishes should be cleaned with a soft cloth and warm water. Then dry with a dry soft cloth.
 Do not use cream cleaners or cleaning agents containing a corrosive acid or scouring agent including: Softscrub, Comet, Ajax and Bonami, as these may damage the surface of the faucet.
 Do not use any spray cleaners with ammonia or alcohol like Windex, 409 or Fantastik.
 Any use of unsuitable cleaning agents causing damage to the surface will not be covered by the warranty.

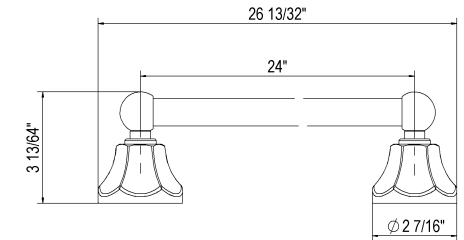
WARRANTY: Warranty is limited lifetime. See ROHL website for details.
 (www.rohlhome.com).
 A basic in-line filter system is required for the house to protect any debris from entering the water supply line to the house (i.e. due to construction or service work on the street)

ROHL WELLSFORD ACCESSORIES INSTALLATION INSTRUCTIONS

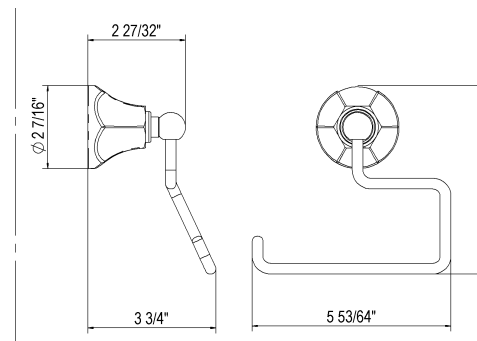
DOUBLE ROBE HOOK WE7DAPC, WE7DPN, WE7DSTN



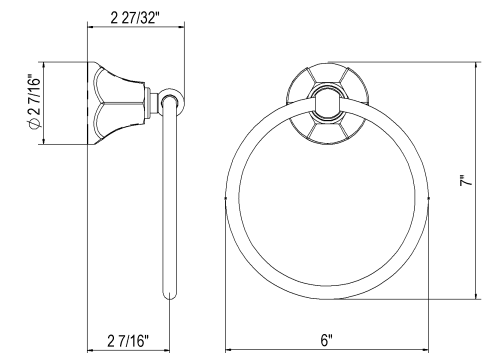
24 INCH TOWEL BAR WE1/24APC, WE1/24PN, WE1/24TN



TOILET PAPER HOLDER WE8APC, WE8PN, WE8STN

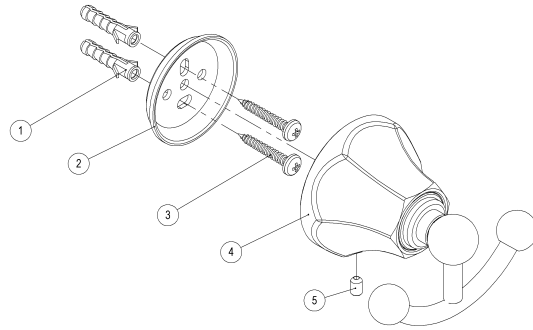


HAND TOWEL HOLDER WE4APC, WE4PN, WE4STN

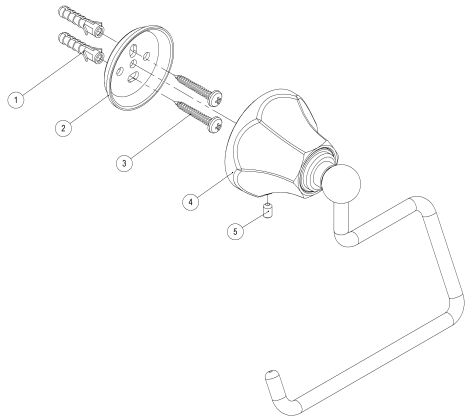


DOUBLE ROBE HOOK

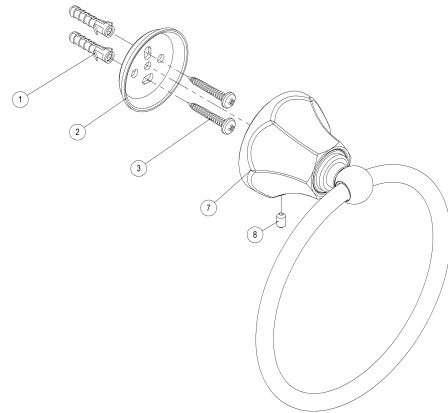
1	ANCHORS SLEEVE
2	STEEL MOUNTING PLATE
3	SELF-TAPPING SCREW
4	ACCESSORY
5	GRUB SCREW - M5



TOILET PAPER HOLDER



HAND TOWEL HOLDER



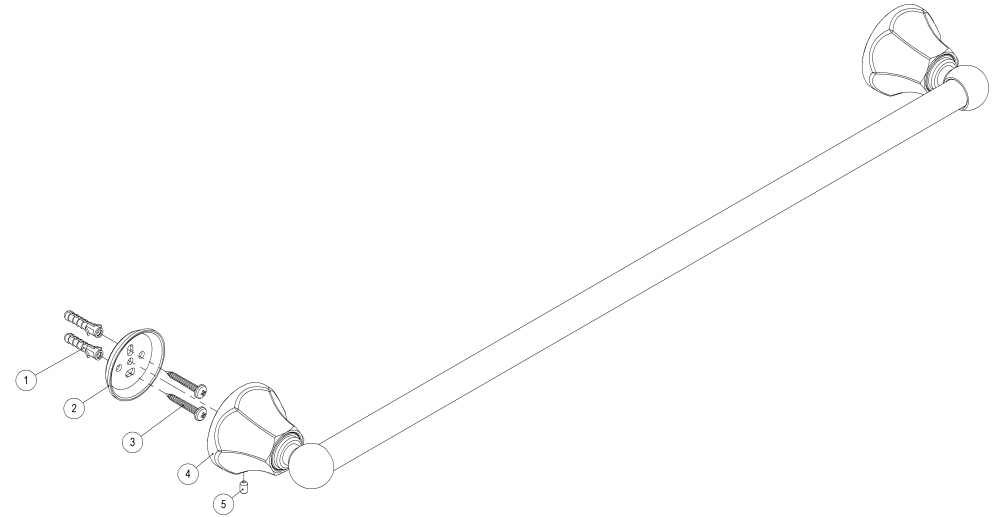
Robe Hook, Toilet Paper Holder and Hand Towel Installation Instructions

Anchors, pillars and screws are loose in the box.
#4 to #11 are assembled out of the box.

Place the steel mounting plate #2 in the required position and mark out for fixings using the mounting plate as a template.

2. Install the steel mounting plate #2 to wall using the self tapping screws #3.
 - a. Anchor sleeves #1 are provided for masonry walls.
 - b. Drill pilot holes, if required.
3. Install the accessory, position and tighten the grub screws #8, as shown.

24INCH TOWEL BAR



24 Inch Towel Bar Installation Instructions

Anchors, pillars and screws are loose in the box.
#4 to #11 are assembled out of the box.

1. Place the steel mounting plates #2 in the required position and mark out for fixings using the mounting plates as a template at **24 inch centers**.
 - a. Note: **The mounting plates must be level.**
2. Install the 2 steel mounting plates #2 to wall using the self tapping screws #3.
 - a. Anchor sleeves #1 are provided for masonry walls.
 - b. Drill pilot holes, if required.
3. Install the towel bar and tighten the grub screws #8, as shown.