

Features

- Rounded oak doors with curved metal edge detail
- Stainless steel sleigh legs
- Solid stainless steel door pulls
- Internal storage shelf
- Internal storage drawer with integrated handle
- Removable glass drawer dividers included

Materials & Construction

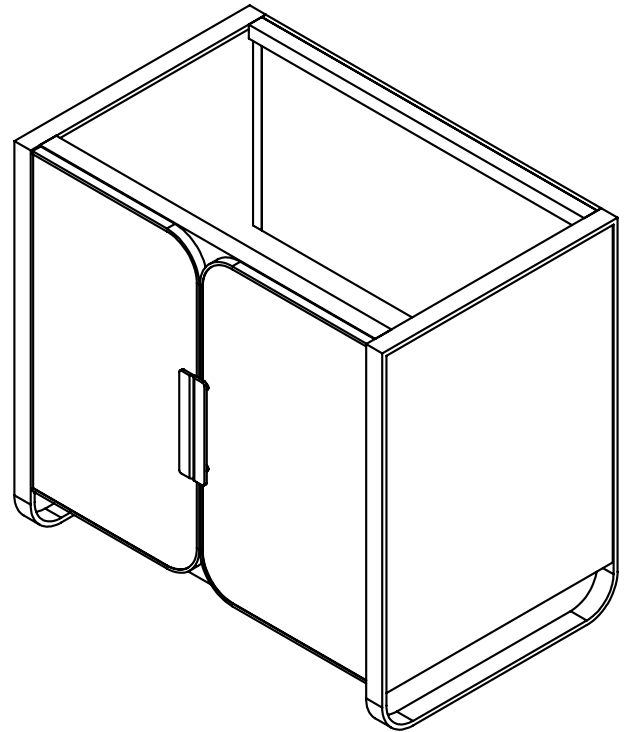
- Solid wood and veneer construction
- Stainless steel sleigh legs
- Full plywood back panel, no cutout
- Dovetailed drawers with solid oak front
- Blum undermount full extension slow close slide
- Blum slow close door hinges
- Durable, moisture resistant polyurethane finish
- Adjustable leveling feet

Options

- Available in:
 CVBE3621587, Matte Black Oak paired with Aged Brass
 CVBE3620169, Natural Grey paired with Brushed Pewter
- Engineered stone tops available:
 TA36UCO93-8CS2
 TA36UCO95-8CS2
 TA36UCO96-8CS2
 TA36UCO97-8CS2
 TA36UCO98-8CS2
 TA36UCO99-8CS2
 TA36UCO100-8CS2
 TA36UCO101-8CS2
- Coordinating mirrors available

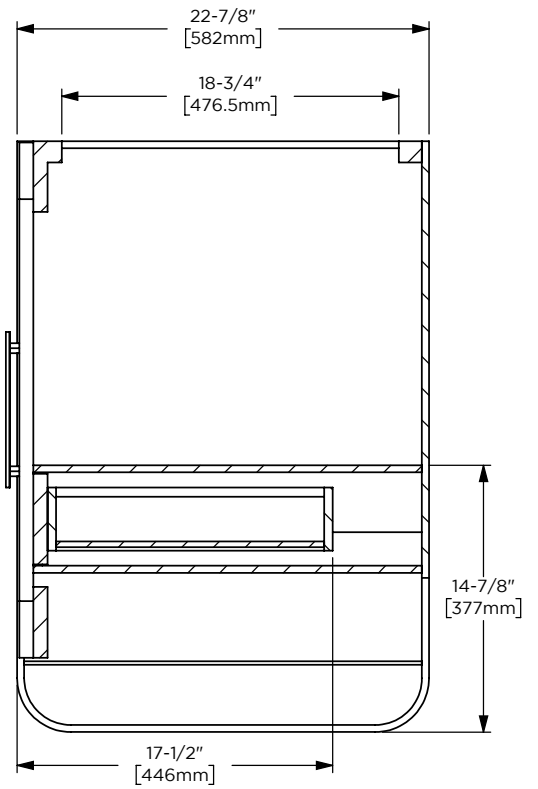
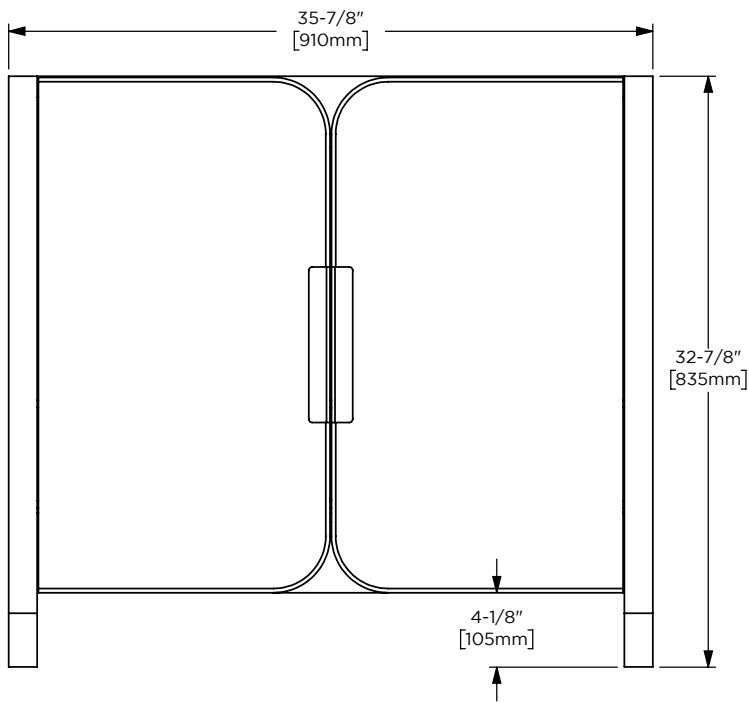
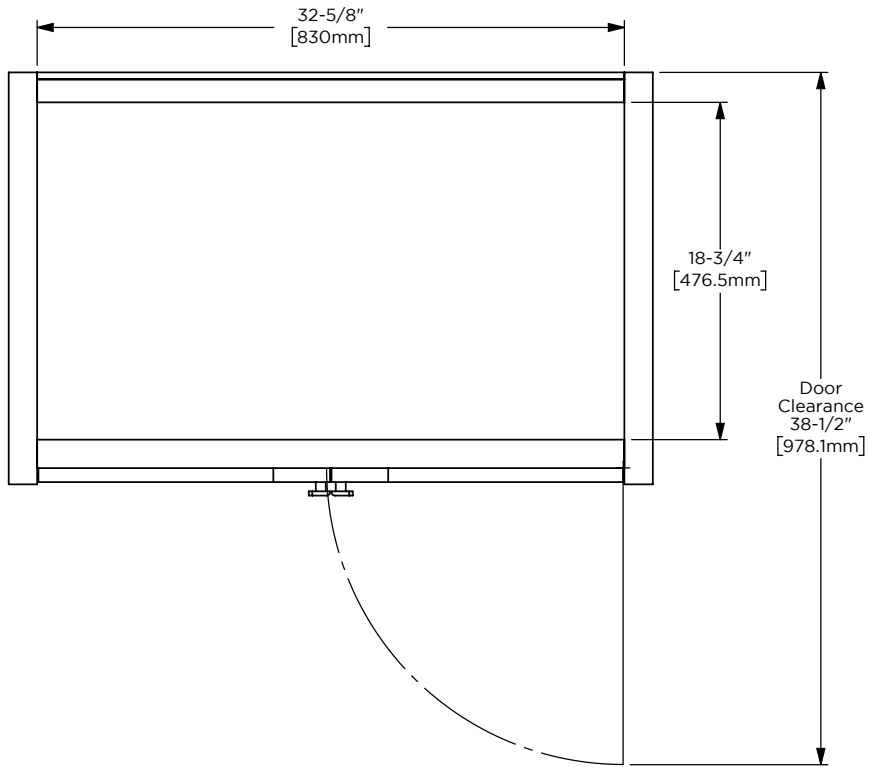
Dimensions

Width: 35-7/8"
 Height: 32-7/8"
 Depth: 22-7/8"



Model Number Key

PRODUCT LINE	CATEGORY	COLLECTION	WIDTH	FINISH OPTIONS	OPTIONS
C = Craft Series	V = Vanity	BE = Bergman	36"	(See above)	(See above)



Internal Construction