



Incandescent

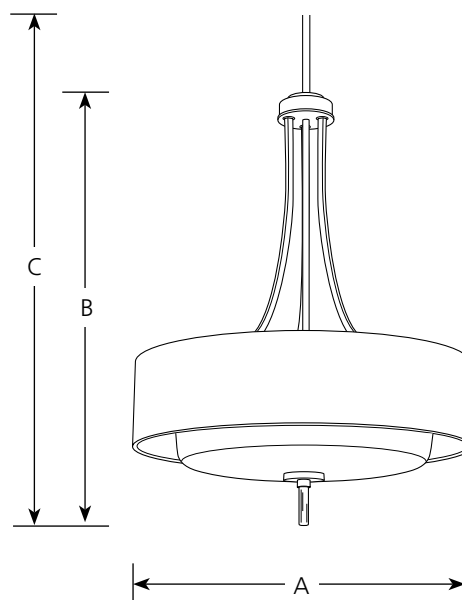
Invite

Hall & Foyer

Type \_\_\_\_\_  
-09                      -20

P5047                           

Catalog No.	Finish		Lamping	Dimensions (Inches)		
	Brushed Nickel	Antique Bronze		A	B	C
P5047	-09	-20	4 (m) 100w	20-1/8	27-3/8	93-3/8



**Specifications:**

General

- White silk mylar exterior shade: 20" dia., 5-1/8" ht.
- Etched glass interior shade: 16" dia., 6-5/16" ht.
- Plated Brushed Nickel (-09) finish
- Painted Antique Bronze (-20) finish
- Steel construction
- 6 links of 9 gauge chain supplied.
- One 6", four 12" lengths of stem included
- Companion Bath and Vanity, Chandelier, Close-to-ceiling, Hall and Foyer, Pendant, fixtures are available

Mounting

- Ceiling stem mounted with 6 links of chain mount
- Canopy covers a standard 4" hexagonal recessed outlet box
- Mounting strap for outlet box included

Electrical

- Medium base ceramic sockets
- 12 feet of wire supplied
- Pre-wired

Labeling

- cCSAus Dry location listed

Progress Lighting  
701 Millennium Blvd.  
Greenville, South Carolina  
29607

www.progresslighting.com

Rev. 09/13