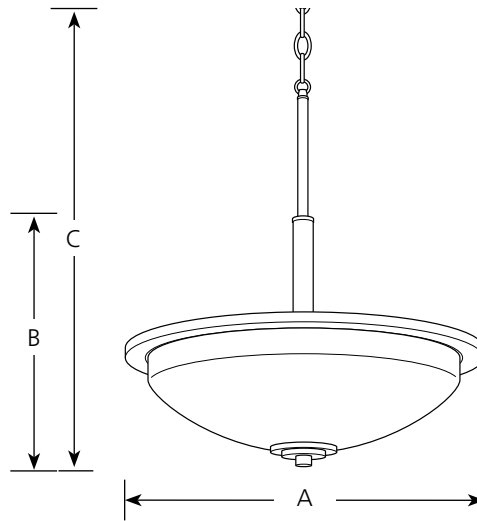


Catalog No.	Finish		Lamping	Dimensions (Inches)		
	Black	Polished Nickel		A	B	C
P3450	-31	-104	3 (m) 100w	16-5/8	18-7/8	92-1/2

Type	-31	-104
P3450	<input type="checkbox"/>	<input type="checkbox"/>



Specifications:

General

- Etched Painted White Inside glass bowl
- Painted Black (-31) finish
- Plated Polished Nickel (-104) finish
- Steel construction
- Six feet of 9 gauge chain included
- Companion Bath and Vanity, Chandelier, Close-to-ceiling, Hall and Foyer, Pendant, Wall bracket, fixtures are available

Mounting

- Ceiling chain mount
- canopy covers a standard 4" hexagonal recessed outlet box
- Mounting strap for outlet box included

Electrical

- A19 base ceramic sockets
- 15 feet of wire supplied
- Pre-wired

Labeling

- UL-CUL Dry location listed