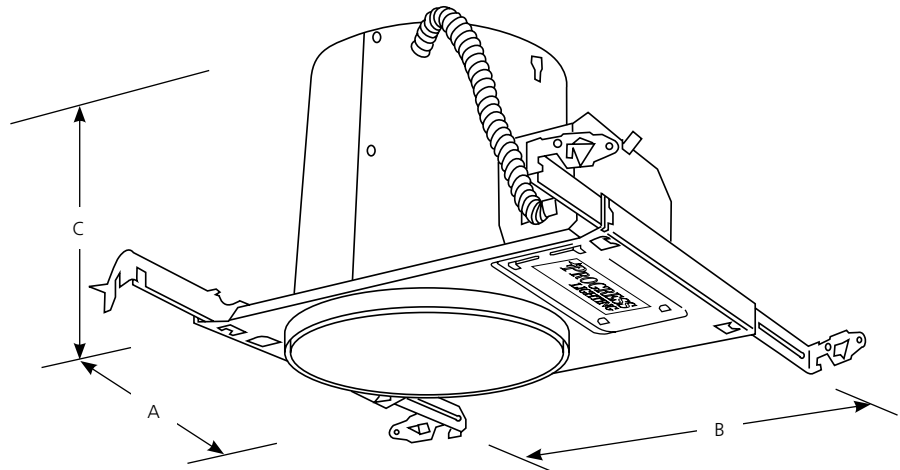


Type \_\_\_\_\_

P87-AT

Catalog No.	Lamping	Dimensions (Inches)		
		A	B	C
P87-AT	See Trim Specifications	7-7/8	10-3/4	7-1/2
		Ceiling Opening 6-7/8		



**Specifications:**

Wiring

- Universal junction box with snap-out sides
- Removable housing for field inspection of wiring
- Grounding pigtail
- Knockout free Romex clamps
- 1/2" & 3/4" Knock outs for rigid or BX fittings

Construction

- Housing adjusts from 1/2" to 2-1/2" for thick ceilings
- Full wrap-around plaster frame
- Removable K.O. for remodel use (P8607-01 plaster frame clips also required)
- Galvanized steel construction
- Porcelain socket with nickel-plated brass screw shell
- Notched housing for chalkline alignment
- Overspray protection
- Socket can be used as a temporary work light with 'A' lamp

Bar Hangers

- Integral nailers for wood joist construction
- Integral T-bar mounting clamps
- Span 24" T-bar spacing
- Lock to secure housing
- Captive
- 90-degree mounting for tight spaces

Labeling

- IC and Non-IC rated
- Complies with Washington State Energy Code (WSEC) requirement for air tight
- UL-CUL listed for damp location and through branch wiring
- Approved for use in New York City per calendar #40330.

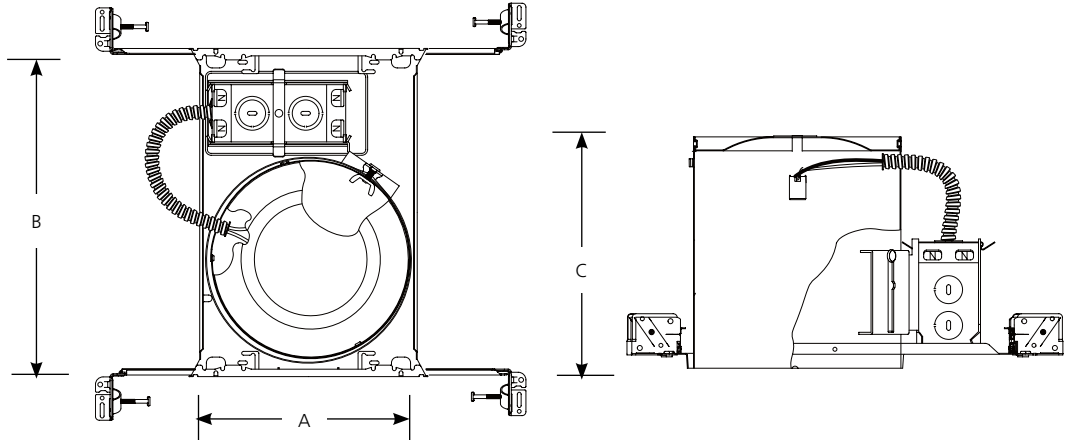
Lamp/Trim

- Socket mounts to trim for optimum performance and consistent lamp position
- Trim-Lok® action forces trim to fit snugly against the ceiling

Rev. 2/06

Type \_\_\_\_\_  
P87-LED

Catalog No.	Lamping	Dimensions (Inches)		
		A	B	C
P87-LED	See Trim Specifications	7-7/8	10-3/4	7-1/2 Ceiling Opening 6-7/8



The P87-LED IC rated, new construction recessed can is designed specifically for use with P8071-###STR LED trims (purchased separately). The integral quick link connector provides electrical connection to the trim in place of a traditional Edison base socket. The P87-LED in conjunction with the P8071-###STR series LED trims is a high efficacy luminaire compliant with California Title 24 requirements for recessed lighting. Marked for 15W maximum input power, the P87-LED is also a great option where lighting power densities limit allowable W/ft<sup>2</sup>.

**Title 24 Lighting**

**Specifications:**

Wiring

- Universal junction box with snap-out sides
- Removable housing for field inspection of wiring
- Grounding pigtail
- Knockout free Romex clamps
- 1/2" & 3/4" Knock outs for rigid or BX fittings
- Pre-Installed wire quick connects
- Thru-branch wiring for #12 90° conductors (4 in/4 out)

Construction

- Toolless adjustment for 1/2" to 2-1/2" for thick ceilings
- Full wrap-around plaster frame
- Removable K.O. for remodel use (P8607-01 plaster frame clips also required)
- Galvanized steel construction
- Notched housing for chalkline alignment
- Quick connector allows easy electrical connection with trim

Bar Hangers

- Integral IIGA. fluted nail for wood joist construction
- Integral snap-on T-bar mounting clip
- Rigid male/female design spans 24" for suspended ceilings
- Lock to secure housing
- Captive with extension stop tab
- 90-degree mounting for tight spaces
- Joist alignment tab

Labeling/Compliance

- IC and Non-IC rated
- Complies with Washington State Energy Code (WSEC) requirement for air tight
- UL-CUL listed for damp location and through branch wiring
- Approved for use in New York City per calendar #40330.
- Complies with California Title 24
- Labeled as 15w maximum input

Trim

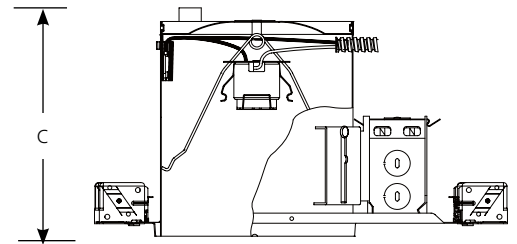
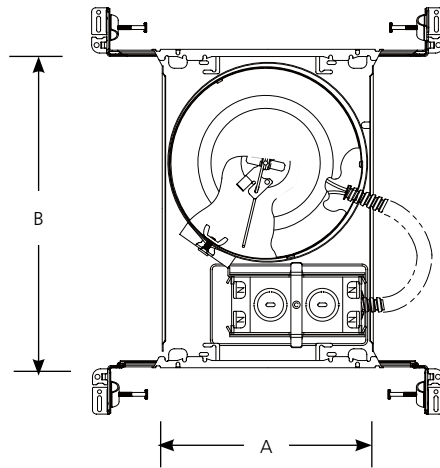
- Trim-Lok® action forces trim to fit snugly against the ceiling
- P87-LED is designed for use with P8071-###STR LED Trims (purchased separately)

Progress Lighting  
701 Millennium Blvd.  
Greenville, South Carolina  
29607

www.progresslighting.com  
Patent# 5758959

Type \_\_\_\_\_  
P87-ATQC

Catalog No.	Lamping	Dimensions (Inches)		
		A	B	C
P87-ATQC	See Trim Specifications	7-7/8	10-3/4	7-1/2
		Ceiling Opening 6-7/8		



**Specifications:**

Wiring

- Universal junction box with snap-out sides
- Removable housing for field inspection of wiring
- Grounding pigtail
- Knockout free Romex clamps
- 1/2" & 3/4" Knock outs for rigid or BX fittings
- Pre-Installed wire quick connects
- Thru-branch wiring for #12 90° conductors (4 in/4 out)

Construction

- Tooless adjustment for 1/2" to 2-1/2" for thick ceilings
- Full wrap-around plaster frame
- Removable K.O. for remodel use (P8607-01 plaster frame clips also required)
- Galvanized steel construction
- Porcelain socket with nickel-plated brass screw shell
- Notched housing for chalkline alignment
- Pre-installed disposable plastic cap protects socket screw shell from paint overspray
- Socket can be used as a temporary work light with 'A' lamp

Bar Hangers

- Integral 1/2 ga. fluted nail for wood joist construction
- Integral snap-on T-bar mounting clip
- Rigid male/female design span 24" for suspended ceilings
- Lock to secure housing
- Captive with extensive stop tab
- 90-degree mounting for tight spaces
- Joint alignment tab

Labeling

- IC and Non-IC rated
- Complies with Washington State Energy Code (WSEC) requirement for air tight
- UL-CUL listed for damp location and through branch wiring
- Approved for use in New York City per calendar #40330.

Lamp/Trim

- Socket mounts to trim for optimum performance, and provides consistent vertical lamp position
- Trim-Lok® action forces trim to fit snugly against the ceiling

Progress Lighting  
701 Millennium Blvd.  
Greenville, South Carolina  
29607