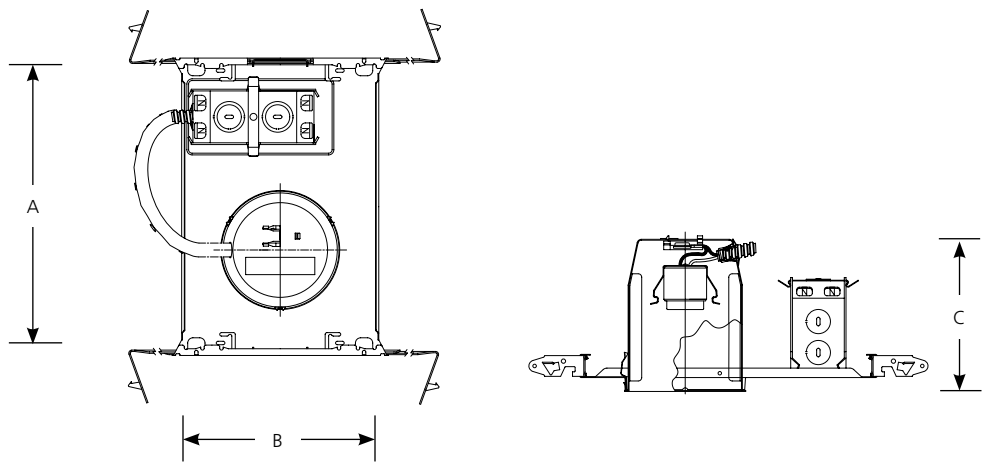


Type _____

P830-TG

Catalog No.	Lamping	Dimensions (Inches)		
		A	B	C
P830-TG	See Trim Specifications	10-3/4	7-7/8	5-1/2
		Ceiling Opening 4-1/2		



Specifications:

Wiring

- Removable housing for field inspection of wiring
- Universal J-box with snap-out sides
- Grounding pigtail
- Knock out free integral Romex clamps
- 1/2" & 3/4" Knock outs for rigid conduit or BX fittings

Construction

- Notched housing for chalkline alignment
- Overspray protection
- Full wrap-around plaster frame
- Removable K.O. for remodel use (P8607-01 plaster frame clips also required)
- Housing adjusts from 1/2" to 2-1/2" thick ceilings

Bar Hangers

- Integral nailers for wood joist construction
- Integral T-bar mounting clamps
- Span 24" T-bar spacing
- Lock to secure housing
- Captive
- 90-degree mounting for tight spaces

Labeling

- UL-CUL listed for damp location and through branch wiring
- Non-IC rated.

Lamp/Trim

- Socket mounts to trim for optimum performance and consistent lamp position