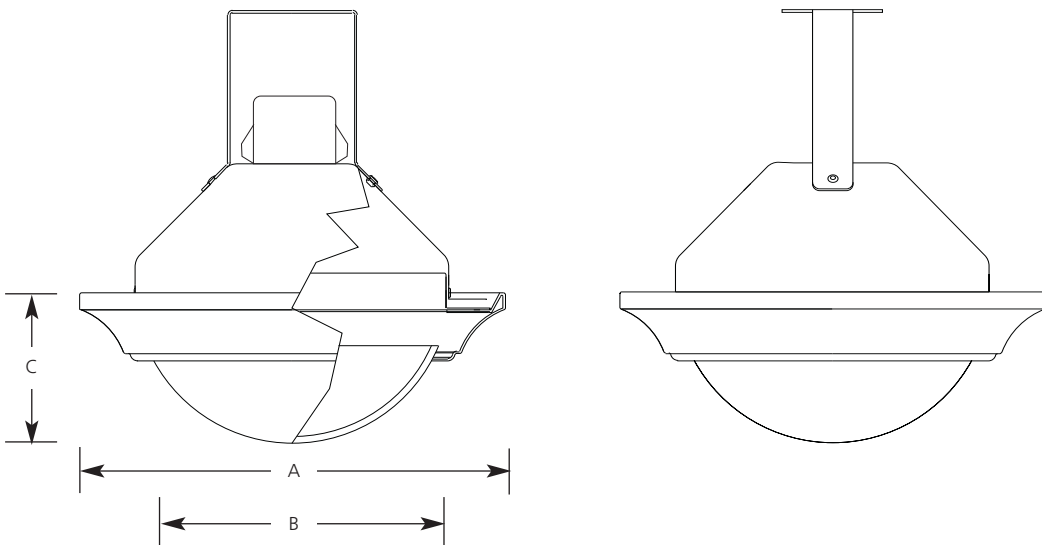


Type _____

	-09	-10	-15	-30	-33	-74
P8012	<input type="checkbox"/>	<input type="checkbox"/>	<input type="checkbox"/>	<input type="checkbox"/>	<input type="checkbox"/>	<input type="checkbox"/>

Catalog No.	Finish						Dimensions (Inches)		
	Brushed Nickel	Polished Brass	Polished Chrome	Textured White	Cobble-stone	Venetian Bronze	A	B	C
P8012	-09	-10	-15	-30	-33	-74	8	5-3/16	2-13/16



Lamp Wattage

Housing	IC	Non-IC
P62-FB	NA	26 or 32w 4-pin Triple-tube CF
P83-AT	13w 4-pin Quad/Triple-tube CF	13w 4-pin Quad/Triple-tube CF
P83-ICAT	13w 4-pin Quad/Triple-tube CF	13w 4-pin Quad/Triple-tube CF
P83-26ICAT	26w 4-pin Triple-tube CF	26w 4-pin Triple-tube CF
P88-ICAT	18w 4-pin Quad/Triple-tube CF	18w 4-pin Quad/Triple-tube CF
P183-EB	13w 4-pin Triple-tube CF	13w 4-pin Triple-tube CF

Specifications:

Flange

- Aluminum flange
- No light leaks around trim flange
- Covers irregular ceiling openings
- Matches other eclipse product finishes

Trim

- Trim-Lok® action forces trim to fit snugly against the ceiling
- Socket mounts to trim for optimum performance and consistent lamp position
- Full aluminum interior reflector

Lens

- Satin white glass for -09, -10, -15, -30 and -74 finishes
- Faux Tiffany art glass for -33 finish
- Glass: 5-19/32" OD. x 2-1/16" ht.
- Maximum overall length of lamp cannot exceed 5.7" (5-11/16")
- Available are: GE -F26TBX, Phillips PLT26 or 32, Sylvania CF26 or 32DT, or Progress 7808-01 (26w)

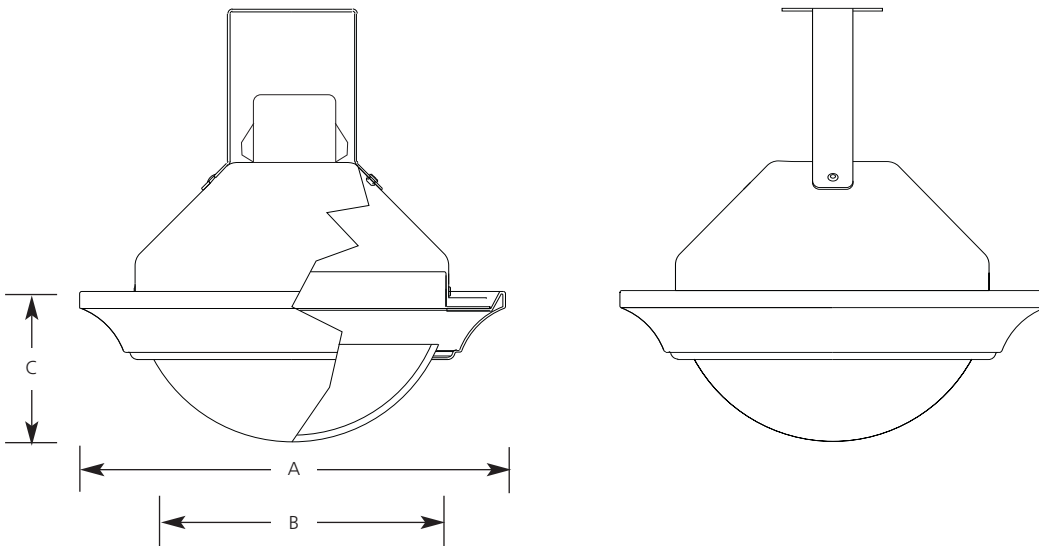
Labels

- UL-CUL wet location listed

Type _____

	-09	-10	-15	-30	-33	-74
P8012	<input type="checkbox"/>	<input type="checkbox"/>	<input type="checkbox"/>	<input type="checkbox"/>	<input type="checkbox"/>	<input type="checkbox"/>

Catalog No.	Finish						Dimensions (Inches)		
	Brushed Nickel	Polished Brass	Polished Chrome	Textured White	Cobble-stone	Venetian Bronze	A	B	C
P8012	-09	-10	-15	-30	-33	-74	8	5-3/16	2-13/16



Lamp Wattage

Housing	IC	Non-IC
P87-AT	75wPAR30/40A19	75wPAR30/100A19
P87-ATQC	75wPAR30/40A19	75wPAR30/100A19
P187-TG	75wPAR30/40A19	75wPAR30/100A19
P821-AT	75wPAR30/60A19	75wPAR30/60A19
P821-FB & P821-FBFC	75wPAR30/60A19	75wPAR30/60A19

Specifications:

Flange

- Aluminum flange
- No light leaks around trim flange
- Covers irregular ceiling openings
- Matches other eclipse product finishes

Lens

- Satin white glass for -09, -13, -15, -30 and -74 finishes
- Faux Tiffany art glass for -33 finish
- Glass: 5-19/32" OD. x 2-1/16" ht.

Trim

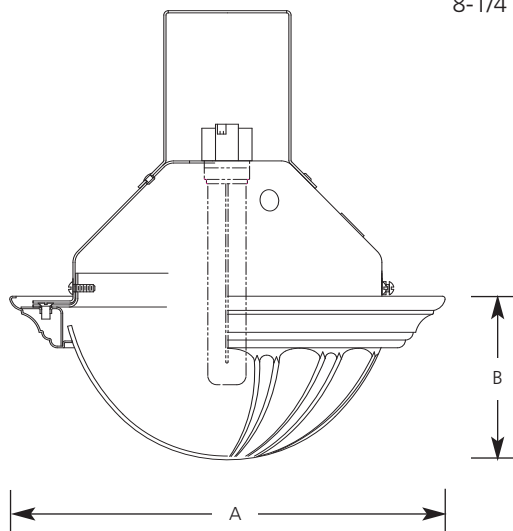
- Trim-Lok® action forces trim to fit snugly against the ceiling
- Socket mounts to trim for optimum performance and consistent lamp position
- Full aluminum interior reflector

Labels

- UL-CUL wet location listed

Type _____
 -42SV
 P8012

Catalog No.	Finish _____	Dimensions (Inches)	
	Sea-Brook	A	B
P8012	-42SV	8-1/4	3-1/8



Lamp Wattage

Housing	IC	Non-IC
P62-FB	NA	26 or 32w 4-pin Triple-tube CF
P83-AT	13w 4-pin Quad/Triple-tube CF	13w 4-pin Quad/Triple-tube CF
P83-ICAT	13w 4-pin Quad/Triple-tube CF	13w 4-pin Quad/Triple-tube CF
P83-26ICAT	26w 4-pin Triple-tube CF	26w 4-pin Triple-tube CF
P88-ICAT	18w 4-pin Quad/Triple-tube CF	18w 4-pin Quad/Triple-tube CF
P183-EB	13w 4-pin Triple-tube CF	13w 4-pin Triple-tube CF

Specifications:

Flange

- Aluminum flange
- No light leaks around trim flange
- Covers irregular ceiling openings
- Matches other Prescott product finishes

Trim

- Trim-Lok® action forces trim to fit snugly against the ceiling
- Socket mounts to trim for optimum performance and consistent lamp position
- Full aluminum interior reflector
- Equipped with safety chain and lock/set screw to prevent trim disengagement from reflector

Lens

- Satin white glass: 6" OD. x 2-9/16" ht.

Lamps

- Maximum overall length of lamp cannot exceed 5.7" (5-11/16")
- Available are: GE -F26TBX, Phillips PLT26 or 32, Sylvania CF26 or 32DT, or Progress 7808-01 (26w)

Labels

- UL-CUL wet location listed



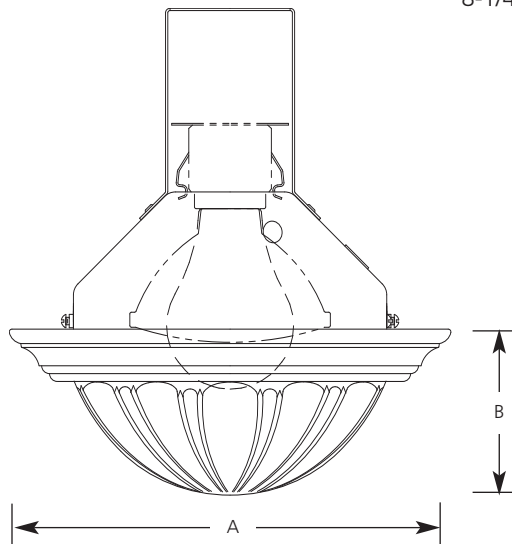
Incandescent

**Recessed Prescott Shower Light
IC & Non-IC**

Recessed

Type _____
-42SV
P8012

Catalog No.	Finish _____	Dimensions (Inches)	
	Sea-Brook	A	B
P8012	-42SV	8-1/4	3-1/8



Lamp Wattage

Housing	IC	Non-IC
P87-AT	75PAR30/40A19	75PAR30/100A19
P87-ATQC	75PAR30/40A19	75PAR30/100A19
P187-TG	75PAR30/40A19	75PAR30/100A19
P821-AT	75PAR30/60A19	75PAR30/60A19
P821-FB, FBT, FBFC	75PAR30/60A19	75PAR30/60A19

Specifications:

Flange

- Aluminum flange
- No light leaks around trim flange
- Covers irregular ceiling openings
- Matches other Prescott product finishes

Lens

- Satin white glass: 6" OD. x 2-9/16" ht.

Labels

- UL-CUL wet location listed

Trim

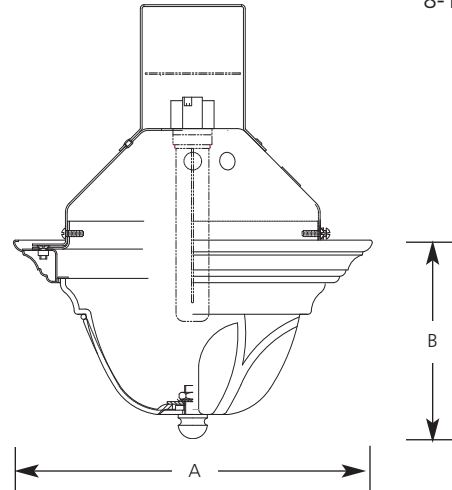
- Trim-Lok® action forces trim to fit snugly against the ceiling
- Socket mounts to trim for optimum performance and consistent lamp position
- Full aluminum interior reflector
- Equipped with safety chain and lock/set screw to prevent trim disengagement from reflector

Progress Lighting
701 Millennium Blvd.
Greenville, South Carolina
29607

www.progresslighting.com
Patent# 5,758,964

Type _____
 -46AC
 P8012

Catalog No.	Finish	Dimensions (Inches)	
	Weathered Bronze	A	B
P8012	-46AC	8-1/4	4-5/8



Lamp Wattage

Housing	IC	Non-IC
P62-FB	NA	26 or 32w 4-pin Triple-tube CF
P83-AT	13w 4-pin Quad/Triple-tube CF	13w 4-pin Quad/Triple-tube CF
P83-ICAT	13w 4-pin Quad/Triple-tube CF	13w 4-pin Quad/Triple-tube CF
P83-26ICAT	26w 4-pin Triple-tube CF	26w 4-pin Triple-tube CF
P88-ICAT	18w 4-pin Quad/Triple-tube CF	18w 4-pin Quad/Triple-tube CF
P183-EB	13w 4-pin Triple-tube CF	13w 4-pin Triple-tube CF

Specifications:

Flange

- Aluminum flange
- No light leaks around trim flange
- Covers irregular ceiling openings
- Matches other Verona product finishes

Trim

- Trim-Lok® action forces trim to fit snugly against the ceiling
- Socket mounts to trim for optimum performance and consistent lamp position
- Full aluminum interior reflector
- Equipped with safety chain and lock/set screw to prevent trim disengagement from reflector

Lens

- Faux Tiffany art glass: 6-1/16" OD. x 3-1/8" ht., 15/16" hole dia.

Lamps

- Maximum overall length of lamp cannot exceed 5.7" (5-11/16")
- Available are: GE -F26TBX, Phillips PLT26 or 32, Sylvania CF26 or 32DT, or Progress 7808-01 (26w)

Labels

- UL-CUL wet location listed



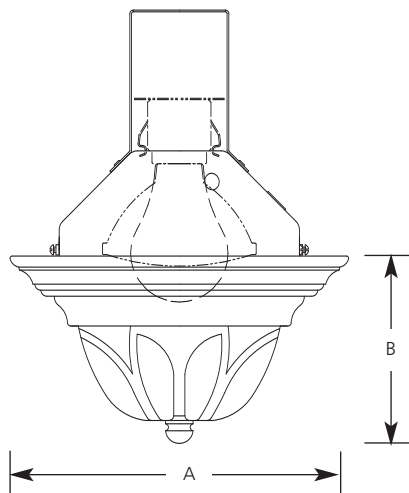
Incandescent

**Recessed Verona Shower Light
IC & Non-IC**

Recessed

Type _____
 -46AC
 P8012

Catalog No.	Finish	Dimensions (Inches)	
	Weathered Bronze	A	B
P8012	-46AC	8-1/4	4-5/8



Lamp Wattage

Housing	IC	Non-IC
P87-AT	75PAR30/40A19	75PAR30/100A19
P87-ATQC	75PAR30/40A19	75PAR30/100A19
P187-TG	75PAR30/40A19	75PAR30/100A19
P821-AT	75PAR30/60A19	75PAR30/60A19
P821-FB, FBT, FBFC	75PAR30/60A19	75PAR30/60A19

Specifications:

Flange

- Aluminum flange
- No light leaks around trim flange
- Covers irregular ceiling openings
- Matches other Verona product finishes

Lens

- Faux Tiffany art glass: 6-1/16" OD. x 3-1/8" ht. 15/16" hole dia.

Labels

- UL-CUL wet location listed

Trim

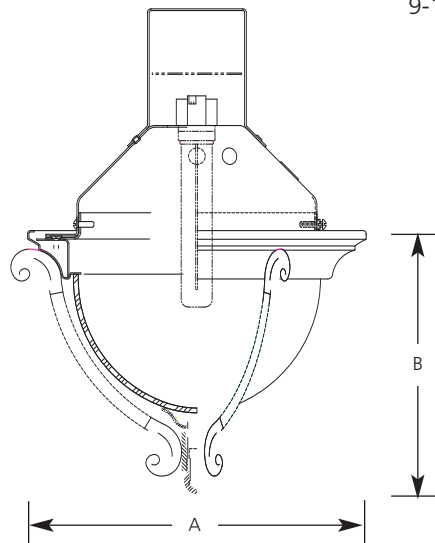
- Trim-Lok® action forces trim to fit snugly against the ceiling
- Socket mounts to trim for optimum performance and consistent lamp position
- Full aluminum interior reflector
- Equipped with safety chain and lock/set screw to prevent trim disengagement from reflector

Progress Lighting
 701 Millennium Blvd.
 Greenville, South Carolina
 29607

www.progresslighting.com
 Patent# 5,758,969

Type _____
 -71GV
 P8012

Catalog No.	Finish _____		Dimensions (Inches)	
	Gilded	Iron	A	B
P8012		-71GV	9-1/8	6-12



Housing	Lamp Wattage	
	IC	Non-IC
P62-FB	NA	26 or 32w 4-pin Triple-tube CF
P83-AT	13w 4-pin Quad/Triple-tube CF	13w 4-pin Quad/Triple-tube CF
P83-ICAT	13w 4-pin Quad/Triple-tube CF	13w 4-pin Quad/Triple-tube CF
P83-26ICAT	26w 4-pin Triple-tube CF	26w 4-pin Triple-tube CF
P88-ICAT	18w 4-pin Quad/Triple-tube CF	18w 4-pin Quad/Triple-tube CF
P183-EB	13w 4-pin Triple-tube CF	13w 4-pin Triple-tube CF

Specifications:

Flange

- Aluminum flange
- No light leaks around trim flange
- Covers irregular ceiling openings
- Matches other Geneva product finishes

Trim

- Trim-Lok® action forces trim to fit snugly against the ceiling
- Socket mounts to trim for optimum performance and consistent lamp position
- Full aluminum interior reflector
- Equipped with safety chain and lock/set screw to prevent trim disengagement from reflector

Lens

- Water glass: 6" dia. x 3-3/8" ht.

Lamps

- Maximum overall length of lamp cannot exceed 5.7" (5-11/16")
- Available are: GE -F26TBX, Phillips PLT26 or 32, Sylvania CF26 or 32DT, or Progress 7808-01 (26w)

Labels

- UL-CUL wet location listed



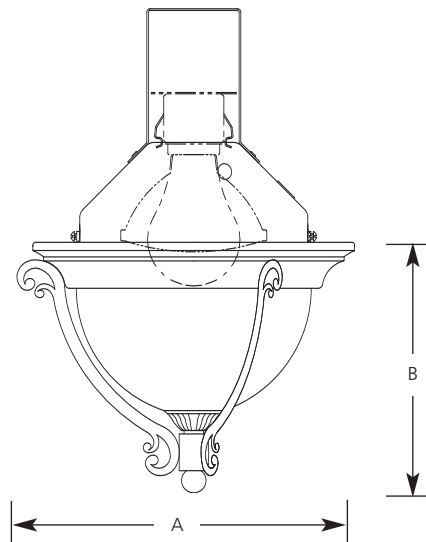
Incandescent

**Recessed Geneva Shower Light
IC & Non-IC**

Recessed

Type _____
 -71GV
 P8012

Catalog No.	Finish	Dimensions (Inches)	
	Gilded Iron	A	B
P8012	-71GV	9-1/8	6-1/2



Lamp Wattage

Housing	IC	Non-IC
P87-AT	75PAR30/40A19	75PAR30/100A19
P87-ATQC	75PAR30/40A19	75PAR30/100A19
P187-TG	75PAR30/40A19	75PAR30/100A19
P821-AT	75PAR30/60A19	75PAR30/60A19
P821-FB, FBT, FBFC	75PAR30/60A19	75PAR30/60A19

Specifications:

Flange

- Aluminum flange
- No light leaks around trim flange
- Covers irregular ceiling openings
- Matches other Geneva product finishes

Lens

- Water glass: 6" dia. x 3-3/8" ht.

Labels

- UL-CUL wet location listed

Trim

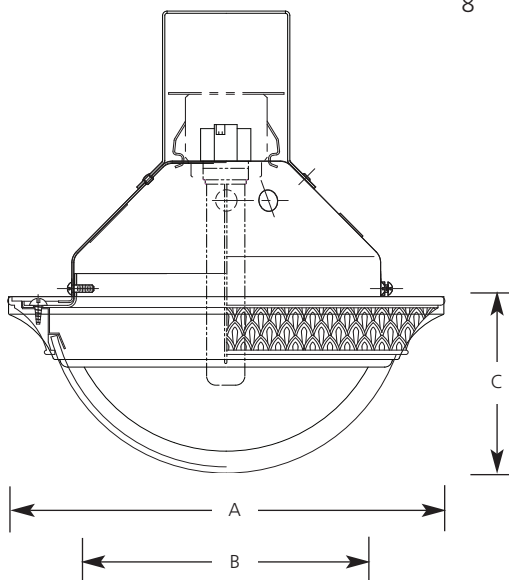
- Trim-Lok® action forces trim to fit snugly against the ceiling
- Socket mounts to trim for optimum performance and consistent lamp position
- Full aluminum interior reflector
- Equipped with safety chain and lock/set screw to prevent trim disengagement from reflector

Progress Lighting
 701 Millennium Blvd.
 Greenville, South Carolina
 29607

www.progresslighting.com
 Patent# 5,758,972

Type _____
 -86SV
 P8012

Catalog No.	Finish	Dimensions (Inches)		
	Burnished Chestnut	A	B	C
P8012	-86SV	8	5-3/16	2-13/16



Lamp Wattage

Housing	IC	Non-IC
P83-AT	13w 4-pin Quad/Triple-tube CF	13w 4-pin Quad/Triple-tube CF
P83	N/A	13w 2-pin Quad CF
P83-ICAT	13w 4-pin Quad/Triple-tube CF	13w 4-pin Quad/Triple-tube CF
P88-ICAT	18w 4-pin Quad/Triple-tube CF	18w 4-pin Quad/Triple-tube CF
P183-EB	13w 4-pin Triple-tube CF	13w 4-pin Triple-tube CF

Specifications:

Flange

- Aluminum flange
- No light leaks around trim flange
- Covers irregular ceiling openings
- Matches other Savannah product finishes

Lens

- Antique alabaster glass: 6-5/8" dia. x 2-5/8" ht.

Labels

- UL-CUL wet location listed

Trim

- Trim-Lok® action forces trim to fit snugly against the ceiling
- Socket mounts to trim for optimum performance and consistent lamp position
- Full aluminum interior reflector
- Equipped with safety chain and lock/set screw to prevent trim disengagement from reflector



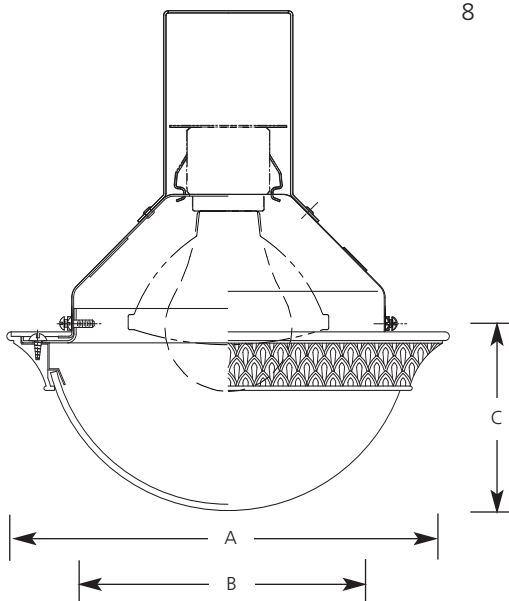
Incandescent

**Recessed Savannah Shower Light
IC & Non-IC**

Recessed

Type _____
 -86SV
 P8012

Catalog No.	Finish	Dimensions (Inches)		
	Burnished Chestnut	A	B	C
P8012	-86SV	8	5-3/16	2-13/16



Lamp Wattage

Housing	IC	Non-IC
P87-AT	75PAR30/40A19	75PAR30/100A19
P87-ATQC	75PAR30/40A19	75PAR30/100A19
P187-TG	75PAR30/40A19	75PAR30/100A19
P821-AT	75PAR30/60A19	75PAR30/60A19
P821-FB, FBT, FBFC	75PAR30/60A19	75PAR30/60A19

Specifications:

Flange

- Aluminum flange
- No light leaks around trim flange
- Covers irregular ceiling openings
- Matches other Savannah product finishes

Lens

- Antique alabaster glass: 6-5/8" dia. x 2-5/8" ht.

Labels

- UL-CUL wet location listed

Trim

- Trim-Lok® action forces trim to fit snugly against the ceiling
- Socket mounts to trim for optimum performance and consistent lamp position
- Full aluminum interior reflector
- Equipped with safety chain and lock/set screw to prevent trim disengagement from reflector

Progress Lighting
 701 Millennium Blvd.
 Greenville, South Carolina
 29607

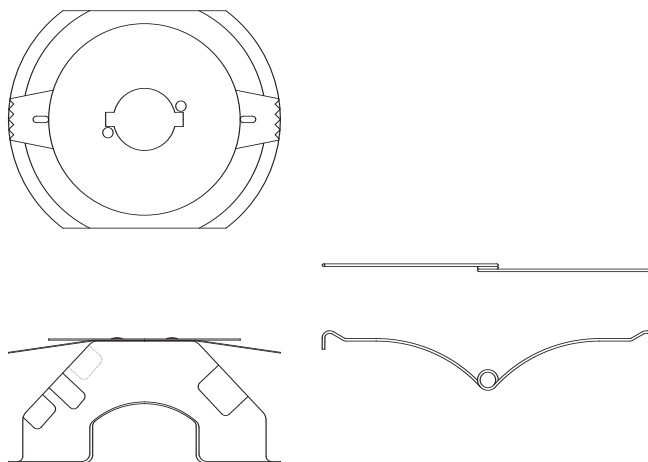
www.progresslighting.com

Rev. 10/09

Type _____
 -KIT
 P8012

Catalog No.

P8012 -KIT



Lamp Wattage

Housing	IC	Non-IC
P10TG	N/A	75PAR30, 65BR30, 50PAR20 and R20
P111TG	N/A	75PAR30, 65BR30, 50PAR20 and R20

Specifications:

Components

- Aluminum reflector with integral retention spring
- Shipped with 2 torsion springs for added stability and solid retention against ceiling

Installation

- Kit must be purchased with a Progress 8012 decorative trim
- Shipped with installation instructions

Labels

- UL classified for use in Halo/Juno cans according to the chart below:

Cat #	Max Wattage
H7ICT	50W Par30, 65W BR30
H7T	75W Par30, 65W BR30
IC2	50W Par30, 65W BR30
TC2	75W Par30, 65W BR30
IC22	50W Par30, 65W BR30