



Incandescent

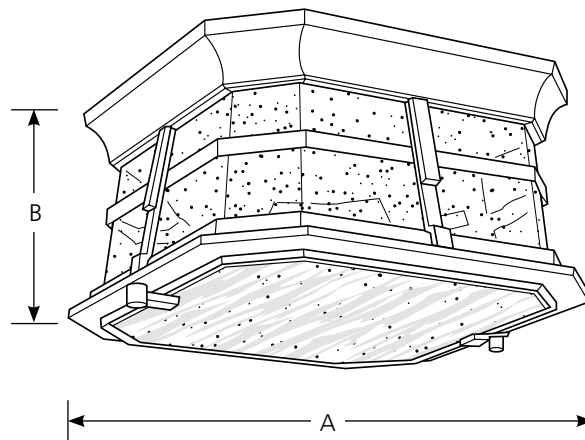
Derby

Outdoor

Type _____
-84

P6017

Catalog No.	Finish	Lamping	Dimensions (Inches)	
	Espresso		A	B
P6017	-84	2 (m) 60w	10	5-1/2



Specifications:

General

- Clear seeded blown glass diffuser
- Espresso and Textured Black powdercoat (-84) finish
- Cast aluminum construction
- Companion Chain hung lantern, Post top lantern, Wall lantern, fixtures are available

Electrical

- Medium base ceramic socket with nickel-plated brass screw shell
- Pre-wired

Labeling

- cCSAus Damp location listed

Mounting

- Ceiling flush mount
- Ceiling pancovers a standard 4" hexagonal recessed outlet box
- Mounting strap for outlet box included

Progress Lighting
701 Millennium Blvd.
Greenville, South Carolina
29607

www.progresslighting.com

Rev. 07/13