



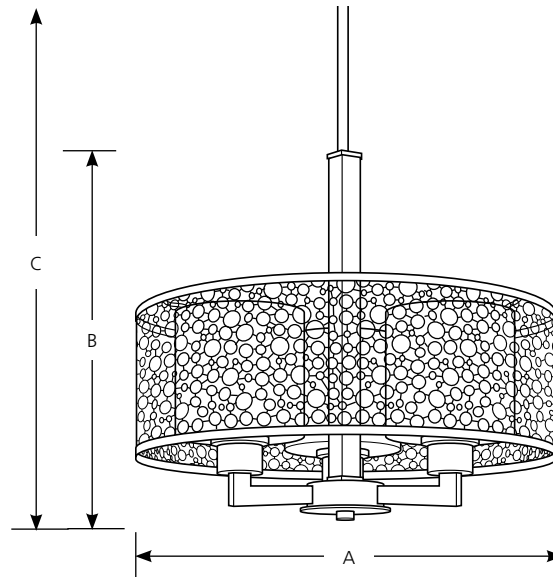
Incandescent

Mingle

Pendants

Catalog No.	Finish		Lamping	Dimensions (Inches)		
	Brushed Nickel	Antique Bronze		A	B	C
P5155	-09	-20	3 (m) 100w	17	15-1/4	81-1/4

Type	-09	-20
P5155	<input type="checkbox"/>	<input type="checkbox"/>



Specifications:

General

- Etched Parchment (-09), Natural Parchment (-20) glass diffuser
- Plated Brushed Nickel (-09) finish
- Painted Antique Bronze (-20) finish
- Steel construction
- One 6", four 12" lengths of stem included
- 6 links of 9 gauge chain included
- Companion Close-to-ceiling, Pendant, fixtures are available

Mounting

- Ceiling stem mounted with 6 links of chain mount
- Canopy covers a standard 4" hexagonal recessed outlet box
- Mounting strap for outlet box included

Electrical

- A19 base ceramic sockets
- 15 feet of wire supplied
- Pre-wired
- Threaded socket ring secures glass

Labeling

- UL-CUL Dry location listed

Progress Lighting
 701 Millennium Blvd.
 Greenville, South Carolina
 29607

www.progresslighting.com

Rev. 01/15