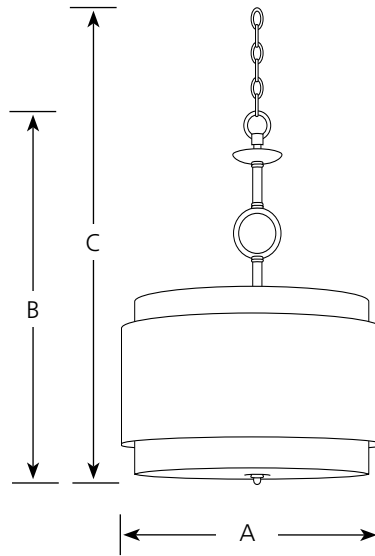


Type _____
 -134
 P5056

Finish			Dimensions (Inches)		
Catalog No.	Silver Ridge	Lamping	A	B	C
P5056	-134	3 (m) 100w	22	29-1/4	104-1/4



Specifications:

General

- Thistle weave with toasted linen finish fabric shade, 22" dia. x 13" T.
- Flat etched glass diffuser at bottom
- Perforated steel top closure
- Six feet of 9 gauge chain supplied
- Painted finish
- Steel construction
- Companion chandeliers, close to ceiling, mini-pendant, and wall bracket units

Mounting

- Ceiling chain mounted
- Canopy covers a standard 4" hexagonal outlet box
- Mounting strap for outlet box included

Electrical

- Ceramic medium based sockets
- Pre-wired

Labeling

- UL-CUL listed