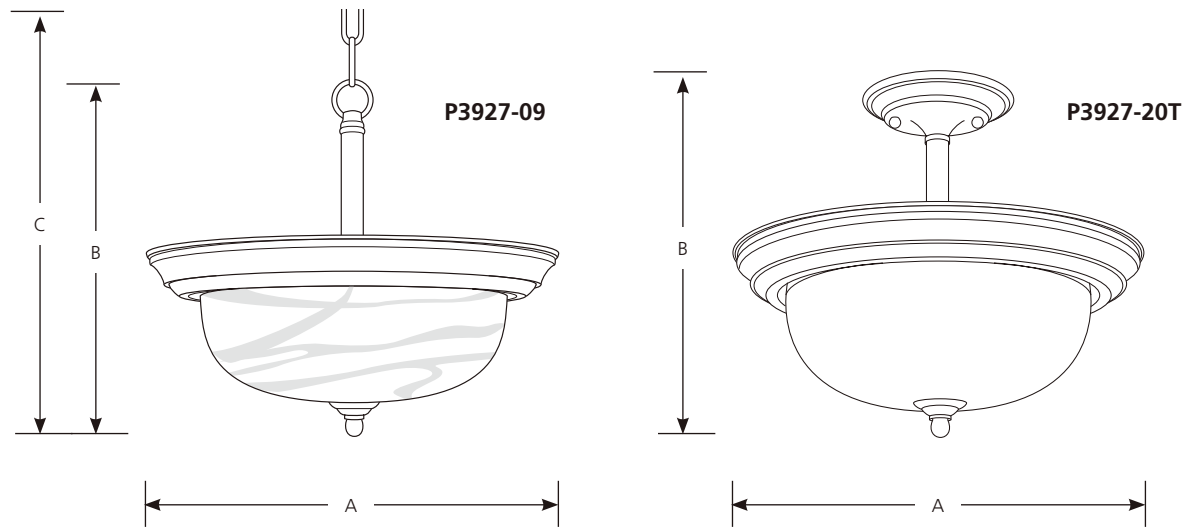


Type \_\_\_\_\_  
 -09 -20 -20T -30  
 P3927

Catalog No.	Finish				Lamping	Dimensions (Inches)			
	Brushed Nickel	Antique Bronze	Bronze w/ Topaz glass	White		A	B	C	
P3927	-09	-20	-20T	-30	2 (m)	100w	13-1/4	11-3/8	850



**Specifications:**

General

- Dome shaped glass with solid trim and decorative knobs
- Center lock up with matching finial
- Flared ceiling pan
- Brushed Nickel (-09) is plated, Antique Bronze (-20/-20T) and white (-30) are hand painted finishes
- Steel construction

Mounting

- Ceiling mount
- Ceiling pan covers a standard 4" recessed octagonal outlet box
- Mounting strap for outlet box included

Electrical

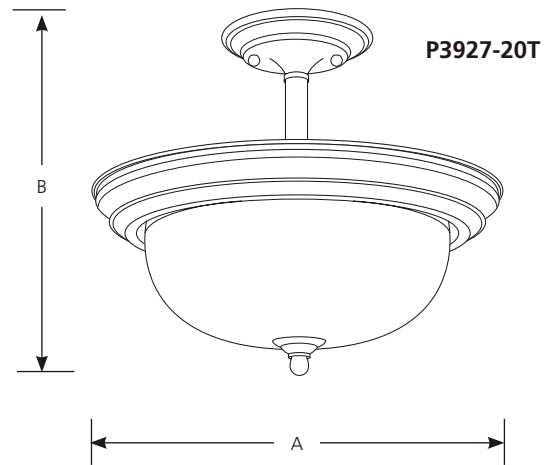
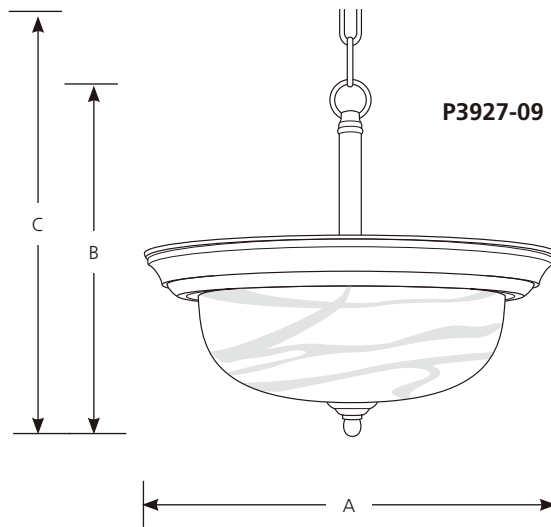
- Pre-wired
- Medium based ceramic sockets

Labeling

- UL-CUL dry location listed

Type \_\_\_\_\_  
 -09EBWB -20EBWB -20TEBWB -30EBWB  
 P3927

Catalog No.	Finish				Lamping	Dimensions (Inches)		
	Brushed Nickel	Antique Bronze	Bronze w/ Topaz glass	White		A	B	C
P3927	-09EBWB	-20EBWB	-20TEBWB	-30EBWB	2-18w CFL	13-1/4	11-3/8	50



**Specifications:**

General

- Dome shaped glass with solid trim and decorative knobs
- Center lock up with matching finial
- Flared ceiling pan
- Brushed Nickel (-09) is plated, Antique Bronze (-20/-20T) and white (-30) are hand painted finishes
- Steel construction

Mounting

- Ceiling mount
- Ceiling pan covers a standard 4" recessed octagonal outlet box
- Mounting strap for outlet box included

Electrical

- Pre-wired
- GU24 based sockets

Labeling

- cCSAus dry location listed