



solid state

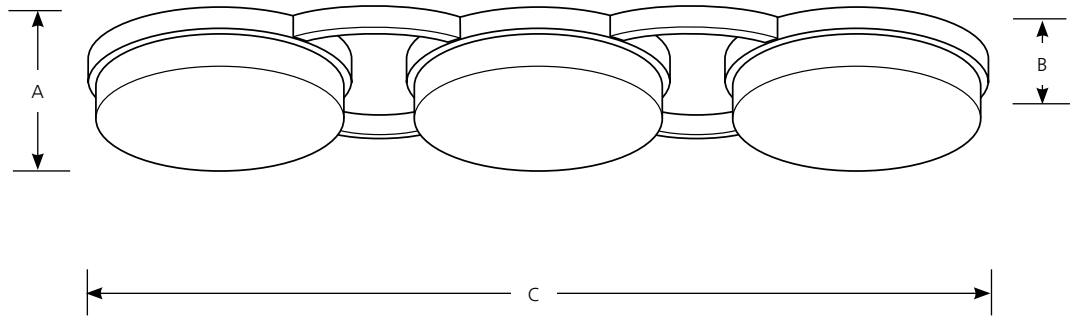
Bingo Energy Star compliant

Close-To-Ceiling

Type _____
-0930K -7430K

P3695

Catalog No.	Finish		Light Source	Dimensions (Inches)		
	Brushed Nickel	Venetian Bronze		A	B	C
P3695	-0930K	-7430K	LED (included)	11-5/8	3-3/8	40



Specifications:

General

- White acrylic diffusers: 11" dia.
- Plated Brushed Nickel (-0930K), Venetian Bronze (-7430K) finishes
- Steel construction
- Complies with "Americans with Disabilities Act" - ADA
- Energy Star Certified
- LED Module is replaceable
- 5 year warranty warranty
- Matching fixtures P3737, P3747 and P3756

Mounting

- Wall or ceiling mount
- ceiling pancovers a standard 4" hexagonal recessed outlet box
- Mounting strap for outlet box included

Electrical

- Pre-wired

Light Engine

- 17w / 0.15 amps at 120VAC, 60Hz
- Lumens: 1195
- 68.1 lumens per watt
- TM-21 42000 hour life
- CCT: 3000K
- 82 CRI
- Dimmable to 10% brightness, see list below for known compatible controls:
 - Lutron: LG-600PH-LA, S-600H, DV-600P, AY-600P, S-600P, FA-600P, Q-600P, DVELV-300P, VTELV-600, NTELV-300, NELV-450
 - Pass & Seymour: DCL453PTCCCV6
 - Leviton: AWRMG-MAW
 - We do not recommend using digital dimmer controls

Labeling

- cCSAus Damp location listed



Progress Lighting
701 Millennium Blvd.
Greenville, South Carolina
29607

www.progresslighting.com

Rev. 07/13