

Type _____

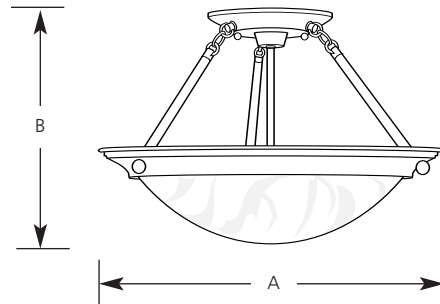
-33

P3483

P3484

P3485

Catalog No.	Finish Cobble- stone	Lamping	Dimensions (Inches)	
			A	B
P3483	-33	2 (m) 100w	15-1/4	10-5/8
P3484	-33	3 (m) 100w	19-3/8	13-1/4
P3485	-33	4 (m) 100w	27-3/8	20-1/2



Specifications:

General

- Faux Tiffany Art glass
- Steel construction
- Hand painted finishes
- Open top design for direct and indirect lighting
- Semi-Flush design for high ceilings
- Companion chandeliers, close to ceiling and wall sconce

Electrical

- Medium base ceramic sockets
- Pre-wired

Labeling

- UL-CUL listed

Mounting

- Ceiling mount
- Covers outlet box
- Mounting strap for outlet box included
- Canopy 5-1/2 " dia.