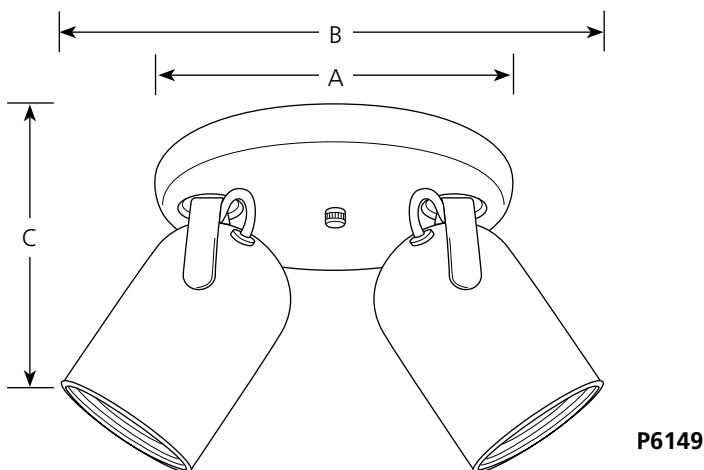


Type	-09	-30	-174
P6149	<input type="checkbox"/>	<input type="checkbox"/>	<input type="checkbox"/>
P6150	<input type="checkbox"/>	<input type="checkbox"/>	<input type="checkbox"/>

Catalog No.	Finish			Lamping	Dimensions (Inches)		
	Brushed Nickel	White	Urban Bronze		A	B	C
P6149	-09	-30	-174	2-50w PAR20	8-1/4	12-1/4	6-1/2
P6150	-09	-30	-174	2-75w PAR30	8-1/4	11-5/8	7



Specifications:

General

- Solid round back style
- Plated Brushed Nickel (-09) and painted white (-30) and Urban Bronze (-174) finishes
- Complete with black plastic baffle
- 180 degree vertical and 360 degree horizontal adjustment.
- Matching single lamp and 50w three lamp units available.
- Steel construction

Electrical

- Ceramic medium based sockets
- Pre-wired

Labeling

- UL-CUL listed

Mounting

- Wall or ceiling mounted
- Canopy covers a standard recessed 4" octagonal outlet box
- Mounting strap for outlet box included