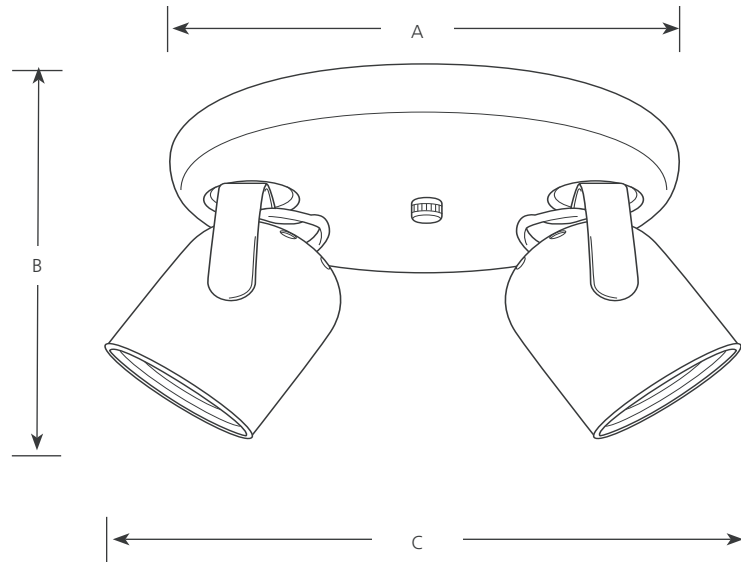


Type _____
 -30WB -174WB
 P6148

Catalog No.	Finish			Dimensions (Inches)		
	White	Urban Bronze	Lamping	A	B	C
P6148	-30WB	-174WB	2-50w MR16 (Included)	8-1/8	4-3/4	9



Specifications:

General

- Solid round back style
- Painted white (-30) and Urban Bronze (-174) finishes
- Complete with black steel baffle
- 180 degree vertical and 360 degree horizontal adjustment.
- Matching single and three lamp units available.
- Steel construction

Mounting

- Wall or ceiling mounted
- Canopy covers a standard recessed 4" octagonal outlet box
- Mounting strap for outlet box included

Electrical

- 120v 50w MR16 lamps included with fixture
- GU10 based sockets
- Pre-wired

Labeling

- UL-CUL Damp location listed