



Ceiling Fan Installation Manual



93099654_C

P2588

Limited Lifetime Warranty

Progress Lighting fan motors are warranted to the original purchaser to be free of electrical and/or mechanical defects for so long as the original purchaser owns the fan. Pull chain switches, reverse switches, capacitors and metal finishes are warranted to be free from defects in materials or workmanship for a period of 1 year from the date of purchase. Warping of wooden or plastic blades is not covered by this warranty nor is corrosion and/or deterioration of any finishes for fans installed within ten miles of any sea coast. Extended warranties for ENERGY STAR® qualified products may apply.

Progress Lighting ceiling fans with built-in LED light sources, when properly installed and under normal conditions of use, are warranted to be free from defects in material and workmanship which cause the light sources to fail to operate in accordance with the specifications for (i) five (5) years from the date of purchase on the LED Light modules and electrical components for fans used in single family residences, and (ii) three (3) years from the date of purchase on the LED Light modules and electrical components for fans used in multi-family or commercial applications. LED bulbs supplied by Progress Lighting carry no warranty other than manufacturer's warranty. Non-LED bulbs carry no warranty.

With proof of purchase, the original purchaser may return the defective fan to the place of purchase during the first 30 days for replacement. After 30 days, the original purchaser MUST contact Progress Lighting at (864) 678-1000 for repair or replacement which shall be determined in Progress Lighting's sole discretion and shall be purchaser's sole and exclusive remedy.

Labor and Shipping Excluded. This warranty does not cover any costs or fees associated with the labor (including, but not limited to, electrician's fees) required to install, remove, or replace a fan or any fan parts.

This warranty shall not apply to any loss or damage resulting from (i) normal wear and tear or alteration, misuse, abuse or neglect, or (ii) improper installation, operation, repair or maintenance by original purchaser or a third party, including without limitation improper voltage supply or power surge, use of improper parts or accessories, unauthorized repair (made or attempted) or failure to provide maintenance to the fan.

THE FOREGOING WARRANTIES STATE PROGRESS LIGHTING'S ENTIRE WARRANTY OBLIGATION AND ORIGINAL PURCHASER'S SOLE AND EXCLUSIVE REMEDY RELATED TO SUCH PRODUCTS. PROGRESS LIGHTING IS NOT RESPONSIBLE FOR DAMAGES (INCLUDING INDIRECT, SPECIAL, INCIDENTAL OR CONSEQUENTIAL), DUE TO PRODUCT FAILURE, WHETHER ARISING OUT OF BREACH OF WARRANTY, BREACH OF CONTRACT, OR OTHERWISE. THIS WARRANTY IS GIVEN IN LIEU OF ALL OTHER WARRANTIES, WHETHER EXPRESSED OR IMPLIED, INCLUDING THOSE OF MERCHANTABILITY, FITNESS FOR A PARTICULAR PURPOSE OR NONINFRINGEMENT.

Some states do not allow limitations on how long an implied warranty lasts or the exclusion or limitations of incidental or consequential damages, so the above limitations and exclusions may not apply to you. This warranty gives you specific rights and you may have other rights which vary from state to state.

Date Purchased _____

Store Purchased _____

Model No. P2588

Serial No. _____

Vendor No. 109226

- 785247230242
- 785247230235
- 785247230228
- 785247229147
- 785247229154

UPC _____



Safety Rules.....	1.
Unpacking Your Fan	2.
Installing Your Fan	3.
Installing the Light Kit	7.
Operating Your Transmitter	8.
Care of Your Fan	10.
Troubleshooting	11.
Specifications	12.

Table of Contents

1. To reduce the risk of electric shock, insure electricity has been turned off at the circuit breaker or fuse box before beginning.
2. All wiring must be in accordance with the National Electrical Code and local electrical codes. Electrical installation should be performed by a qualified licensed electrician.
3. **WARNING:** To reduce the risk of electrical shock and fire, do not use this fan with any solid-state fan speed control device.
4. **WARNING:** To reduce the risk of fire, electric shock, or personal injury, mount to outlet box marked "Acceptable for Fan Support of 15.9 kg (35 lbs.) Or Less" and use mounting screws provided with the outlet box. Most outlet boxes commonly used for the support of light fixtures are not acceptable for fan support and may need to be replaced. Due to the complexity of the installation of this fan, a qualified licensed electrician is strongly recommended.
8. Avoid placing objects in the path of the blades.
9. To avoid personal injury or damage to the fan and other items, be cautious when working around or cleaning the fan.
10. Do not use water or detergents when cleaning the fan or fan blades. A dry dust cloth or lightly dampened cloth will be suitable for most cleaning.
11. After making electrical connections, spliced conductors should be turned upward and pushed carefully up into the outlet box. The wires should be spread apart with the grounded conductor and the equipment-grounding conductor on one side of the outlet box.
12. Electrical diagrams are for reference only. Light kits that are not packed with the fan must be cUL Listed and marked suitable for use with the model fan you are installing. Switches must be cUL General Use Switches. Refer to the Instructions packaged with the light kits

WARNING

TO REDUCE THE RISK OF FIRE, ELECTRIC SHOCK OR PERSONAL INJURY, MOUNT FAN TO OUTLET BOX MARKED ACCEPTABLE FOR FAN SUPPORT.

5. The outlet box and support structure must be securely mounted and capable of reliably supporting a minimum of 35 lbs (15.9 kg) or less. Use only cUL-listed outlet boxes marked **FOR FAN SUPPORT**.
6. The fan must be mounted with a minimum of 7 ft (2.1m) clearance from the trailing edge of the blades to the floor.
7. To operate the reverse function on this fan, press the reversing button while the fan is running.

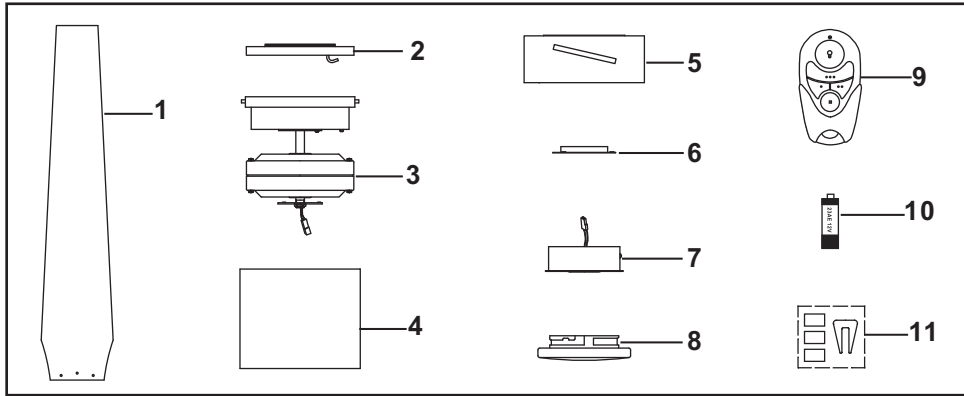
WARNING

TO REDUCE THE RISK OF PERSONAL INJURY, DO NOT BEND THE BLADE ARMS (ALSO REFERRED TO AS BRACKETS) DURING ASSEMBLY OR AFTER INSTALLATION. DO NOT INSERT OBJECTS IN THE PATH OF THE BLADES.

NOTE

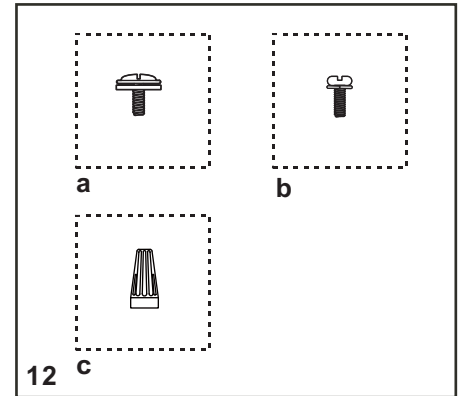
READ AND SAVE ALL INSTRUCTIONS!

1. Safety Rules



Unpack your fan and check the contents. You should have the following items:

- | | |
|-----------------------|----------------------------------------|
| 1. Set of blades (3) | 7. 18W LED Light kit |
| 2. Mounting bracket | 8. Glass shade |
| 3. Fan motor assembly | 9. Transmitter incl. 2 mounting screws |
| 4. Motor housing | 10. 12V MN21/A23 battery |
| 5. Blade holder | 11. Balancing kit |
| 6. Mounting plate | |



12. Loose parts bag containing:

- a. Blade attachment hardware**
(10 screws, 10 fiber washers)
- b. Blade holder attachment hardware**
6 screws with lock washers (1 extra)
- c. Mounting hardware**
Wire nuts (3)

Unpacking Your Fan 2.

Tools Required

Phillips screw driver, straight slot screw driver, adjustable wrench, step ladder, and wire cutters.

Mounting Options

If there isn't an existing cUL listed mounting box, then read the following instructions. Disconnect the power by removing fuses or turning off circuit breakers.

Secure the outlet box directly to the building structure. Use appropriate fasteners and building materials. The outlet box and its support must be able to fully support the moving weight of the fan (at least 35 lbs). Do not use plastic outlet boxes.

WARNING

TO REDUCE THE RISK OF FIRE, ELECTRIC SHOCK, OR OTHER PERSONAL INJURY, MOUNT FAN ONLY TO AN OUTLET BOX MARKED ACCEPTABLE FOR FAN SUPPORT AND USE THE MOUNTING SCREWS PROVIDED WITH THE OUTLET BOX. OUTLET BOXES COMMONLY USED FOR THE SUPPORT OF LIGHTING FIXTURES MAY NOT BE ACCEPTABLE FOR FAN SUPPORT AND MAY NEED TO BE REPLACED. CONSULT A QUALIFIED ELECTRICIAN IF IN DOUBT.

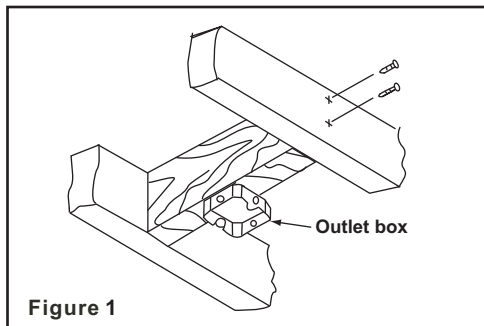


Figure 1

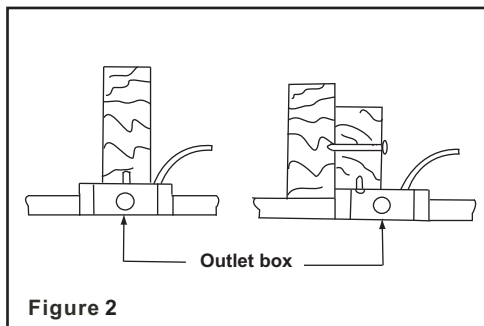


Figure 2

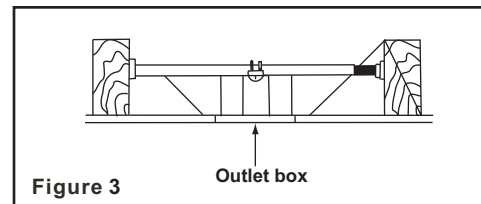


Figure 3

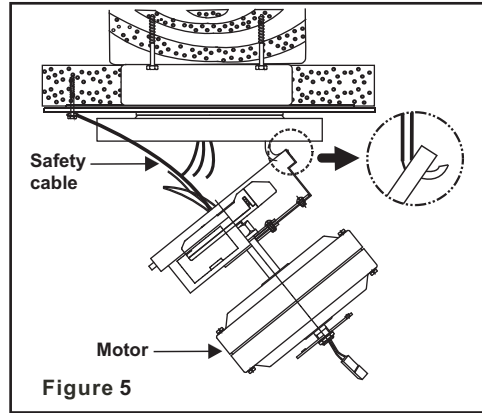
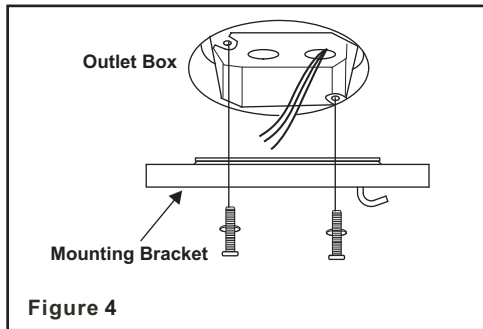
To hang your fan where there is an existing fixture but no ceiling joist, you may need an installation hanger bar as shown in Figure 3 (available at your Progress Lighting Retailer).

3. Installing Your Fan

Hanging the Fan

REMEMBER to turn off the power. Follow the steps below to hang your fan properly.

1. Attach the mounting bracket to the outlet box with two screws and washers provided with the outlet box. Make sure the bracket is tight and secured (Fig. 4).
2. Lift fan into position by hanging the motor assembly onto the hook from the ceiling mounting bracket allowing it to hang freely (Fig. 5).
3. Secure the safety cable to the building structure with a wood screw. (wood screw not supplied) (Fig. 5)



Making the Electrical Connections

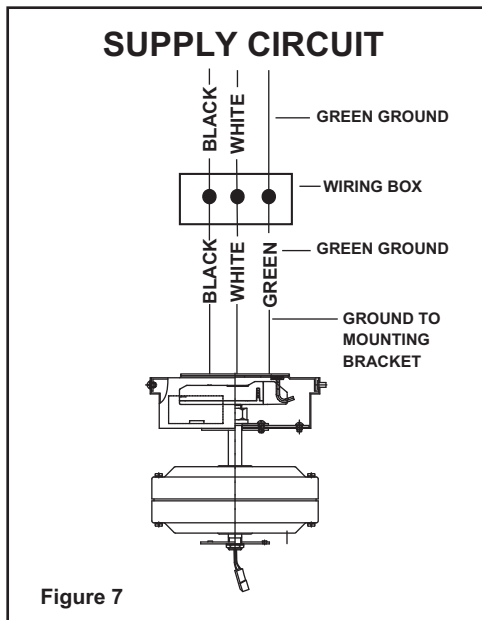
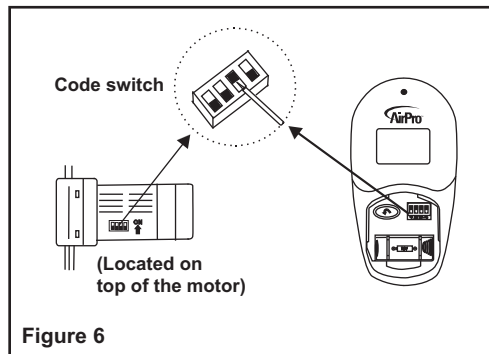
WARNING: To avoid possible electrical shock, be sure electricity is turned off at the main fuse box before wiring.

NOTE: This remote control unit is equipped with 16 code combinations to prevent possible interference from or to other remote units. The frequency switches on your receiver and transmitter have been preset at the factory. Please recheck to make sure the switches on the transmitter and the receiver are set to the same position, any combination of settings will operate the fan as long as the transmitter and receiver are set to the same position. (Fig. 6)

Step 1. (Fig. 7) Receiver to House Supply Wires Electrical Connections: Connect the black (hot) wire from the ceiling to the black wire marked "AC in L" from the receiver. Connect the white (neutral) wire from the ceiling to the white wire marked "AC in N" from the Receiver. Secure the wire connections with the plastic wire nuts provided.

Step 2. (Fig. 7) If your outlet box has a ground wire (green or bare copper) connect it to the fan ground wires; otherwise connect the hanging bracket ground wire to the mounting bracket. Secure the wire connection with a plastic nut. After connecting the wires spread them apart so that the green and white wires are on one side of the outlet box and black wires are on the other side. Carefully tuck the wire connections up into the outlet box.

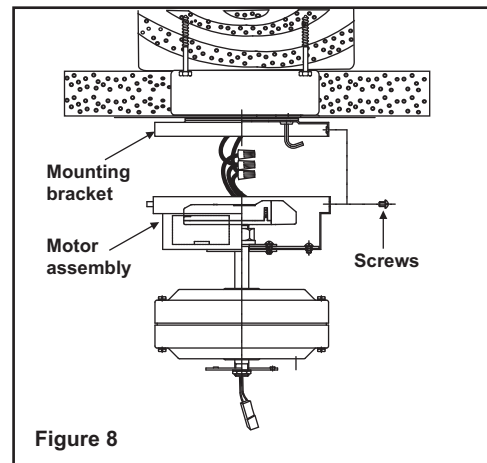
NOTE: Fan must be installed at a maximum distance of 20 feet from the transmitting unit for proper signal transmission between the transmitting unit and the fan's receiving unit.



Finishing the Fan Installation

Step 1. Move fan into position over the four mounting bracket and secure with the 4 screws provided. (Fig. 8)

Step 2. Raise the motor housing up against the mounting bracket, the four supports inside the housing should be placed against the four studs on mounting bracket, twist the housing clockwise until snug (Fig. 9).



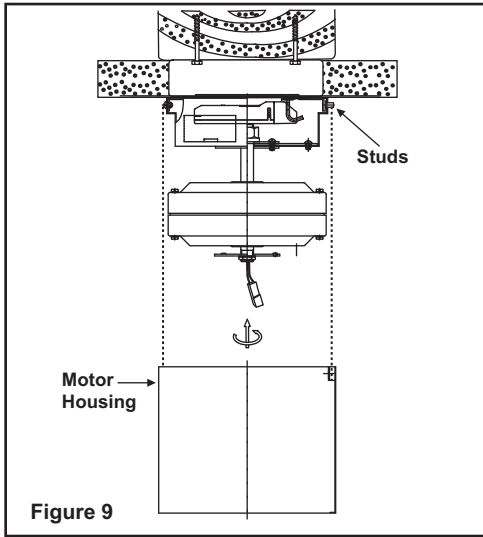


Figure 9

Attaching the Fan Blades

Step 1. Insert the blade through the slot in the blade holder. Align the holes in the blade and the fan blade holder and secure with a the screw and fiber washer. (Fig. 10)

Step 2. Tighten each screw securely starting with the center screw. Make sure the blade is straight. Repeat steps for the remaining blades.

Step 3. Fasten the blade holder assemblies to the motor by tighten the five screws with lock washers provided. (Fig. 11)

WARNING: TO REDUCE THE RISK OF PERSONAL INJURY, DO NOT BEND THE BLADE ARMS WHILE INSTALLING, BALANCING THE BLADES, OR CLEANING THE FAN. DO NOT INSERT FOREIGN OBJECTS BETWEEN ROTATING FAN BLADES.

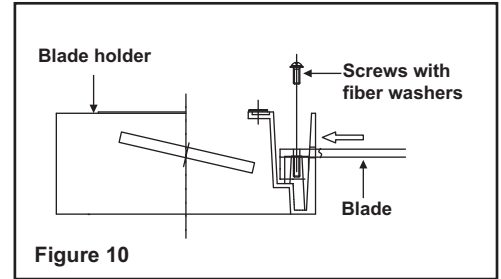


Figure 10

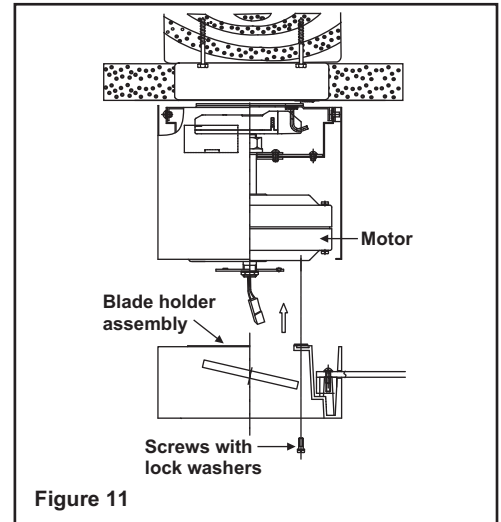
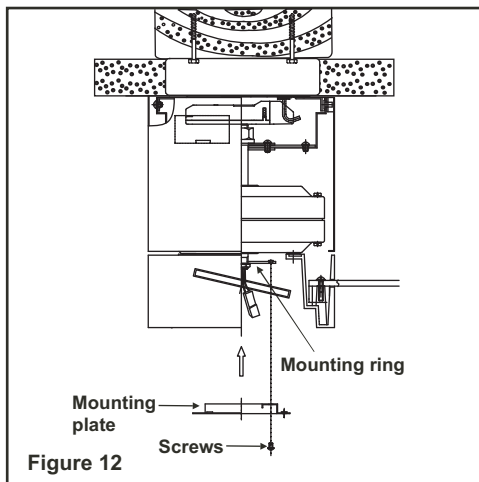


Figure 11

Installing the Mounting Plate

Step 1. Remove 1 of the 3 screws from the mounting ring and loosen the other 2 screws. (Do not remove)

Step 2. Place the key holes on the mounting plate over the 2 screws previously loosened from the mounting ring, turn mounting plate until it locks in place at the narrow section of the key holes. Secure by tightening the 2 screws previously loosened and the one previously removed. (Fig. 12)



CAUTION: Before starting installation, disconnect the power by turning off the circuit breaker or removing the fuse at fuse box. Turning power off using the fan switch is not sufficient to prevent electric shock.

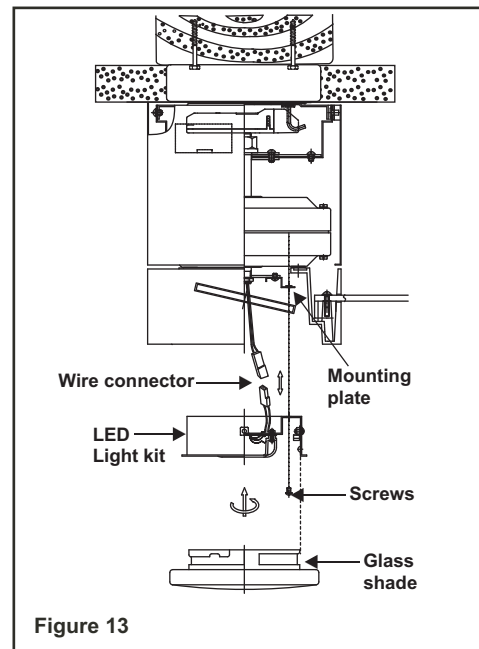
1. Remove 1 of 3 screws from the mounting plate and loosen the other 2 screws. (Do not remove)

2. While holding the LED light kit under the fan motor assembly, make the 2-pin wire connections:

- White to white
- Black to blue

3. Place the key holes in the LED light kit over the two mounting screws previously loosened from the mounting plate. Turn the LED light kit until the LED light kit locks in place at the narrow section of the key holes. Secure by tightening the two screws previously loosened and the one previously removed. (Fig. 13)

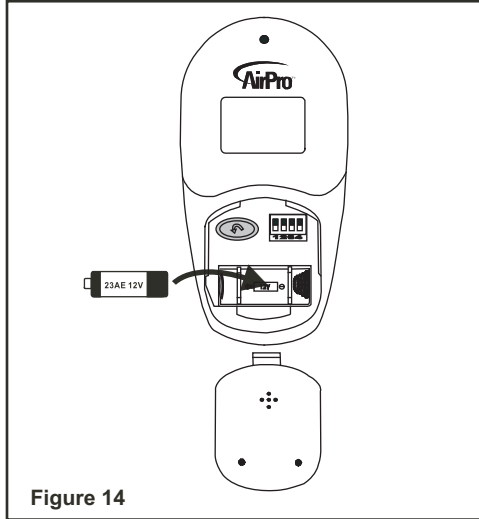
4. Raise the glass shade up against the LED light kit and secure it to the fan by turning the glass shade clockwise until snug. DO NOT OVERTIGHTEN. (Fig. 13)



7. Installing the Light Kit

Installing the battery

Install 12V MN21/A23 battery (included), to prevent damage to transmitter, remove the battery if not used for long periods.



Restore power to ceiling fan and test for proper operation.

1. "●, ●●, ●●●" buttons:

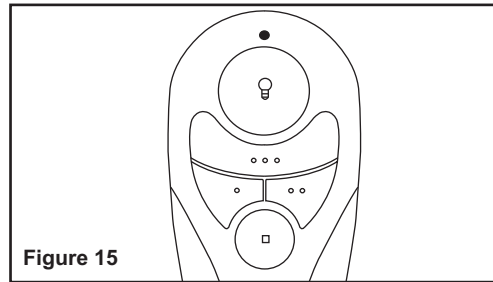
These three buttons are used to set the fan speed as follows:

- = Low speed
- = Medium speed
- = High speed

2. "⌚" button: (Fig. 14)

This button controls fan direction.

3. The "💡" button turns the light ON or OFF and also controls the brightness setting. Press and release the button to turn the light ON or OFF. Press and hold the button to set the desired brightness. The light key has an auto-resume, it will stay at the same brightness as the last time it was turned off.



4. "■" button:

This button turns the fan off.

NOTE: To operate the reverse function on this fan, press the reverse button while the fan is running.

Speed settings for warm or cool weather depend on factors such as the room size, ceiling height, number of fans, etc.

Warm weather - (Forward) A downward air flow creates a cooling effect as shown in Figure 16. This allows you to set your air conditioner on a higher setting without affecting your comfort.

Cool weather - (Reverse) An upward airflow moves warm air off the ceiling area as shown in Figure 17. This allows you to set your heating unit on a lower setting without affecting your comfort.

Operating Your Transmitter 8.

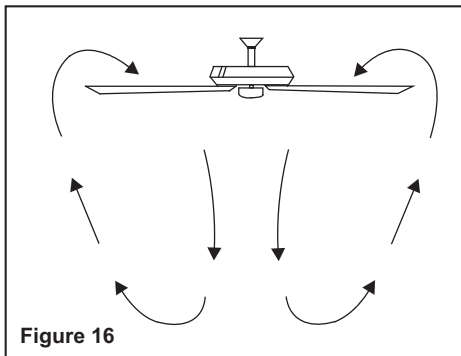


Figure 16

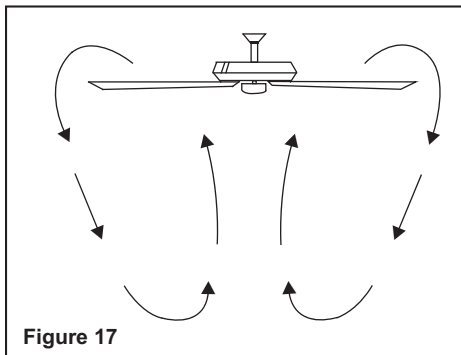


Figure 17

Blade balancing

All blades are grouped by weight. Because natural woods vary in density, the fan may wobble even though the blades are weighed equally.

The following procedure should correct most fan wobbling problems. Check after each step.

1. Check that all blade and blade arm screws are secure.
2. Most fan wobbling problems are caused when blade levels are unequal. Check this level by selecting a point on the ceiling above the tip of one of the blades. Measure this distance as shown in Fig. 18. Rotate the fan until the next blade is positioned for measurement. Repeat for each blade. The distance deviation should be equal within 1/8".
3. Use the enclosed Blade Balancing Kit if the blade wobble is still noticeable.
4. If the blade wobble is still noticeable, interchanging two adjacent (side by side) blades can redistribute the weight and possibly result in smoother operation.

WARNING

TO REDUCE THE RISK OF PERSONAL INJURY, DO NOT BEND THE BLADE HOLDERS WHILE INSTALLING, BALANCING THE BLADES, OR CLEANING THE FAN. DO NOT INSERT FOREIGN OBJECTS BETWEEN ROTATING FAN BLADES.

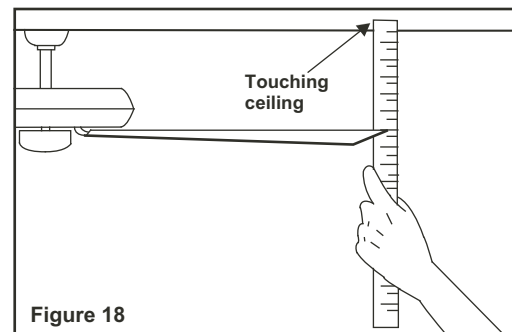


Figure 18

Here are some suggestions to help you maintain your fan

1. Because of the fan's natural movement, some connections may become loose. **Check the support connections, brackets, and blade attachments twice a year.** Make sure they are secure. **(It is not necessary to remove fan from ceiling.)**

2. Clean your fan periodically to help maintain its new appearance over the years. Use only a soft brush or lint-free cloth to avoid scratching the finish. The plating is sealed with a lacquer to minimize discoloration or tarnishing. Do not use water when cleaning. This could damage the motor, or the wood, or possibly cause an electrical shock.

3. You can apply a light coat of furniture polish to the wood blades for additional protection and enhanced beauty. Cover small scratches with a light application of shoe polish.

4. **There is no need to oil your fan.** The motor has permanently lubricated bearings.

IMPORTANT
MAKE SURE THE POWER IS OFF AT THE
ELECTRICAL PANEL BOX BEFORE YOU
ATTEMPT ANY REPAIRS. REFER TO THE
SECTION "MAKING ELECTRICAL
CONNECTIONS"

Care of Your Fan 10.

Problem

Solution

Fan will not start.

1. Check circuit fuses or breakers.
2. Check line wire connections to the fan and switch wire connections in the switch housing.
CAUTION: Make sure main power is off.
3. Check to make sure the dip switches from the transmitter and receiver are set to the same frequency.

Fan sounds noisy.

1. Make sure all motor housing screws are snug.
2. Make sure the screws that attach the fan blade bracket to the motor hub is tight.
3. Make sure wire nut connections are not rubbing against each other or the interior wall of the switch housing.
CAUTION: Make sure main power is off.
4. Allow a 24-hour "breaking-in" period. Most noise associated with a new fan disappear during this time.
5. If using an optional light kit, make sure the screws securing the lampshade are tight. Check that light bulb is also secure.
6. Some fan motors are sensitive to signals from solid-state variable speed controls. If you have installed this type of control, choose and install another type of control.
7. Make sure the upper canopy is a short distance from the ceiling. It should not touch the ceiling.

Remote control
malfunction

1. Do not connect the fan with wall mounted variable speed control (s).
2. Make sure the dip switches are set correctly.

11. Troubleshooting

Fan Size	Speed	Volts	Amps	Watts	RPM	CFM	N.W.	G.W.	C.F.
56"	Low	120	0.25	14.29	81	1820.61	19.18 lbs	21.61 lbs	1.77'
	High	120	0.47	55.01	181	4263.21			

These are approximate measures. They do not include Amps and Wattage used by the light kit.

This device complies with part 15 of the FCC Rules. Operation is subject to the following two conditions: (1) This device may not cause harmful interference, and (2) this device must accept any interference received, including interference that may cause undesired operation.

Warning: Changes or modifications to this unit not expressly approved by the party responsible for compliance could void the user's authority to operate the equipment.

NOTE: This equipment has been tested and found to comply with the limits for a Class B digital device, pursuant to Part 15 of the FCC Rules. These limits are designed to provide reasonable protection against harmful interference in a residential installation. This equipment generates, uses and can radiate radio frequency energy and, if not installed and used in accordance with the instructions, may cause harmful interference to radio communications.

However, there is no guarantee that interference will not occur in a particular installation. If this equipment does cause harmful interference to radio or television reception, which can be determined by turning the equipment off and on, the user is encouraged to try to correct the interference by one or more of the following measures:

- Reorient or relocate the receiving antenna.
- Increase the separation between the equipment and receiver.
- Connect the equipment into an outlet on a circuit different from that to which the receiver is connected.
- Consult the dealer or an experienced radio/TV technician for help.

©2020 Progress Lighting, Inc.
701 Millennium Blvd.,
Greenville, SC 29607
All Rights Reserved

Specifications 12.

Manuel d'installation du ventilateur de plafond



Garantie limitée à vie

Progress Lighting garantit à l'acheteur initial que les moteurs de ventilateur sont exempts de défauts électriques ou mécaniques tant que l'acheteur initial est propriétaire du ventilateur. Les interrupteurs à chaînette, les interrupteurs inverseurs, les condensateurs et les finis métalliques sont garantis contre les défauts de matériaux ou de fabrication pendant une période d'un an à partir de la date d'achat. Le gauchissement des pales de bois ou de plastique n'est pas couvert par la présente garantie, ni la corrosion ou la détérioration du fini des ventilateurs installés à moins de dix milles d'un bord de mer. Les garanties prolongées pour les produits homologués ENERGY STAR® peuvent s'appliquer.

Lorsqu'ils sont installés correctement et dans des conditions d'utilisation normales, les ventilateurs de plafond Progress Lighting dotés d'une source lumineuse à DEL intégrée sont garantis contre les défauts de matériaux et de fabrication causant le non fonctionnement de la source lumineuse selon les spécifications pendant (i) cinq (5) ans à partir de la date d'achat des modules d'éclairage à DEL et des composants électriques des ventilateurs pour les résidences unifamiliales et (ii) trois (3) ans à partir de la date d'achat des modules d'éclairage à DEL et des composants électriques des ventilateurs pour les résidences multifamiliales et pour les utilisations commerciales. Les ampoules à DEL fournies par Progress Lighting ne sont assorties d'aucune autre garantie que celle du fabricant. Les ampoules autres qu'à DEL ne sont assorties d'aucune garantie.

En fournissant la preuve d'achat, l'acheteur initial peut retourner le ventilateur défectueux à son lieu d'achat pendant les 30 premiers jours afin qu'il soit remplacé. Après 30 jours, l'acheteur initial DOIT communiquer avec Progress Lighting au 864 678-1000 pour la réparation ou le remplacement du ventilateur, ce qui sera déterminé exclusivement par Progress Lighting et constituera le seul et unique recours de l'acheteur.

Main-d'œuvre et expédition exclus. La présente garantie ne couvre par les coûts et les frais associés à la main-d'œuvre (y compris, sans s'y limiter, les frais d'électricien) nécessaires à l'installation, au retrait ou au remplacement du ventilateur ou des pièces du ventilateur.

La présente garantie ne s'applique pas en cas de perte ou de dommage découlant (i) de l'usure normale, de l'altération ou d'un usage incorrect, abusif ou négligent ou (ii) d'une installation, d'une utilisation, d'une réparation ou d'un entretien inadéquats par l'acheteur initial ou un tiers, y compris, sans s'y limiter, une tension électrique inadéquate ou une surtension, l'utilisation de pièces ou d'accessoires inadéquats, une réparation non autorisée (effectuée ou tentée) ou l'omission d'entretenir le ventilateur.

LES GARANTIES QUI PRÉCÈDENT ÉNONCENT L'ENTIÈRE RESPONSABILITÉ DE PROGRESS LIGHTING AU CHAPITRE DE LA GARANTIE AINSI QUE LE SEUL ET UNIQUE RECOURS DE L'ACHETEUR LIÉ À CES PRODUITS. PROGRESS LIGHTING N'EST PAS RESPONSABLE DES DOMMAGES (Y COMPRIS LES DOMMAGES INDIRECTS, SPÉCIAUX, ACCESSOIRES OU CONSÉCUTIFS) ATTRIBUABLES À LA DÉFECTUOSITÉ DU PRODUIT, QU'ILS SOIENT LIÉS À UNE VIOLATION DE LA GARANTIE, UNE VIOLATION DU CONTRAT OU AUTRE. LA PRÉSENTE GARANTIE REMPLACE TOUTE AUTRE GARANTIE, EXPRESSE OU IMPLICITE, Y COMPRIS TOUTE GARANTIE DE QUALITÉ MARCHANDE, D'UTILITÉ À UNE FIN PARTICULIÈRE OU D'ABSENCE DE CONTREFAÇON.

Certains États ne permettent pas de limitation à la durée implicite d'une garantie ou d'exclusion ou de limitation des dommages accessoires ou consécutifs. Par conséquent, les limitations ci-dessus pourraient ne pas s'appliquer à vous. La présente garantie vous accorde des droits précis et vous pourriez avoir d'autres droits qui peuvent varier d'un État à l'autre.

Date d'achat _____

Magasin _____

N° de modèle P2588

N° de série _____

N° du fournisseur 109226

785247230242

785247230235

785247230228

785247229147

785247229154

CUP _____

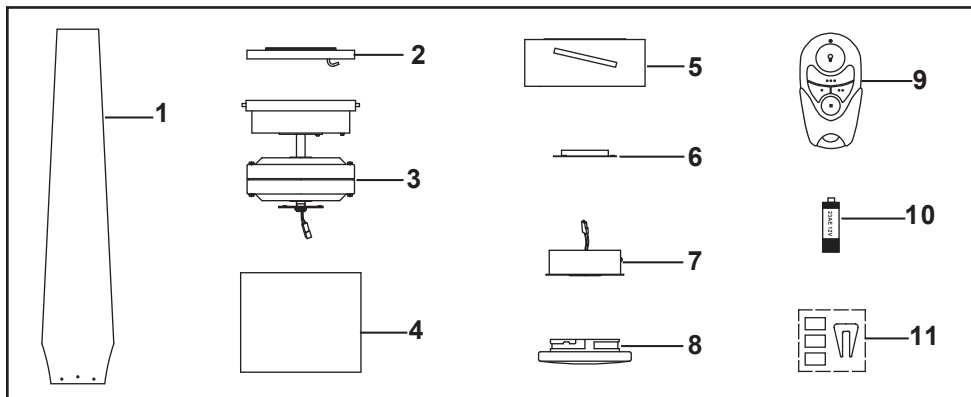


Règles de sécurité	1.
Déballage de votre ventilateur	2.
Installation de votre ventilateur	3.
Installation de l'ensemble d'éclairage	7.
Utilisation de votre émetteur	8.
Entretien de votre ventilateur	10.
Dépannage	11.
Caractéristiques techniques	12.

Table des matières

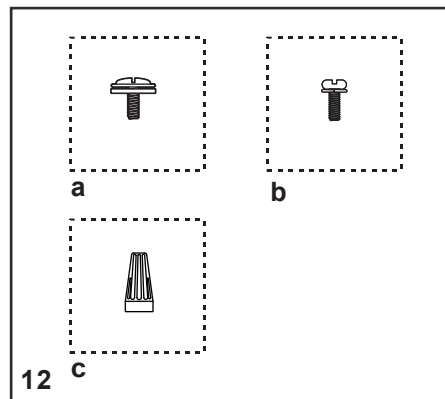
1. Afin de réduire les risques de choc électrique, vous assurer que l'électricité a été coupée au disjoncteur ou à la boîte à fusibles avant de commencer.
 2. Tout le câblage doit être conforme aux codes de l'électricité national et local. L'installation électrique doit être effectuée par un électricien agréé qualifié.
 3. **AVERTISSEMENT** : Afin de réduire les risques de choc électrique et d'incendie, ne pas utiliser ce ventilateur avec un dispositif de contrôle de la vitesse à semi-conducteur.
 4. **AVERTISSEMENT** : Afin de réduire les risques d'incendie, de choc électrique ou de blessure, installer à une boîte de sortie indiquée « Acceptable pour support de ventilateur de 15,9 kg (35 lb) ou moins » et utiliser les vis de montage fournies avec la boîte de sortie. La plupart des boîtes de sortie couramment utilisées pour le support de luminaires ne sont pas acceptables pour le support d'un ventilateur et doivent être remplacées. Compte tenu de la complexité de l'installation de ce ventilateur, il est fortement recommandé de faire appel à un électricien agréé qualifié.
- AVERTISSEMENT**
AFIN DE RÉDUIRE LES RISQUES D'INCENDIE, DE CHOC ÉLECTRIQUE
OU DE BLESSURE, INSTALLER À UNE BOÎTE DE SORTIE INDIQUÉE
ACCEPTABLE POUR SUPPORT DE VENTILATEUR.
5. La boîte de sortie et la structure de support doivent être solidement installées et en mesure de supporter de manière fiable un poids de 15,9 kg (35 lb) ou moins. N'utiliser que des boîtes de sortie homologuées eUL et portant l'indication **POUR SUPPORT DE VENTILATEUR**.
 6. Le ventilateur doit être installé en prévoyant un dégagement minimal de 2,1 m (7 pi) entre le bord de fuite des pales et le plancher.
 7. Pour utiliser la fonction d'inversion du sens de rotation de ce ventilateur, appuyer sur le bouton d'inversion pendant que le ventilateur fonctionne.
 8. Éviter de placer des objets dans le passage des pales.
 9. Pour éviter les blessures ou les dommages au ventilateur ou à d'autres articles, faire preuve de prudence lorsque vous travaillez à proximité du ventilateur ou que vous le nettoyez.
 10. Ne pas utiliser d'eau ou de détergent lorsque vous nettoyez le ventilateur ou les pales du ventilateur. Un linge sec ou légèrement humide convient la plupart du temps.
 11. Une fois les branchements électriques réalisés, les conducteurs épissés doivent être tournés vers le haut et poussés délicatement dans la boîte de sortie. Les fils doivent être séparés et le conducteur mis à la terre ainsi que le conducteur de mise à la terre de l'équipement doivent être placés d'un côté de la boîte de sortie.
 12. Les schémas électriques sont à titre de référence uniquement. Les ensembles d'éclairage qui ne sont pas emballés avec le ventilateur doivent être homologués eUL et porter une marque indiquant qu'ils conviennent pour le modèle de ventilateur que vous installez. Les interrupteurs doivent être homologués cUL pour usage général. Vous reporter aux instructions qui accompagnent les ensembles d'éclairage.
- AVERTISSEMENT**
AFIN DE RÉDUIRE LE RISQUE DE BLESSURE, NE PAS PLIER LES BRAS DES
PALES (AUSSI APPELÉS SUPPORTS) PENDANT OU APRÈS L'INSTALLATION.
NE PAS INSÉRER D'OBJETS DANS LA TRAJECTOIRE DES PALES.
- REMARQUE**
LIRE ET CONSERVER TOUTES LES INSTRUCTIONS!

1. Règles de sécurité



Déballer votre ventilateur et vérifiez le contenu. Vous devriez avoir les articles suivants :

- | | |
|--------------------------|----------------------------------------|
| 1. Ensemble de pales (3) | 7. Ensemble d'éclairage à DEL de 18 W |
| 2. Support de fixation | 8. Abat-jour en verre |
| 3. Moteur du ventilateur | 9. Émetteur, avec deux vis de fixation |
| 4. Boîtier du moteur | 10. Pile MN21/A23 de 12 V |
| 5. Support de pale | 11. Ensemble d'équilibrage |
| 6. Plaque de montage | |



12. Sacs de pièces en vrac contenant:

- a. Matériel de fixation des pales**
(10 vis, 10 rondelles en fibre)
- b. Matériel de fixation des supports de pale**
Six vis avec rondelles de blocage (une en plus)
- c. Matériel d'installation**
Capuchons de connexion (3)

Déballage de votre ventilateur 2.

Outils requis

Tournevis cruciforme, tournevis à pointe plate, clé réglable, escabeau et pince coupe-fils.

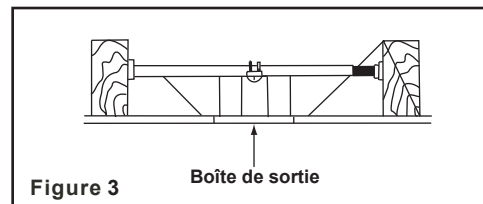
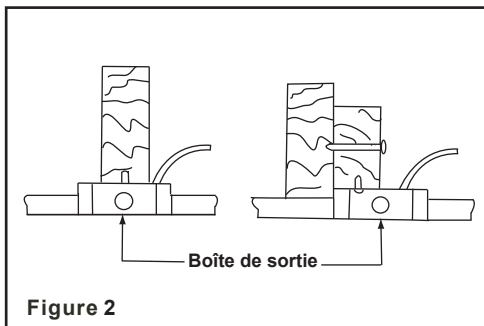
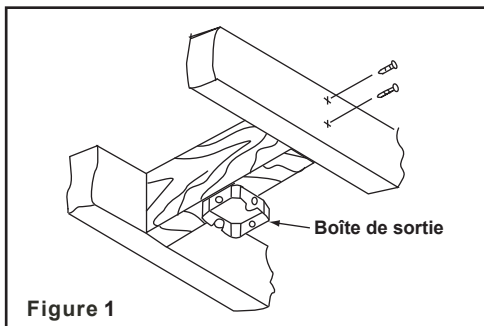
Options de montage

S'il n'y a pas de boîte de montage homologuée cUL en place, lisez les instructions suivantes. Coupez l'alimentation en retirant les fusibles ou en fermant le disjoncteur.

Fixez la boîte de sortie directement sur la structure de la bâtisse. Utilisez des attaches et des matériaux de construction appropriés. La boîte de sortie et son support doivent pouvoir bien supporter le poids du ventilateur en mouvement (au moins 35 lb). N'utilisez pas de boîte de sortie en plastique.

AVERTISSEMENT

AFIN DE RÉDUIRE LES RISQUES D'INCENDIE, DE CHOC ÉLECTRIQUE OU DE BLESSURE, INSTALLER LE VENTILATEUR SEULEMENT À UNE BOÎTE DE SORTIE INDIQUÉE « ACCEPTABLE POUR SUPPORT DE VENTILATEUR » ET UTILISER LES VIS DE MONTAGE FOURNIES AVEC LA BOÎTE DE SORTIE. LA PLUPART DES BOÎTES DE SORTIE COURAMMENT UTILISÉES POUR LE SUPPORT DE LUMINAIRES NE SONT PAS ACCEPTABLES POUR LE SUPPORT D'UN VENTILATEUR ET DOIVENT ÊTRE REMPLACÉES, DANS LE DOUTE, CONSULTER UN ÉLECTRICIEN AGRÉÉ QUALIFIÉ.



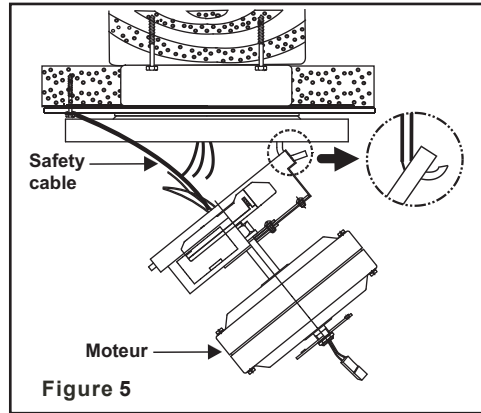
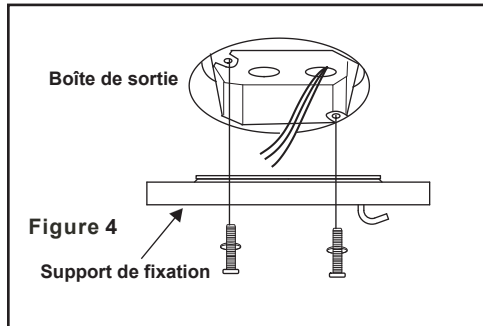
Pour installer votre ventilateur dans un boîtier existant, mais sans solive de plafond, vous pourriez avoir besoin d'une barre d'installation, comme illustré à la Figure 3 (en vente chez votre détaillant Progress Lighting).

3. Installation de votre ventilateur

Suspension du ventilateur

N'OUBLIEZ PAS de couper l'alimentation électrique. Suivez les étapes ci-dessous pour suspendre correctement votre ventilateur.

1. À l'aide des deux vis et deux rondelles fournies avec votre boîte de sortie, fixez le support de suspension à la boîte de sortie. Assurez-vous que le support est bien serré et solide (Fig. 4).
2. Mettez le ventilateur en position en suspendant l'ensemble du moteur sur le crochet de fixation au plafond pour lui permettre de pendre librement (Fig. 5)""
3. À l'aide d'une vis à bois (non incluse), fixez le fil de sécurité à la structure de la bâtisse.



Branchements électriques

AVERTISSEMENT : Afin d'éviter un possible choc électrique, assurez-vous de couper l'alimentation électrique à la boîte à fusibles principale avant de procéder au câblage.

REMARQUE : Cette télécommande est pourvue de 16 combinaisons afin de prévenir toute interférence possible avec d'autres télécommandes. Les molettes de sélection de fréquence sur votre récepteur et votre émetteur ont été préréglées à l'usine. Veuillez vérifier à nouveau pour vous assurer que les molettes de l'émetteur et du récepteur sont réglées à la même position. Les combinaisons de réglages commanderont le ventilateur tant que l'émetteur et le récepteur seront réglés à la même position. (Fig. 6)

Étape 1. (Fig. 7) Du récepteur aux branchements électriques des fils de l'alimentation de la maison : Branchez le fil noir (chaud) du plafond au fil noir du récepteur marqué « AN in L ». Branchez le fil blanc (neutre) du plafond au fil blanc du récepteur marqué « AN in N ». Consolidez les branchements à l'aide des capuchons de connexion en plastique fournis. Secure the wire connections with the plastic wire nuts provided.

Étape 2. Si votre boîte de sortie est munie d'un fil de mise à la terre (vert ou cuivre nu), branchez-le aux fils de mise à la terre du ventilateur. Sinon, branchez le fil de mise à la terre du support de suspension au support de fixation. Consolidez le branchement à l'aide d'un capuchon en plastique fourni. Après avoir branché les fils, séparez-les de façon à ce que les fils vert et blanc soient d'un côté de la boîte de sortie et que les fils noirs soient de l'autre côté. Poussez délicatement les fils branchés pour les loger dans la boîte de sortie.

REMARQUE : Pour une transmission adéquate des signaux entre l'émetteur et le ventilateur, le ventilateur doit être installé à une distance maximale de 20 pieds de l'émetteur.

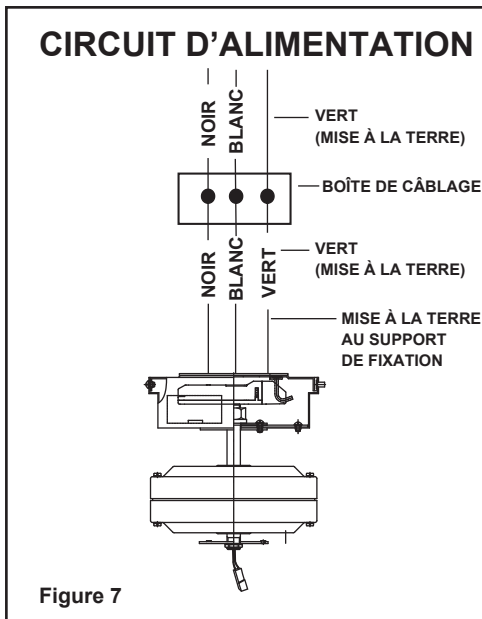
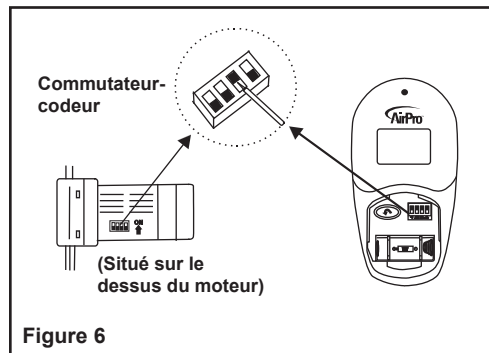


Figure 7

Achèvement de l'installation du ventilateur

Étape 1. Mettez le ventilateur en position sur les quatre supports de fixation et fixez à l'aide des quatre vis fournies. (Fig. 8)

Étape 2. Soulevez le boîtier du moteur et placez-le contre le support de fixation. Les quatre supports à l'intérieur du boîtier doivent être placés contre les quatre goujons du support de fixation. Tournez le boîtier dans le sens horaire jusqu'à ce qu'il soit serré (Fig. 9).

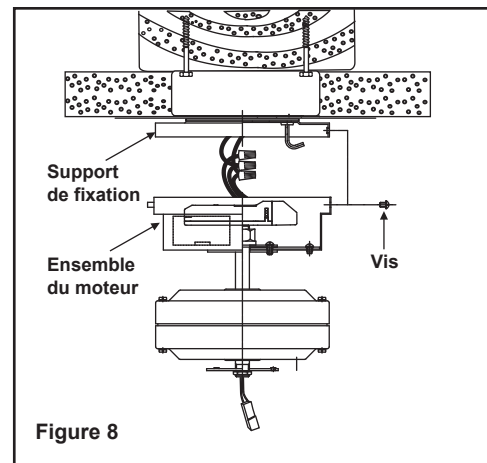


Figure 8

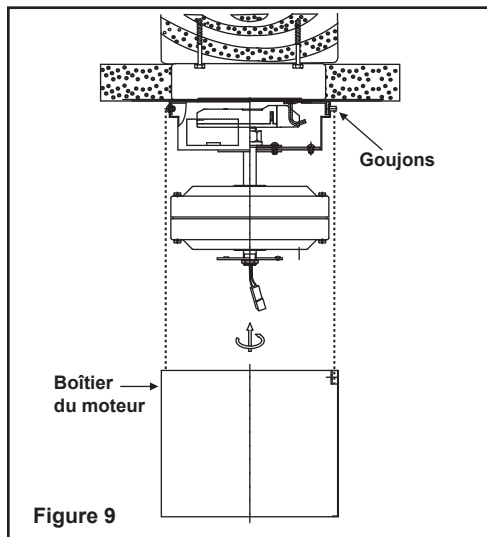


Figure 9

Fixation des pales du ventilateur

Étape 1. Insérez la pale dans le support de pale. Alignez les trous de la pale et du support de pale, puis fixez à l'aide d'une vis et d'une rondelle en fibre. (Fig. 10)

Étape 2. Serrez chaque vis solidement en commençant par la vis du centre. Assurez-vous que la pale est droite. Répétez ces étapes pour les pales restantes.

Étape 3. Fixez les supports de pale au moteur en serrant les cinq vis avec les rondelles de blocage fournies. (Fig. 11)

AVERTISSEMENT : AFIN DE RÉDUIRE LE RISQUE DE BLESSURE, NE PAS PLIER LES SUPPORTS DES PALES PENDANT L'INSTALLATION OU LE NETTOYAGE DU VENTILATEUR ET L'ÉQUILIBRAGE DES PALES. NE PAS INSÉRER D'OBJET EXTÉRIEUR ENTRE LES PALES DU VENTILATEUR LORSQU'ELLES SONT EN MOUVEMENT.

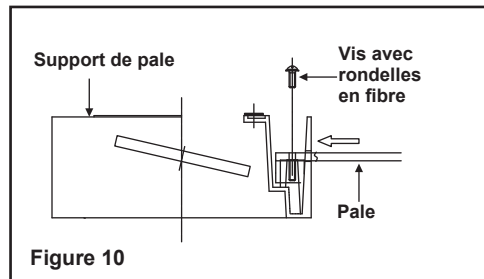


Figure 10

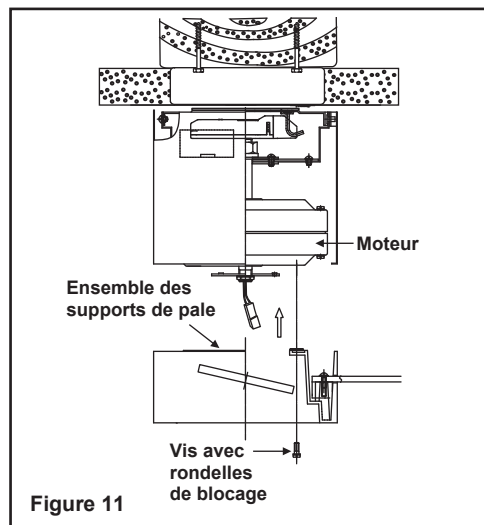
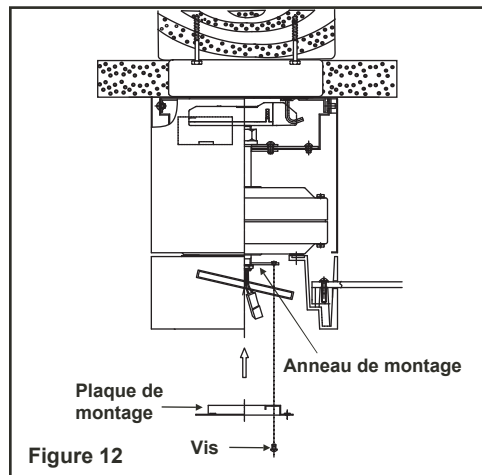


Figure 11

Installation de la plaque de montage

Étape 1. Retirez l'une des trois vis de l'anneau de montage et desserrez les deux autres vis. (Ne pas les retirer)

Étape 2. Placez les trous de serrure de la plaque de montage au-dessus des deux vis de l'anneau de montage préalablement desserrées, tournez la plaque de montage jusqu'à ce qu'elle se verrouille en place dans la section étroite des trous de serrure. Fixez en serrant les deux vis préalablement desserrées et en insérant puis serrant la vis qui avait été retirée. (Fig. 12)



ATTENTION : Avant de commencer l'installation, coupez l'alimentation électrique en plaçant le disjoncteur en position Arrêt ou en retirant le fusible de la boîte à fusibles. La mise hors tension à l'aide de l'interrupteur du ventilateur ne suffit pas à prévenir les chocs électriques.

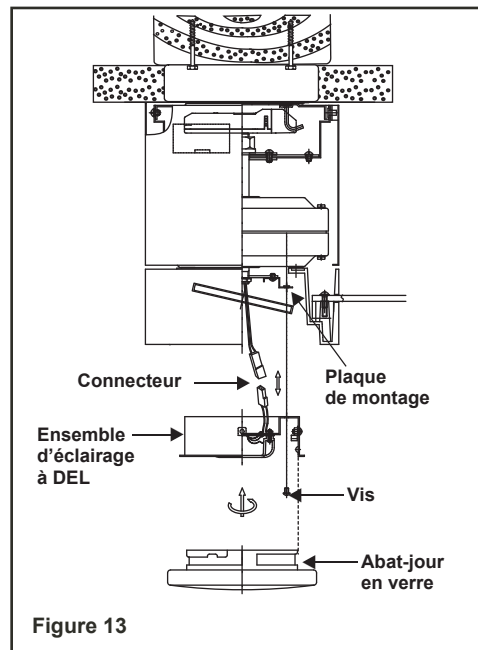
1. Retirez l'une des trois vis de la plaque de montage et desserrez les deux autres vis. (Ne pas les retirer)

2. En tenant l'ensemble d'éclairage à DEL sous le moteur du ventilateur, branchez les connecteurs à deux broches :

- Blanc avec blanc
- Noir avec drgw

3. Placez les trous de serrure dans l'ensemble d'éclairage à DEL sur les deux vis de montage préalablement desserrées dans la plaque de montage. Tournez l'ensemble d'éclairage à DEL jusqu'à ce que l'ensemble d'éclairage à DEL se mette en place dans la section étroite des trous de serrure. Fixez en serrant les deux vis préalablement desserrées et en insérant puis serrant la vis qui avait été retirée. (Fig. 13)

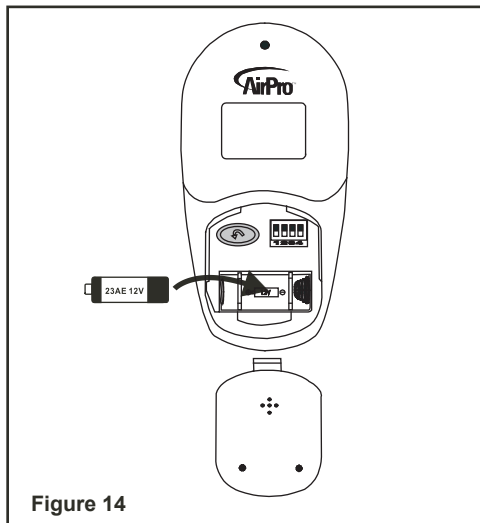
4. Couvrez l'ensemble d'éclairage à DEL avec l'abat-jour en verre et fixez celui-ci au ventilateur en tournant l'abat-jour dans le sens horaire jusqu'à ce qu'il soit serré.



7. Installation de l'ensemble d'éclairage

Installation de la pile

Installez la pile MN21/A23 de 12 V (incluse) pour prévenir les dommages à l'émetteur. Retirez la pile si elle n'est pas utilisée pendant une longue période.



Rétablissez l'alimentation électrique du ventilateur de plafond et effectuez un essai pour vous assurer de son bon fonctionnement.


1. Boutons « ●, ●●, et ●●● » :

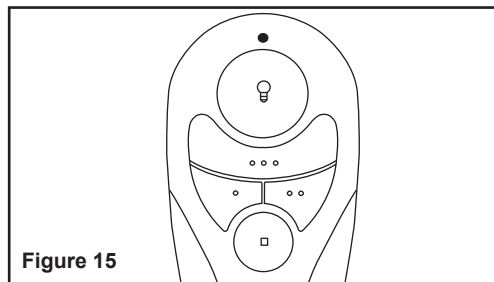
Ces trois boutons servent à régler la vitesse du ventilateur de la façon suivante :

- = Vitesse basse
- = Vitesse moyenne
- = Vitesse élevée

2. Bouton «  » : (Fig. 14)

Ce bouton contrôle le sens de rotation du ventilateur.

3. Le bouton «  » sert à éteindre et allumer la lumière et permet également de contrôler la luminosité. Appuyez et relâchez le bouton pour éteindre et allumer la lumière. Appuyez et maintenez la pression sur le bouton pour régler la luminosité à l'intensité désirée. La touche pour l'éclairage est dotée de la fonction de réactivation automatique. L'éclairage restera à la même luminosité que lorsque la lumière a été éteinte la dernière fois.



4. Bouton «  » :

Ce bouton met le ventilateur hors tension.

REMARQUE : Pour utiliser la fonction d'inversion du sens de rotation de ce ventilateur, appuyez sur le bouton d'inversion pendant que le ventilateur fonctionne.

Les réglages de vitesse pour la température chaude ou froide dépendent de facteurs tels que la taille de la pièce, la hauteur du plafond, le nombre de ventilateurs, etc.

Température chaude : (vers l'avant) Une circulation d'air vers le bas crée un effet refroidissant, comme illustré à la Figure 16. Cela vous permet de régler votre climatiseur à une température plus élevée sans perte de confort.

Température froide : (sens inverse) Une circulation d'air vers le haut pousse l'air chaud du plafond vers le bas, comme illustré à la Figure 17. Cela vous permet de régler votre chauffage à une température plus basse sans perte de confort.

Utilisation de votre émetteur 8.

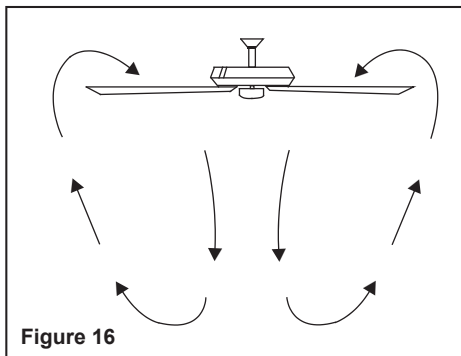


Figure 16

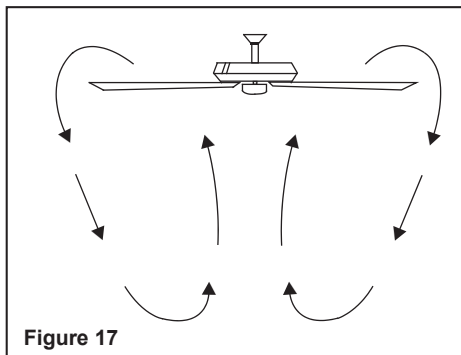


Figure 17

Équilibrage des pales

Les pales sont regroupées en fonction de leur poids. Comme la densité du bois naturel tend à varier, le ventilateur pourrait osciller si les pales n'étaient pas équilibrées.

La procédure suivante devrait corriger la plupart des problèmes d'oscillation du ventilateur. Effectuez une vérification après chaque étape.

1. Assurez-vous que les vis des pales et des bras des pales sont bien serrées.
2. La plupart des problèmes d'oscillation des ventilateurs surviennent lorsque les pales ne sont pas toutes au même niveau. Vérifiez le niveau en choisissant un point au plafond qui soit aligné avec la pointe de l'une des pales. Mesurez la distance, comme illustré à la Fig. 18. Faites tourner le ventilateur jusqu'à ce que la prochaine pale soit placée correctement pour prendre la mesure. Répétez cette opération pour chacune des pales. Tout écart de distance doit demeurer à l'intérieur de 1/8 po.
3. Utilisez l'ensemble d'équilibrage des pales inclus si l'oscillation des pales est toujours observable.
4. Si l'oscillation des pales est toujours observable, vous pouvez interchanger deux pales adjacentes (côte à côte), ce qui peut redistribuer le poids et possiblement entraîner un fonctionnement plus fluide.

AVERTISSEMENT

AFIN DE RÉDUIRE LE RISQUE DE BLESSURE, NE PAS PLIER LES BRAS DES PALES PENDANT L'INSTALLATION OU LE NETTOYAGE DU VENTILATEUR ET L'ÉQUILIBRAGE DES PALES. NE PAS INSÉRER D'OBJET EXTÉRIEUR ENTRE LES PALES DU VENTILATEUR LORSQU'ELLES SONT EN MOUVEMENT.

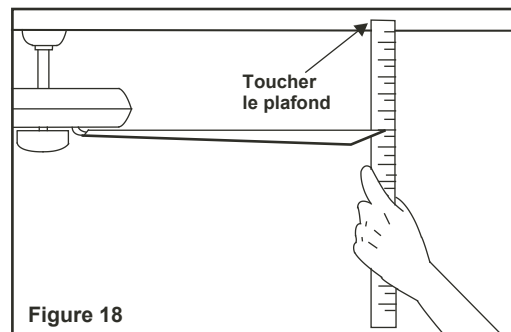


Figure 18

Voici quelques suggestions pour vous aider à entretenir votre ventilateur

1. Le mouvement naturel du ventilateur peut provoquer le desserrement de quelques branchements. **Inspectez les branchements, les supports et les fixations des pales deux fois par année.** Assurez-vous qu'ils sont bien serrés et solides. **(Il n'est pas nécessaire de retirer le ventilateur du plafond.)**

2. Nettoyez régulièrement votre ventilateur pour préserver son apparence neuve au fil des années. Pour éviter d'égratigner le fini, utilisez seulement une brosse douce ou un chiffon non pelucheux. Le placage est scellé avec de la laque afin de minimiser la décoloration et le ternissement. Ne pas utiliser d'eau lorsque vous nettoyez le ventilateur. Vous pourriez ainsi endommager le moteur ou le bois, et possiblement causer un choc électrique.

3. Vous pouvez appliquer une mince couche de cire pour meubles sur les pales en bois pour leur donner un surcroît de protection et en rehausser la beauté. Couvrez les petites égratignures en appliquant une mince couche de cirage.

4. **Il n'est pas nécessaire de lubrifier votre ventilateur.** Le moteur est pourvu de roulements lubrifiés de façon permanente.

IMPORTANT
VOUS ASSURER QUE L'ALIMENTATION
EST COUPÉE AU PANNEAU ÉLECTRIQUE
AVANT DE TENTER DE FAIRE UNE
RÉPARATION. VOUS REPORTER À LA
SECTION « BRANCHEMENTS
ÉLECTRIQUES »

Entretien de votre ventilateur 10.

Problème

Le ventilateur ne démarre pas.

Solution

1. Vérifiez les fusibles ou les disjoncteurs du circuit.
2. Vérifiez les branchements des fils jusqu'au ventilateur ainsi que les branchements des fils de l'interrupteur dans le boîtier de l'interrupteur.
ATTENTION : Assurez-vous que l'alimentation principale est coupée.
3. Assurez-vous que les commutateurs DIP de l'émetteur et du récepteur sont réglés à la même fréquence.

Le ventilateur fait du bruit.

1. Assurez-vous que toutes les vis du boîtier du moteur sont bien serrées.
2. Assurez-vous que les vis qui fixent les supports des pales du ventilateur au moteur sont bien serrées.
3. Assurez-vous que les capuchons de connexion ne se frottent pas les uns contre les autres ou contre les parois du boîtier de l'interrupteur.
ATTENTION : Assurez-vous que l'alimentation principale est coupée.
4. Prévoyez une période de « rodage » de 24 h. La plupart des bruits associés à un ventilateur neuf disparaissent pendant cette période.
5. Si vous utilisez un ensemble d'éclairage facultatif, assurez-vous que les vis qui retiennent l'abat-jour sont bien serrées. Vérifiez également si l'ampoule est bien vissée.
6. Certains moteurs de ventilateurs sont sensibles aux signaux provenant de variateurs de vitesse à semi-conducteur. Si vous avez installé ce type de commande, choisissez et installez un autre type de commande.
7. Assurez-vous que le pavillon supérieur se trouve à courte distance du plafond. Il ne doit pas toucher le plafond.

Mauvais fonctionnement de la télécommande

1. Ne reliez pas le ventilateur à un ou des variateurs de vitesse fixé(s) au mur.
2. Assurez-vous que les commutateurs DIP sont réglés correctement.

11. Dépannage

Taille du ventilateur	Vitesse	Volts	Ampères	Watts	Tr/min	PCM	P.N.	P.B.	P.C.
56 po (142 cm)	Basse	120	0,25	14,29	81	1820,61	19,18 lb	21,61 lb	1,77 pi
	Élevée	120	0,47	55,01	181	4263,21			

Ces mesures sont approximatives. Elles ne comprennent pas l'intensité de courant et la puissance électrique utilisées par l'ensemble d'éclairage.

Cet appareil est conforme à la section 15 de la réglementation de la FCC. Son fonctionnement est soumis aux deux conditions suivantes: (1) Cet appareil ne doit pas causer d'interférences nuisibles et (2) cet appareil doit accepter toutes les interférences reçues, y compris celles pouvant entraîner un fonctionnement indésirable.

Avertissement: toute modification apportée à cet appareil non expressément approuvée par la partie responsable de la conformité pourrait annuler l'autorité de l'utilisateur à utiliser l'équipement.

REMARQUE: Cet équipement a été testé et déclaré conforme aux limites imposées aux appareils numériques de classe B, définies à la section 15 du règlement de la FCC. Ces limites sont conçues pour fournir une protection raisonnable contre les interférences nuisibles dans une installation résidentielle. Cet équipement génère, utilise et peut émettre de l'énergie de fréquence radio. S'il n'est pas installé et utilisé conformément aux instructions, il peut causer des interférences nuisibles aux communications radio.

Cependant, rien ne garantit que des interférences ne se produiront pas dans une installation particulière. Si cet équipement provoque des interférences nuisibles avec la réception de radio ou de télévision, ce qui peut être déterminé en éteignant et en rallumant l'équipement, l'utilisateur est invité à tenter de corriger l'interférence en appliquant l'une ou plusieurs des mesures suivantes:

- Réorientez ou déplacez l'antenne de réception.
- Augmentez la distance entre l'équipement et le récepteur.
- Connectez l'équipement à une prise d'un circuit différent de celui auquel le récepteur est connecté.
- Consultez votre revendeur ou un technicien radio / TV expérimenté pour obtenir de l'aide.

©2020 Progress Lighting, Inc.
701 Millennium Blvd.,
Greenville, SC 29607
All Rights Reserved

Caractéristiques techniques 12.



Manual de Instalación del Ventilador de Techo



93099654_C

P2588

Garantía limitada de por vida

Se garantiza al comprador original que los motores de los ventiladores de Progress Lighting no presentan defectos mecánicos o eléctricos por el tiempo durante el cual el comprador original sea dueño del ventilador. Los interruptores de cadena, interruptores de reversa, capacitores y acabados de metal cuentan con garantía libre de defectos de materiales o mano de obra por 1 año a partir de la fecha de compra. La deformación de las aspas de plástico o madera no está cubierta por esta garantía, así como tampoco la corrosión y/o el deterioro de los acabados en el caso de los ventiladores instalados dentro de un radio de 10 millas (16 km) de la costa del mar. Pueden corresponder garantías extendidas para los productos que cumplen con los requisitos de ENERGY STAR®.

Los ventiladores de techo Progress Lighting con fuentes de iluminación LED incorporadas, cuando se los instala debidamente y bajo condiciones de uso normales, están garantizados como libres de defectos de materiales y mano de obra que hacen que las fuentes de iluminación dejen de funcionar de acuerdo con las especificaciones durante (i) cinco (5) años a partir de la fecha de compra para los módulos de luces LED y los componentes eléctricos para los ventiladores utilizados en residencias unifamiliares, y (ii) tres (3) años a partir de la fecha de compra para los módulos de luces LED y los componentes eléctricos para los ventiladores utilizados en aplicaciones comerciales o multifamiliares. Los focos LED suministrados por Progress Lighting no cuentan con garantía más allá de la garantía del fabricante. Los focos que no son LED no cuentan con garantía.

Con comprobante de compra, el comprador original podrá devolver el ventilador defectuoso al lugar de compra, durante los primeros 30 días, para su reemplazo. Pasados los 30 días, el comprador original DEBE contactarse con Progress Lighting al (864) 678-1000 para la reparación o el reemplazo, que se determinará a criterio exclusivo de Progress Lighting y será la compensación única y exclusiva del comprador.

Se excluye la mano de obra y el envío. Esta garantía no cubre los costos o cargos asociados con la mano de obra (incluidos, entre otros, los honorarios del electricista) necesaria para instalar, quitar o reemplazar el ventilador o cualquiera de sus partes.

Esta garantía no se aplicará a ninguna pérdida o daño que resulte del (i) uso y desgaste normales o de una alteración, uso indebido o descuido, o de la (ii) instalación, operación, reparación o mantenimiento inadecuados por parte del comprador original o de un tercero, incluidos, entre otros, suministro de voltaje inadecuado o sobrecarga eléctrica, uso de piezas o accesorios inadecuados, reparación no autorizada (realizada o que se intentó realizar) o falta de mantenimiento al ventilador.

LAS GARANTÍAS PRECEDENTES ESTABLECEN LA OBLIGACIÓN DE GARANTÍA COMPLETA DE PROGRESS LIGHTING Y LA COMPENSACIÓN ÚNICA Y EXCLUSIVA DEL COMPRADOR ORIGINAL EN RELACIÓN CON DICHS PRODUCTOS. PROGRESS LIGHTING NO ASUME RESPONSABILIDAD POR DAÑOS (INCLUIDOS INDIRECTOS, ESPECIALES, INCIDENTALES O EMERGENTES), DEBIDO A FALLAS DEL PRODUCTO, YA SEA QUE SURJAN DEL INCUMPLIMIENTO DE LA GARANTÍA, DEL INCUMPLIMIENTO CONTRACTUAL O DE OTRO MODO. ESTA GARANTÍA REEMPLAZA CUALQUIER OTRA GARANTÍA, YA SEA EXPRESA O IMPLÍCITA, INCLUSO AQUELLAS DE COMERCIALIZACIÓN, IDONEIDAD PARA UN FIN EN PARTICULAR O NO INCUMPLIMIENTO.

Algunos estados no permiten limitaciones sobre la duración de una garantía implícita o la exclusión de limitaciones de daños incidentales o emergentes, de modo que las limitaciones y exclusiones anteriores tal vez no se apliquen a su caso. La presente garantía le otorga derechos específicos y es posible que usted tenga otros derechos que varían según el estado.

Fecha de compra _____

Lugar de compra _____

N de modelo. P2588

N de serie _____

Numero de vendedor 109226

785247230242

785247230235

785247230228

785247229147

785247229154

UPC _____



Normas de seguridad	1.
Cómo desembalar el ventilador	2.
Cómo instalar el ventilador	3.
Instalación del kit de luz	7.
Operando su transmisor	8.
Cómo cuidar del ventilador	9.
Resolución de problemas	11.
Especificaciones	12.

Tabla de Contenido

1. Para reducir el riesgo de electrocución, asegurarse de que la electricidad se ha desactivado en el cortacircuitos o caja de fusibles antes de comenzar.
2. Todo cableado debe relizarse conforme al Código Electrico Nacional y los códigos electricos locales. La instalación eléctrica debe ser relajada por un electricista registrado calificado.
3. **ADVERTENCIA:** Para reducir el riesgo de una electrocucion e incendio, no usar este ventilador con ningun dispositivo de esto s lido para control de la velocidad del ventilador.
4. **ADVERTENCIA:** para reducir el riesgo de incendio, descarga eléctrica o lesión personal, monte a una caja distribución marcada como "Aceptable para soporte de un ventilador de 15.9kg (35 lbs.) de peso o menos" y monte con los tornillos proporcionados con la caja de distribución. La mayoría de las cajas de conexión utilizadas para soportar artefactos de iluminación, no son aptas para colgar un ventilador y podría ser necesario cambiarlas. Debido a la complejidad de la instalación de este ventilador, se recomienda encarecidamente que la realice un electricista licenciado cualificado.
5. La caja de distribución y la estructura de soporte deben estar montados de manera segura y deben ser capaces de soportar, de manera confiable, un minimo de 35 libras (15,9 kilogramos). Usar solamente cajas de distribución listadas por cUL marcadas "**PARA SOPORTE DE VENTILADORES**".
6. EL ventilador debe estar montado con un m nimo de 7 pies (2.1m) de espacio libre desde el borde posterior de las aspas hasta el piso.
7. Invierta el ventilador con el motor encendido a cualquier velocidad.
8. Evitar colocar objetos qen interfiera el giro de las aspas.
9. Para evitar lesiones personales o da os al ventilador y otros articulos, tener cuidado al trabajar cerca del ventilador o al limpiarlo.
10. No usar agua o detergentes al limpiar el ventilador o las aspas del ventilador. Para la mayoría de los propsitos de limpieza, un paño seco o ligeramente humedecido será apropiado.
11. Despues de realizar las conexiones eléctricas, los conductores empalmados se deben voltear hacia arriba y se deben empujar con cuidado hacia dentro de la caja de distribución. Los cables deben estar separados, con el conductor a tierra y el conductor a tierra del equipo en un lado de la caja de distribución.
12. Los diagramas eléctricos son para referencia únicamente. Los juegos de iluminación que no estén embalados con el ventilador deben estar Listados por cUL y marcados como apropiados para ser usados con el modelo de ventilador que se está instalando. Los interruptores deberán ser Interruptores para uso general cUL. Réfierase a las instrucciones embaladas con los juegos de iluminación e interruptores para obtener información sobre el montaje adecuado.

ADVERTENCIA

PARA REDUCIR EL RIESGO DE INCENDIO ELECTROCUCIÓN O LESIONES PERSONALES. MONTAR EL VENTILADOR EN UNA CAJA DE DISTRIBUCIÓN MARCADA COMO ACEPTABLE PARA SOPORTE DE VENTILADORES.

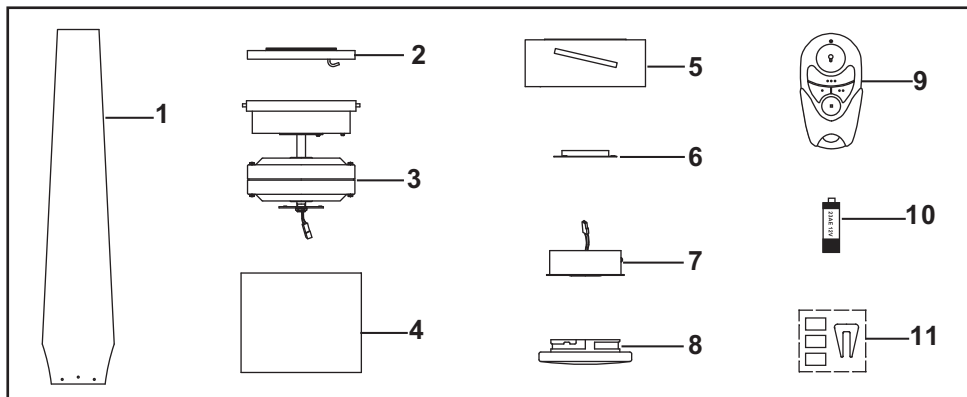
ADVERTENCIA

PARA REDUCIR EL RIESGO DE LESIONES PERSONALES, NO DOBLAR LOS SOPORTES DE LAS ASPAS (TAMBIEN LLAMADOS "REBORDES" DURANTE EL MONTAJE O DESPUES DE LA INSTALACIÓN NO INSERTAR OBJETOS EN LA TRAYECTORIA DE LAS ASPAS.

NOTA

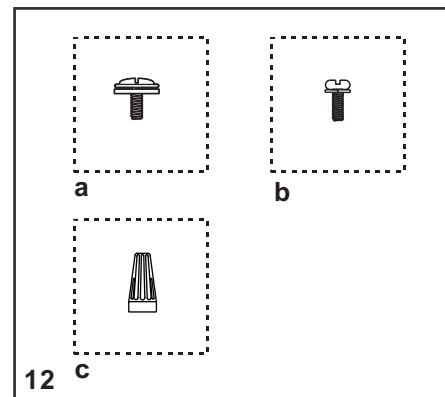
¡LEER Y GUARDAR TODAS LAS INSTRUCCIONES!

1. Normas de seguridad



Desembalar el ventilador y revisar el contenido. Debe tener los siguientes elementos:

- | | |
|-----------------------------|--------------------------------------------------|
| 1. Aspas del ventilador (3) | 7. Kit de luces LED de 18 vatios |
| 2. Abrazadera de montaje | 8. Pantalla de cristal |
| 3. Motor del ventilador | 9. Transmisor + soporte + 2 tornillos de montaje |
| 4. Cubierta de motor | 10. 12V MN21/A23 batería |
| 5. Soporte de la aspas | 11. Juego de balanceo |



12. Dos bolsas de piezas pequeñas:

- a. Piezas de fijación de las aspas**
(13 Tornillos, 13 Arandelas de fibra)
- b. Piezas de Soporte de la aspas**
6 Tornillos con arandelas de cierre
(1 extra)
- c. Piezas de montaje**
(3 conectores plásticos para cables eléctricos).

Cómo desembalar el ventilador 2.

Herramienta necesarias

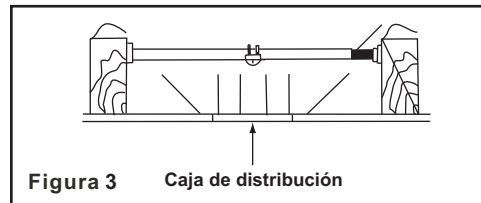
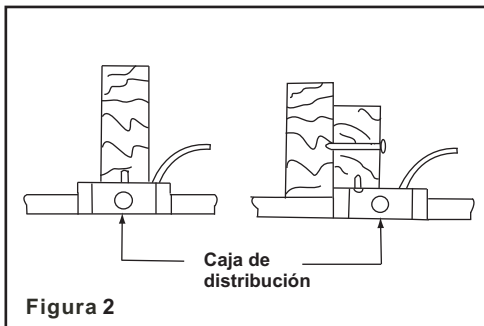
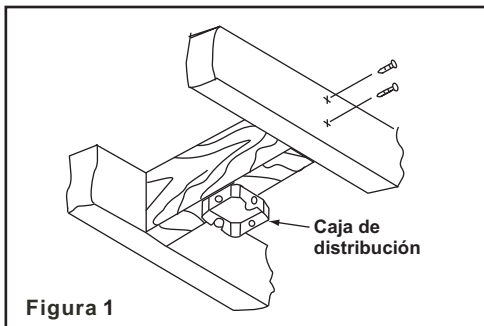
Destornillador Phillips, destornillador normal, llave de tuercas ajustable, escalera de tijera, y cortadoras de alambre.

Opciones de instalación

Si no hay una caja con cUL registración de montaje existente, sirvase leer las siguientes instrucciones. Desconectar el suministro de electricidad removiendo los fusibles o desactivando los cortacircuitos.

Asegurar la caja de distribución directamente a la estructura del edificio. Usar los sujetadores y materiales de construcción apropiados. La caja de distribución y su soporte deben ser capaces de soportar completamente el peso en movimiento del ventilador (al menos 35 libras o 15.9 kgs.) No usar cajas de distribución plásticas.

ADVERTENCIA
PARA REDUCIR EL RIESGO DE INCENDIO, ELECTROCUCIÓN O DAÑO PERSONAL, INSTALAR EL VENTILADOR A UNA CAJA DE DISTRIBUCION MARCADA "ACEPTADA PARA SOPORTAR VENTILADOR" Y USAR LOS TORNILLOS DE MONTAJE SUMINISTRADOS CON LA CAJA DE DISTRIBUCION



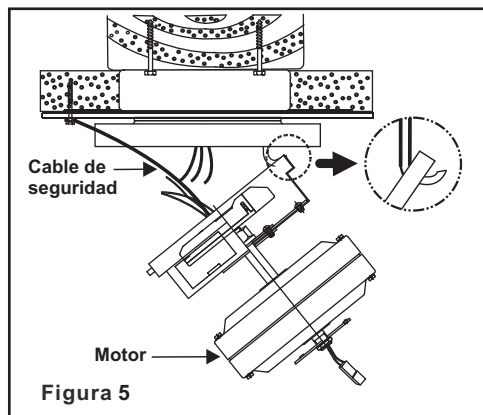
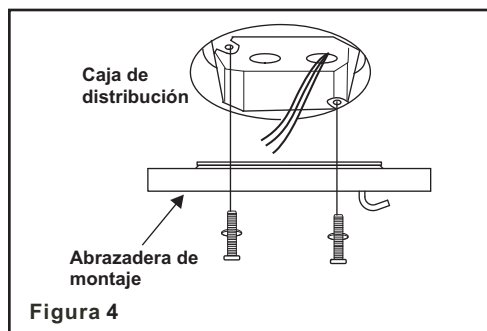
Para colgar su ventilador donde ya existe una instalación pero no una viga de techo, es posible que se necesite una instalación de barra de suspensión como se muestra la Figura 4 (disponible en su distribuidor Progress Lighting).

3. Cómo instalar el ventilador

Colgando el Ventilador

RECORDAR: Apagar la energía eléctrica en el circuito principal o en la caja de fusibles.

1. Asegure la abrazadera de montaje a la caja de distribución con los dos tornillos y las dos arandelas que vienen con el ventilador, asegurándose que la abrazadera este apretada y segura (Fig. 4).
2. Levante el ventilador y cuelgelo del gancho de la abrazadera de montaje y deje que cuelgue libremente (Fig. 5).
3. Asegure el cable de seguridad a la estructura del edificio con un tornillo para madera. (no incluido) (Fig. 5)



Realizar las Conexiones Eléctricas

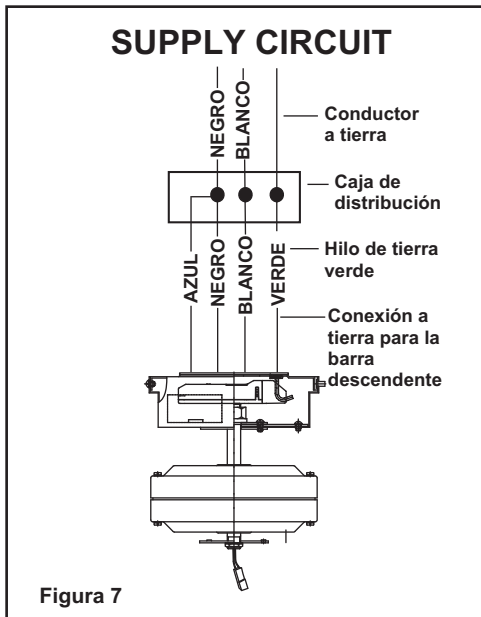
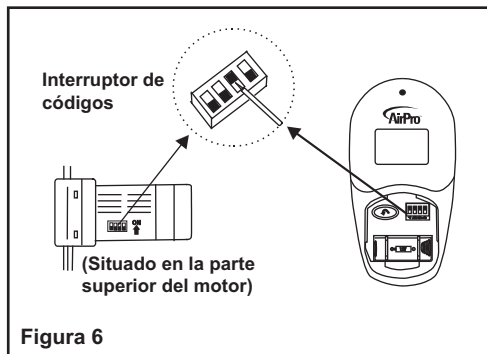
CUIDADO: Para evitar la posibilidad de un choque eléctrico, asegúrese de apagar la corriente eléctrica desde el circuito central.

NOTA: (Fig. 6) Esta unidad de control remoto está equipada con 16 combinaciones de frecuencias diferentes para prevenir posible interferencia con otras unidades similares. Los interruptores de frecuencia en el receptor y transmisor de su ventilador han sido programados por la fábrica. Por favor asegúrese que los interruptores de las dos unidades estén puestos en la misma secuencia, cualquier combinación de claves operará el ventilador siempre y cuando los interruptores de las dos unidades estén en la misma secuencia.

Paso 1. (Fig. 7) Conexiones del receptor a los alambres de alimentación: Conecte el alambre Negro (corriente) de la caja de distribución al alambre Negro marcado AC in L del receptor. Conecte el alambre Blanco (Neutral) de la caja de salida al alambre blanco marcado AC in N del receptor. Asegure las conexiones con los conectores de plástico provistos.

Paso 2. (Fig. 7) Si la Caja de salida tiene un alambre a tierra (verde o cobre) conéctelo a los alambres verdes de tierra de las abrazaderas de montar y colgar; y si no, conecte los alambres verde de tierra de las abrazaderas de montar y colgar solos. Asegure las conexión con un conectar los alambres, sepárelos para que los alambres verdes y blancos queden a un lado y los alambres negros y blancos del otro lado.

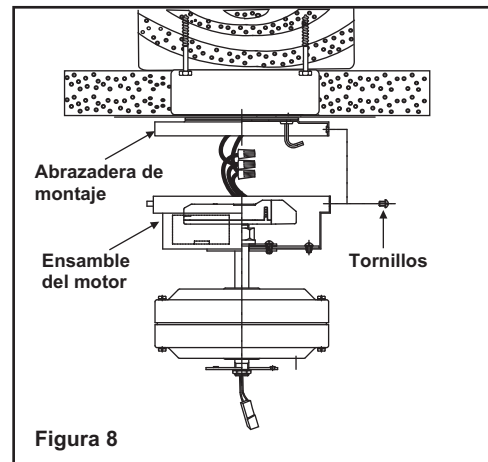
NOTA: La distancia máxima para una recepción apropiada entre el receptor del ventilador y el transmisor son 20 pies. Asegúrese que su ventilador sea instalado dentro de esta distancia.



Finalizar la Instalación del Ventilador

Paso 1. Coloque el ventilador en su posición sobre las cuatro espigas de montaje y asegúrelo con los 4 tornillos provistos. (Fig. 8).

Paso 2. Levante la cubierta de motor para arriba contra el abrazadera de montaje, las cuatro ayudas dentro de la cubierta se deben poner contra los cuatro pernos prisioneros en el abrazadera de montaje, tuerza la cubierta a la derecha hasta que comodamente (Fig. 9).



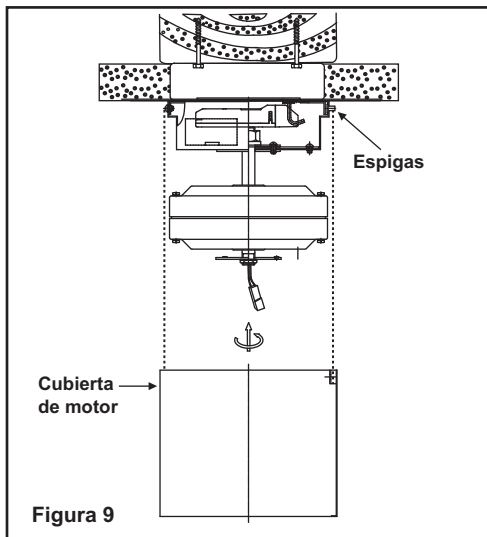


Figura 9

Instalacion de las Aspas

Paso 1. Introduzca las aspas a través de las ranuras de la soporte del aspas. Alinee los barrenos de las aspas y los barrenos en el soporte del aspas y fíjelos en su lugar respectivo con los tornillos y arandelas de fibra proporcionados. (Fig. 10)

Paso 2. Apreta todos los tornillos firmemente empezando con el tornillo cortador. Asegúrate de que la aspa esté recta. Repita los pasos para las palas restantes.

Paso 3. Fije los ensambles del soporte de la aspas al motor apretando los cinco tornillos con arandelas de seguridad provistas. (Fig. 11)

ADVERTENCIA: PARA REDUIR RIESGO DE LESIONES PERSONALES. NO DOBLAR LOS SUJETADORES DE ASPAS MIENTRAS SE REALIZA LA INSTALACIÓN. EL ASPAS O SU LIMPIEZA. NO INSERTAR BALANCEO DE LAS OBJETOS EXTRANOS ENTRE LAS ASPAS DEL VENTILADOR EN ROTACIÓN.

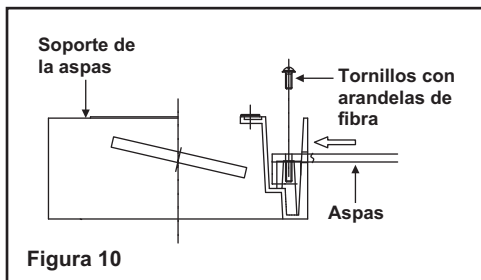


Figura 10

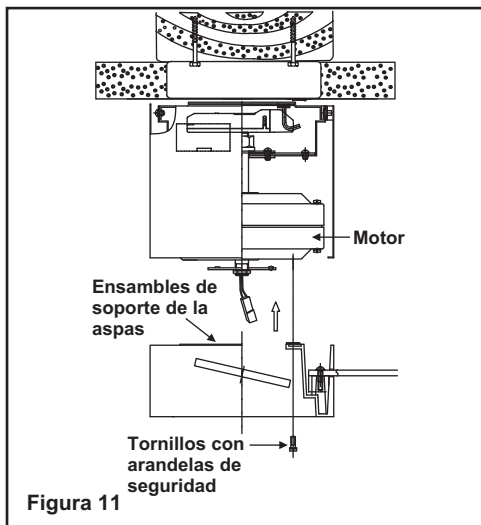
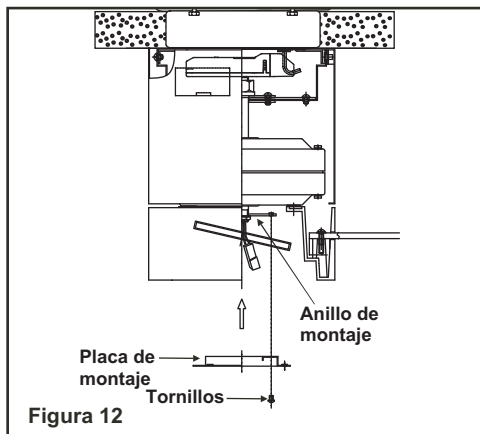


Figura 11

Instalación de la Placa de Montaje

Paso 1. Quite 1 de los 3 tornillos del anillo de montaje y afloje los otros 2 tornillos. (No los quite)

Paso 2. Coloque los agujeros del plato de montaje en los 2 tornillos previamente aflojados del anillo de montaje, gire el plato de montaje hasta que quede fijo en su lugar en la parte estrecha de los agujeros. Asegúrela apretando los 2 tornillos aflojados y también el que quitó anteriormente. (Fig. 12)



NOTA: Antes de comenzar con la instalación, desconecte la alimentación apagando el circuito del automático o quitando el fusible de la caja de fusibles. Para evitar descargas eléctricas, no basta con apagar la alimentación utilizando el interruptor del ventilador.

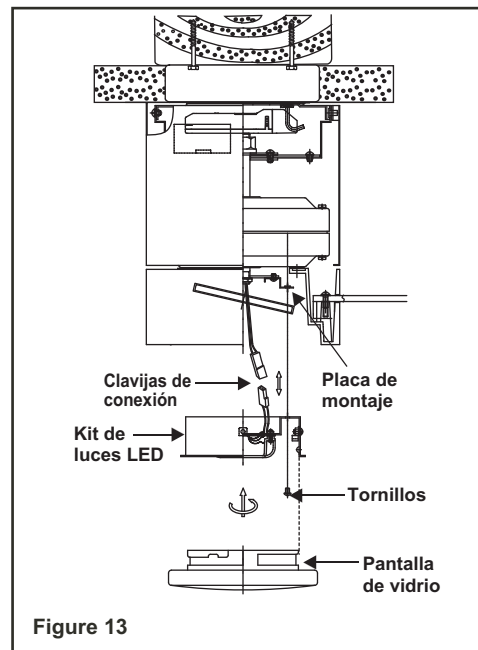
1. Quite 1 de los 3 tornillos del placa de montaje y afloje los otros 2 tornillos. (No los quite)

2. Mientras sostiene el kit de luces LED debajo del ensamblaje del motor del ventilador, cómo hacer las 2 pines conexiones de enchufe polarizado:

- Blanco con blanco
- Negro con bleu

3. Coloca los orificios tipo ojo de cerradura en el kit de luces LED sobre los 2 tornillos previamente aflojados de la placa de montaje, gira la placa del luces LED hasta que caiga en su lugar en la parte estrecha de los orificios tipo ojo de cerradura. Asegúrala apretando los 2 tornillos de montaje del kit de luces previamente aflojados y el que se quitó previamente. (Fig. 13)

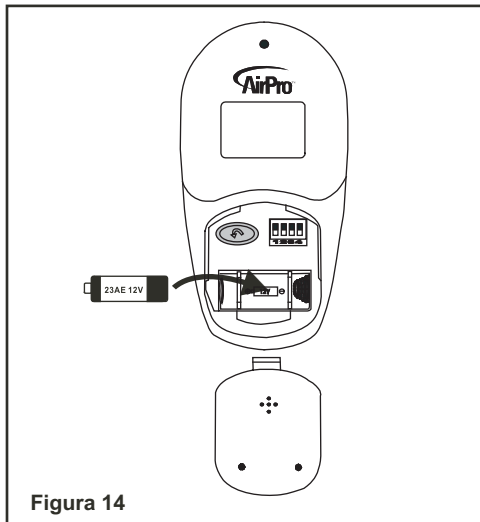
4. Coloque la pantalla de vidrio (o cubierta de metal opcional) contra el placa de montaje y gírela en sentido de las manecillas del reloj hasta que quede firme y seguro. **No lo sobre apriete.** (Fig. 13)



7. Instalación del kit de luz

Instalación de la Batería

Coloque 12V MN21/A23 batería (incluidas). Para evitar estropeos del transmisor, exteiga la batería cuando esté no se usa por periodo relativamente largo.



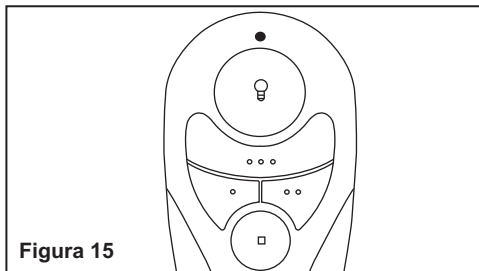
Conecte la electricidad a el ventilador y confirme que opera debidamente.

1. Los bottones ●, ●●, ●●●: Estos tres botones son usados para seleccionar las velocidades del ventilador de la manera siguiente:

- = Velocidad Alta
- = Velocidad Mediana
- = Velocidad Baja

2. "👁️" button: (Fig. 14)
This button controls fan direction.

3. El boton "💡" es para prender y apagar la luz, tambien se usa para controlar la intensidad de la luz. Apriete y sostenga el boton hasta obtener la intensidad de luz deseada. La luz cambiara continuamente entre intensidad y oscuridad mientras que el boton esté presionado. El boton de la luz está equipado para resumir con la misma intensidad de luz que se uso la ultima ves.



4. Boton "■": Esté boton apaga el ventilador.

NOTA: Para activar el funcionamiento inverso de este ventilador, pulse el botón reverse (invertir) mientras está en marcha.

Los ajustérs de velocidad para clima caliente o frío dependen de factores como el tamaño del cuarto, la altura del techo, cantidad de ventiladores, etc.

Clima cálido - (Hacia adelante) Un movimiento descendente de aire crea un efecto de enfriamiento cómo se musetra en la Fig. 16. Esto permite fijar el aire acondicionado en un valor más alto sin afectar la comodidad del usuario.

Clima frío - (Retroseso) Un flujo de aire ascendente mueve el aire caliente alejándolo del área del techo cómo se muestra en la Fig. 17. Esto permite fijar la unidad de calefacción en un valor más bajo sin afectar la comodidad usuario.

Operando su transmisor 8.

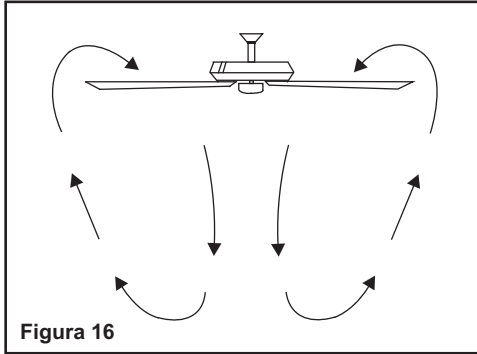


Figura 16

Balaneo de las Aspas

Todas las aspas están agrupadas por peso. Debido a que la desidad de las maderas naturales varía, el ventilador podría oscilar aún cuando el peso de las aspas esté equilibrado.

El siguiente proceimiento deberia mayor parte de la oscilación del ventilador. corregir la Verificar después de cada paso.

1. Verificar que todos los tornillos de aspas y de soportes de aspas estén seguros.
2. La mayoría de los problemas de oscilación se originan cuando los niveles de las aspas son desiguales. Revisar esté nivel por medio de seleccionar un punto del techo por encima de la punta de una de las aspas. Medir esta distancia como se muestra en la Figura 18. Rotar el ventilador hasta que la siguiente aspa esté ubicada para medición. procedimiento para cada aspa. Las medi repetir el das hacer fucional deben mantenerse dentro de 1/8 pulgadas (3mm).
3. Usar el juego de balanceo de aspas incluido si aún se puede notar la oscilación.

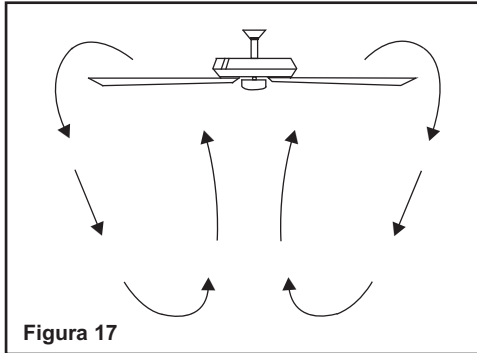


Figura 17

4. Si la oscilación de las aspas todavía se puede notar, el intercambio de dos aspas adyacentes (lado a lado) puede redistribuir el peso y es posible que resulte en un funcionamiento más uniforme.

ADVERTENCIA
 PARA REDUIR RIESGO DE LESIONES PERSONALES. NO DOBLAR LOS SUJETADORES DE ASPAS MIENTRAS SE REALIZA LA INSTALACIÓN. EL BALANCEO DE LAS ASPAS O SU LIMPIEZA. NO INSERTAR OBJETOS EXTRANOS ENTRE LAS ASPAS DEL VENTILADOR EN ROTACIÓN.

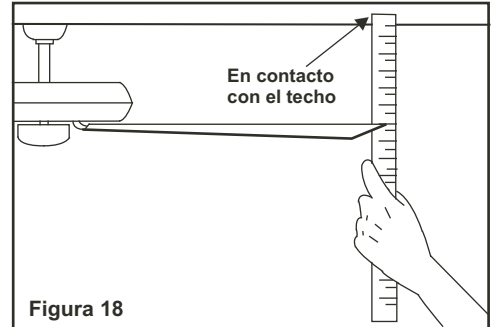


Figura 18

He aquí algunas sugerencias para ayudarle el mantenimiento del ventilador.

1. Debido al movimiento natural del ventilador, algunas conexiones se podrían aflojar. Examinar las conexiones del soporte, soportes, y accesorios de las aspas dos veces al año. Asegurarse de que estén seguros. (No es necesario retirar el ventilador del techo).

2. Limpiar el ventilador periódicamente para ayudar a mantener su apariencia de nuevo con el transcurso del tiempo. Usar solamente un cepillo suave o paño sin hilas para evitar rayar el acabado. El recubrimiento metálico se sella con una laca para minimizar la decoloración o manchado. No usar agua al limpiarlo, madera, o posiblemente causar choque eléctrico.

3. Se puede aplicar una capa ligera de pulidor para muebles a las aspas de madera para brindar protección adicional y realzar su belleza. Cubrir los rayones pequeños con una ligera aplicación de betún para calzado.

4. No hay necesidad de aceitar el ventilador. El motor tiene cojinetes permanentemente lubricados.

ADVERTENCIA

ASEGURARSE DE QUE LA ELECTRICIDAD ESTÉ DESACTIVADA EN EL TABLERO DE DISTRIBUCIÓN ELÉCTRICA ANTES DE INTENTAR CUALQUIER REPARACIÓN REFERIRSE A LA SECCIÓN "CÓMO EFECTUAR CONEXIONES ELÉCTRICAS".

Cómo cuidar del ventilador 10.

Problema

Solución

El ventilador no arranca.

1. Revisar los fusibles o interruptores de circuitos.
2. Verificar las conexiones de cables de línea al ventilador y conexiones de cable del interruptor.
PRECAUCIÓN: Asegurarse de que la fuente principal de electricidad esté desactivada.
3. Check to make sure the dip switches from the transmitter and receiver are set to the same frequency.

El ventilador hace mucho ruido.

1. Asegurarse de que todos los tornillos de la cubierta del motor estén ajustados.
2. Asegurarse de que los tornillos que sujetan el soporte de aspas del ventilador al eje del motor estén apretados.
3. Asegurarse de que las conexiones de tuercas para cable no estén rozando unas contra otras o contra la pared interior de la cubierta protectora del interruptor.
PRECAUCIÓN: Asegurarse de que la fuente principal de electricidad esté desactivada.
4. Permitir un período de "desgaste" de 24 horas. La mayoría de los ruidos asociados con un ventilador nuevo desaparecen durante este tiempo.
5. Si se está usando un juego opcional de iluminación para el ventilador de techo, asegurarse de que los tornillos que aseguran el pantalla de luz estén apretados. Asimismo, verificar que la bombilla esté segura.
6. Algunos motores son sensibles a las señales provenientes de controles de velocidad variable de estado sólido. Si tiene instalado este tipo de control, elegir e instalar otro tipo.
7. Asegurarse de que el escudete superior esté a una corta distancia del techo. No debe hacer contacto con el techo.

Fallo del mando a distancia

1. No conecte el ventilador con un control en la pared de velocidad variable (s).
2. Compruebe que el interruptor oculto esté configurado correctamente.

11. Resolución de problemas

Tamaño del Ventilador	Velocidad	Voltios	Amperios	Vatios	RPM	CFM	N.W.	G.W.	C.F.
56" (142 cm)	Baja	120	0.25	14.29	81	1820.61	19.18 lbs	21.61 lbs	1.77'
	Alta	120	0.47	55.01	181	4263.21			

Estas son mediciones aproximadas. No incluyen los Amperios y vatios usado por el juego de eliminación.

Este equipo cumple con lo establecido en la Parte 15 de la Normativa FCC. Su funcionamiento está sujeto a las dos condiciones siguientes: (1) Este equipo no causará interferencias perjudiciales y (2) este equipo tolerará cualquier interferencia recibida, incluidas las interferencias que puedan provocar un funcionamiento no deseado.

Advertencia: los cambios o modificaciones en esta unidad no aprobados expresamente por la parte responsable del cumplimiento podrían anular la autoridad del usuario para utilizar el equipo.

NOTA: este equipo ha sido probado y cumple con los límites establecidos para dispositivos digitales de clase B, según el apartado 15 de las Normas de la FCC. Dichos límites han sido definidos para proporcionar una protección razonable frente a interferencias perjudiciales en una instalación residencial. Este equipo genera, utiliza y puede desprender energía de radiofrecuencia y, si no se instala y se utiliza según las instrucciones, puede causar interferencias dañinas a la radiocomunicación.

Sin embargo, no es posible garantizar que el equipo no provoque interferencias en una instalación particular. Si este equipo provoca interferencias perjudiciales a la recepción de radio o televisión, lo que puede determinarse encendiéndolo y apagándolo, es recomendable intentar corregir dichas interferencias mediante una o varias de las siguientes medidas:

- Vuelva a orientar o cambie de lugar la antena receptora.
- Aumente la separación entre el equipo y el receptor.
- Conecte el equipo en una toma de corriente en un circuito diferente al que el receptor está conectado.
- Consulte con el distribuidor o con un técnico especialista en radio/televisión para más ayuda.

©2020 Progress Lighting, Inc.
701 Millennium Blvd.,
Greenville, SC 29607
All Rights Reserved

Especificaciones 12.