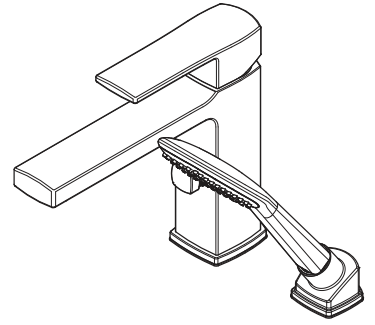


- RT6-2DAB Finish(B)
- RT6-2DAC Finish(C)
- RT6-2DAK Finish(K)



Specifications

Features

- 1.8 GPM Flow Rate (Handheld)
- 2-Hole Installation
- No Additional Valve Required
- Pforever Seal Ceramic Disc Valve
- Pforever Warranty®

Code Compliance

Pfister products are designed and manufactured in compliance with the following standards and codes:

- IAPMO Certified
- CSA B125 Certified
- ASME A112.18.1
- CEC Compliant
- ADA Compliant-ANSI A117.1 (Lever handles only)
- ASME A112.18.3 (Backflow Prevention)



Dimensions

