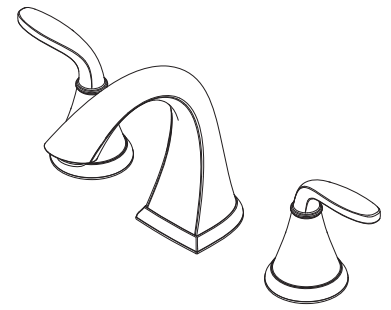


- LG49-WFOC Finish(C)
- LG49-WFOK Finish(K)
- LG49-WFOY Finish(Y)



## Specifications

### Features

- 1.2 GPM Flow Rate
- Mounting Hardware Included
- Pfast Connect™
- Metal Lever Handles
- 3-Hole Installation
- High Arc Spout
- TiteSeal™ Technology
- Audible Indicators
- Copper Inlet Line Kit Included
- Fixed Hubs
- Color Coded Connections
- Push & Seal™ Pop-Up
- Pforever Seal™ Ceramic Disc Valves
- Pforever Warranty®

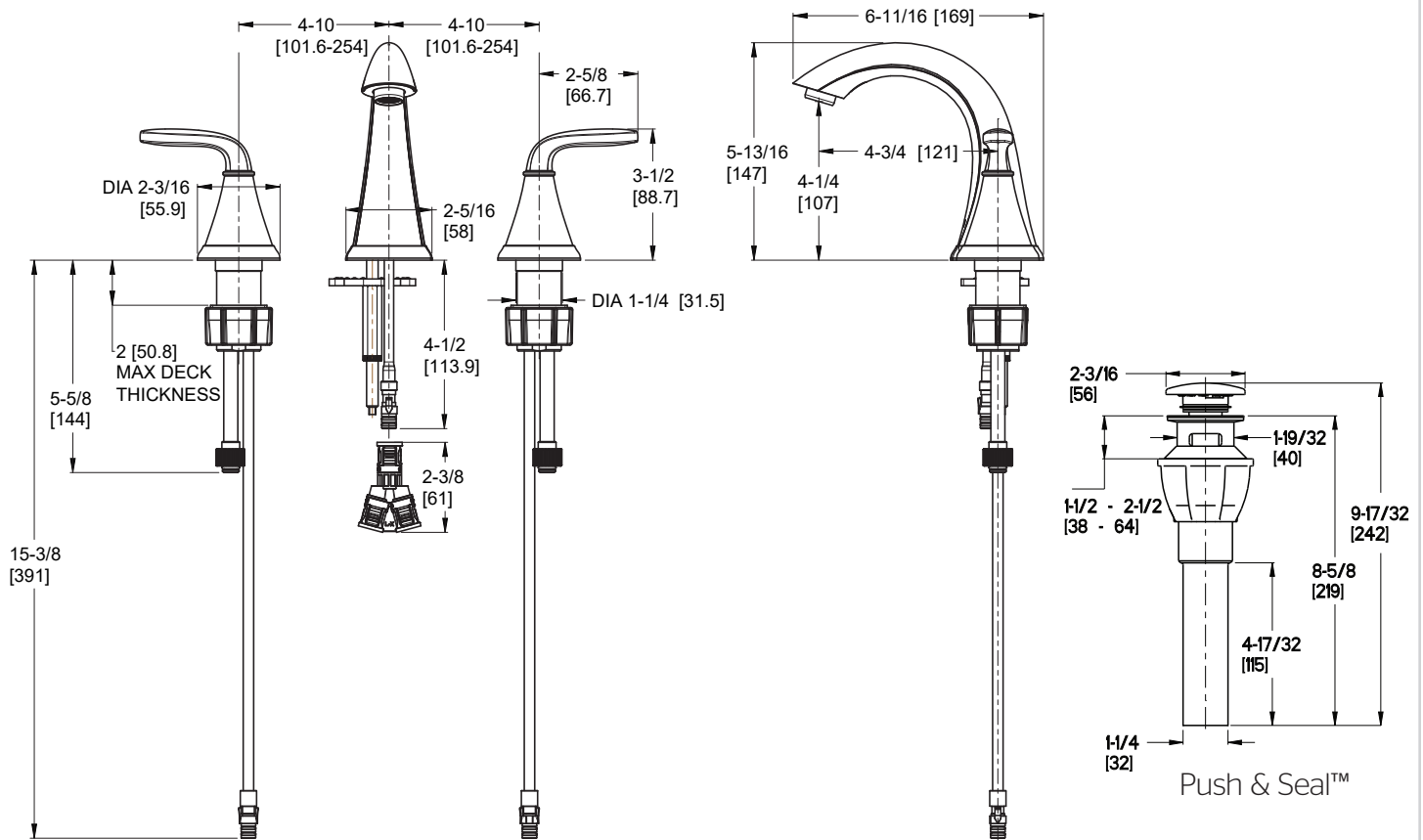
### Code Compliance

Pfister products are designed and manufactured in compliance with the following standards and codes:

- IAPMO Certified to ASME A112.18.1/CSA B125.1
- NSF 61/9 AnnexG Certified
- EPA WaterSense Certified
- CEC Certified/CALGreen compliant
- ADA Compliant - ANSI A117.1 (Lever Handles Only)



## Dimensions



Ø1-1/4 Min to Ø1-1/2 Max. Deck Hole Openings