

Alderwood™ Pull-Down Kitchen Faucet

- F-529-7AWB Finish(B)
- F-529-7AWBG Finish(BG)
- F-529-7AWC Finish(C)
- F-529-7AWGS Finish(GS)
- F-529-7AWY Finish(Y)



- TopPfit™ Installation
- MagnePfit™ Sprayhead Docking
- AutoAlign™ Sprayhead Docking

Specifications

Features

- 1.8 GPM Flow Rate
- 1 or 3-Hole Installation; Deck Plate or Single Hole Mounting Option
- 3 Function Pull-Down Sprayer (Spray, Stream, and HydroBlade™)
- 360° Rotating High Arc Swivel Spout
- MagnePfit™ Sprayhead Docking
- AutoAlign™ Sprayhead Docking
- Spot Defense™ Finish Resists Spots and Fingerprints (GS Finish Only)
- TopPfit™ Top Mount Installation
- TopPfit™ Quick Install Tool
- SoloTilt™ One-Hand Soap
- 13.8" Pull-Down Hose Length
- Nylon Braided Hose
- 36" Integrated PERT Supply Lines with 3/8" Connection
- Forward Handle Operation
- TiteSeal™ Technology
- Pfast Connect™ Adapter Technology
- Pforever Seal™ Ceramic Disc Valve
- Limited Lifetime Warranty



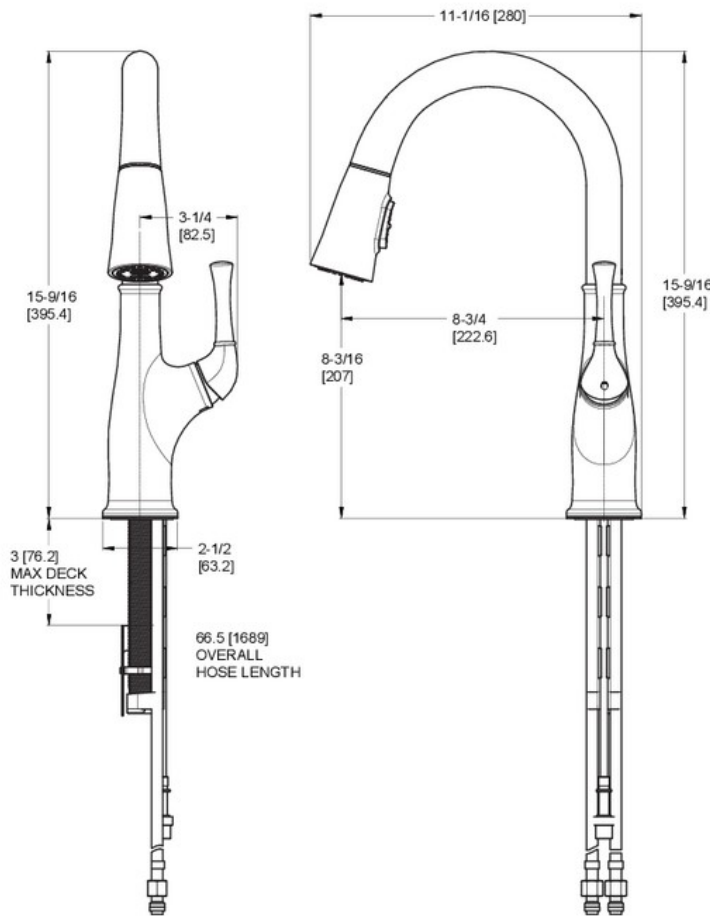
Code Compliance

Pfister products are designed and manufactured in compliance with the following standards and codes:

- IAPMO Certified to ASME A112.18.1/CSA B125.1 including:
 - ASME A112.18.3 (Backflow Prevention)
- NSF/ANSI/CAN61:Q≤1
- CEC Certified/CALGreen compliant
- ADA Compliant - ANSI A117.1 (Lever Handle Only)



Dimensions

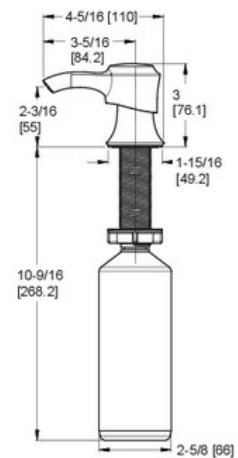


Ø1-3/8 Min to Ø1-1/2 Max. Deck Hole Openings

Optional Included Deckplate



Top Filling Soap Dispenser



36 Inch Supply Lines with 3/8 Female Compression Brass Connections

