



- Spot Defense™
- 1, 2, 3, or 4-Hole Installation
- Pforever Seal

## Specifications

### Features

- 1.8 GPM Flow Rate
- 1, 2, 3, or 4-Hole Installation; Deck Plate or Single Hole Mounting Option
- High Arc Spout
- Side Spray Included
- Installs With or Without Side Spray
- 360° Swivel Spout
- Mounting Hardware Included
- TiteSeal™ Technology
- Pfast Connect™
- Spot Defense™ Finish Resists Spots and Fingerprints
- Quick Install Tool
- Pforever Seal™
- Ceramic Disc Valve
- Pforever Warranty®



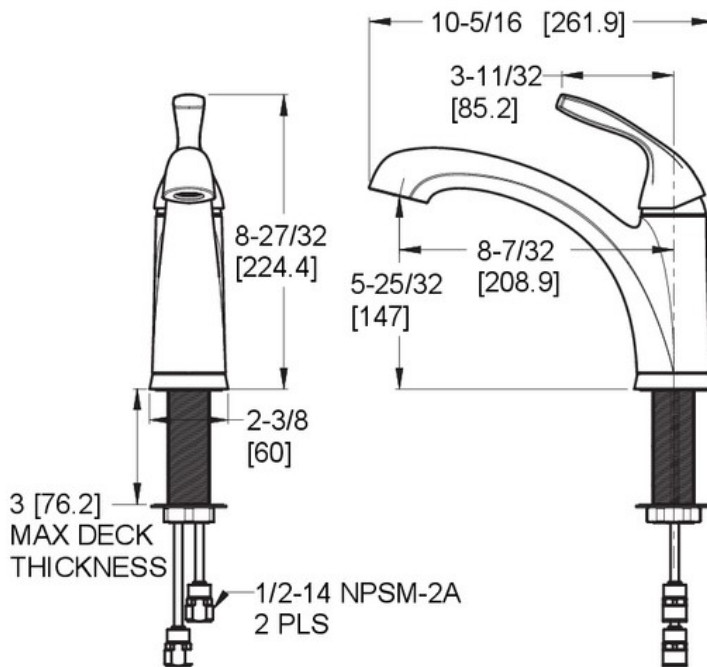
### Code Compliance

Pfister products are designed and manufactured in compliance with the following standards and codes:

- IAPMO Certified to ASME A112.18.1/CSA B125.1 including:
  - ASME A112.18.3 (Backflow Prevention)
- NSF/ANSI/CAN61:Q≤1
- CEC Certified/CALGreen compliant
- ADA Compliant - ANSI A117.1 (Lever Handles Only)



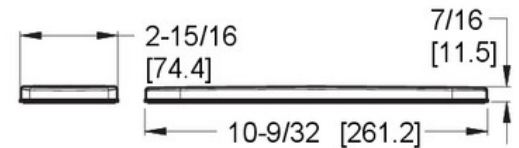
## Dimensions



\*supply lines not included  
1/2" male OD connection at faucet

Ø1-3/8 Min to Ø1-1/2 Max. Deck Hole Openings

### Optional Deckplate



### Side Spray

