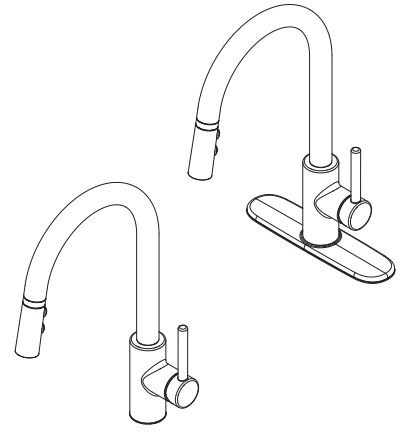


- LG529-SAB Finish(B)
- LG529-SAC Finish(C)
- LG529-SAS Finish(S)
- LG529-SABG Finish(BG)



Specifications

- 1 or 3-Hole Installation
- Pforever Seal

Features

- 1.8 GPM Flow Rate
- 3 Function Pull-Down Sprayer
- 1 or 3-Hole Installation; Deck Plate or Single Hole Mounting Option
- AccuDock™ Sprayhead Docking
- Pforever Seal Ceramic Disc Valves
- Pforever Warranty®

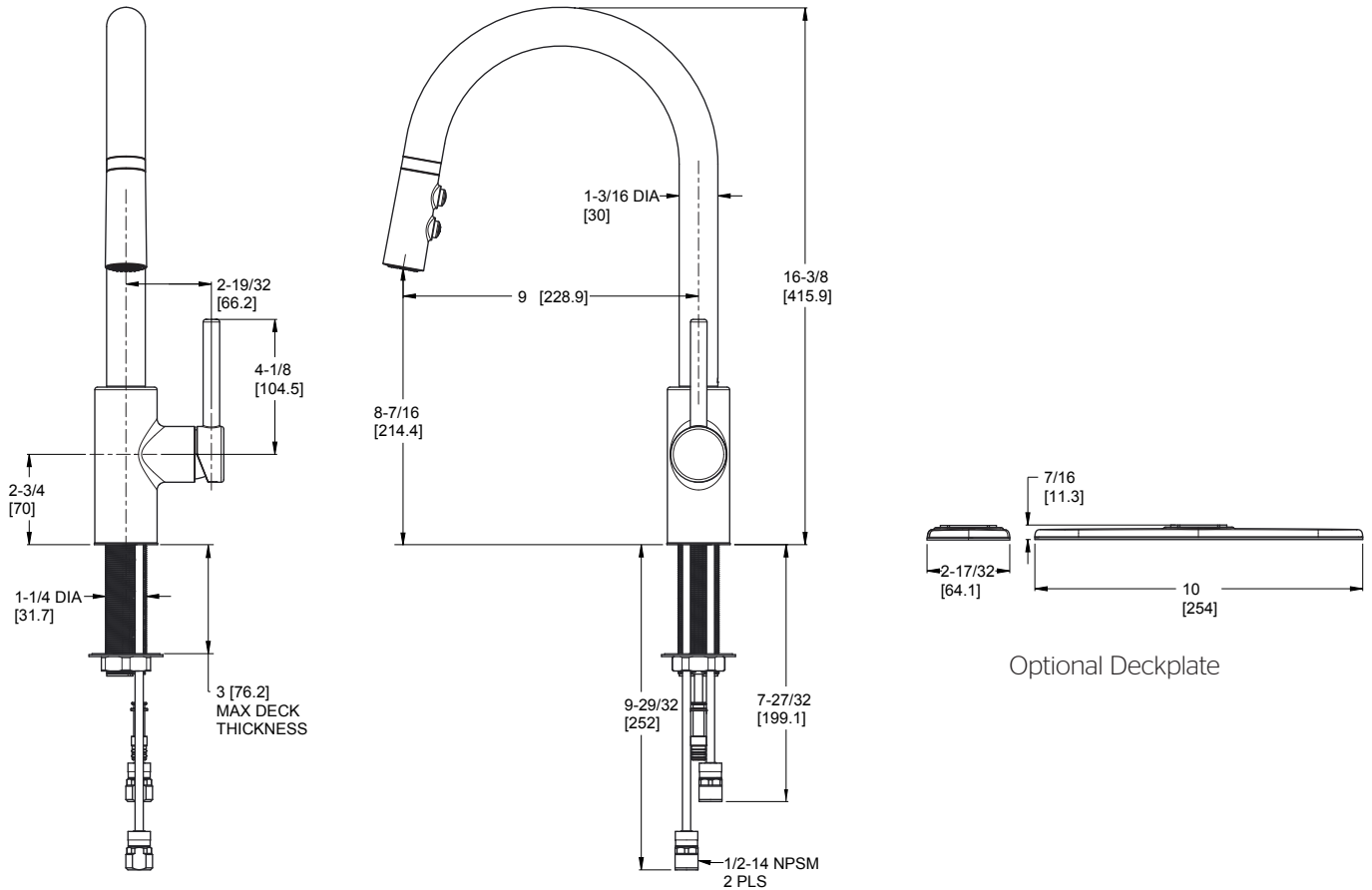
Code Compliance

Pfister products are designed and manufactured in compliance with the following standards and codes:

- IAPMO Certified
- CSA B125 Certified
- ASME A112.18.1
- CEC Compliant
- Cal Green Compliant
- NSF 61/9 Annex G (Low lead)
- ADA Compliant-ANSI A117.1 (Lever handles only)
- ASME A112.18.3 (Backflow Prevention)



Dimensions



Ø1-3/8 Min to Ø1-1/2 Max. Deck Hole Openings