

**Features**

- Solid brass construction
- Euro-motion ceramic disc 35 mm valve cartridge
- Swivel spout assembly with side-mounted ADA compliant lever handle
- Two-function, toggle-control spray engine with solid brass housing
- 10-3/4" (27.2 cm) spout height at outlet
- 8" (17.2 cm) spout reach (c-c)
- For single hole configurations
- 1.8 gallons (6.8 liters) per minute maximum flow rate

**Pull-Out Kitchen Faucet  
8200-5113**



**Codes / Standards Compliance**

Meets or exceeds the following at date of manufacture:

- ASME A112.18.1/CSA B125.1
- IAPMO/cUPC
- IPC
- NSF 61
- NSF 372
- ADA
- ICC/ANSI A117.1
- Energy Policy Act of 1992
- California Energy Commission (CEC)
- All applicable US Federal and State material regulations

**Colors / Finishes**

- 15: Polished Nickel
- 15S: Satin Nickel - PVD
- 26: Polished Chrome

**Specified Model**

Model	Description	Colors   Finishes
8200-5113	Pull-Out Kitchen Faucet	<input type="checkbox"/> 15 <input type="checkbox"/> 15S <input type="checkbox"/> 26

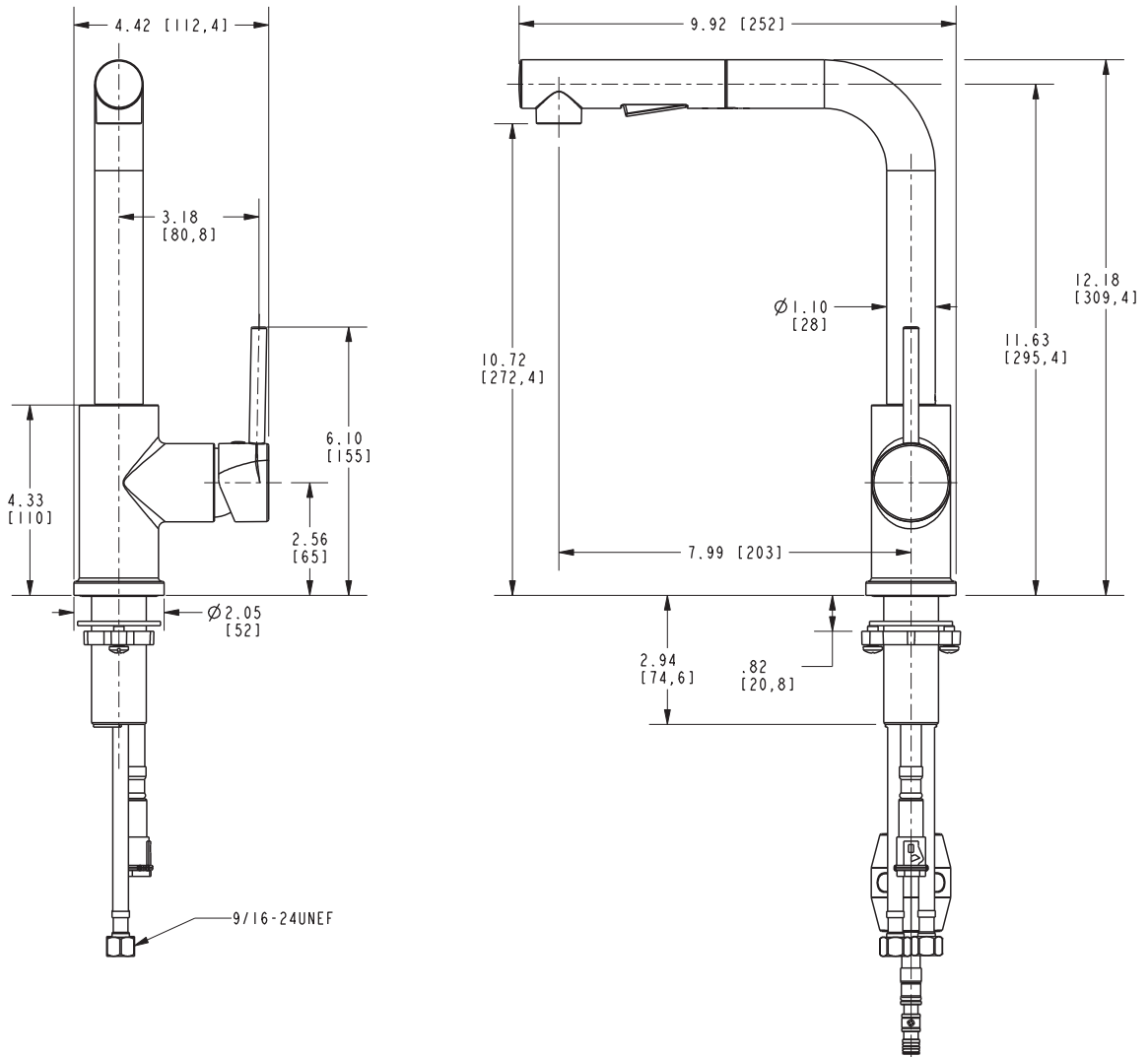
**Product Specification**

Add "Length Indicator and Color / Finish" suffix to Model number, below.

The Pull-Out Kitchen Faucet shall be made of solid brass construction and incorporate a Euro-motion ceramic disc 35 mm valve cartridge. Faucet shall incorporate a swivel spout assembly with side-mounted ADA compliant lever handle. Faucet shall incorporate a two-function, toggle-control spray engine with solid brass housing and a magnetic docking system securing the spray engine to the spout. Product shall incorporate a 10-3/4" (27.2 cm) spout height at outlet and a 8" (17.2 cm) spout reach (c-c). Faucet shall have a 1.8 gallons (6.8 liters) per minute maximum flow rate and accommodate single hole configurations. Pull-down Kitchen Faucet shall be Newport Brass Model 8200-5113/\_\_\_\_\_.

# 8200-5113

## PRODUCT DIMENSIONS *(Units are in inches)*



Newport 365 Bronwen Pull-Out Kitchen Faucet  
**8200-5113**

**NEWPORT BRASS**  
Flawless Beauty. From Faucet to Finish.™