

Features

- Solid brass construction
- Fully integrated brass valve bodies.
- Quarter-turn washerless ceramic disc valve cartridges
- ADA compliant
- Swivel spout assembly
- 9-1/16" (23.1 cm) spout height at outlet
- 10-1/16" (25.6 cm) spout reach (c-c)
- For 8" (20.3 cm) centers
- 1.8 gallons (6.8 liters) per minute maximum flow rate

Bridge Style Kitchen Faucet
3220-5403



Codes / Standards Compliance

Meets or exceeds the following at date of manufacture:

- ASME A112.18.1/CSA B125.1
- IAPMO/cUPC
- IPC
- NSF 61
- NSF 372
- ADA
- ICC/ANSI A117.1
- Energy Policy Act of 1992
- California Energy Commission (CEC)
- All applicable US Federal and State material regulations



Colors / Finishes

- 10B: Oil Rubbed Bronze
- 15: Polished Nickel
- 15S: Satin Nickel - PVD
- 26: Polished Chrome
- Other: Refer to the Newport Brass catalog for additional color/finish options.

Specified Model

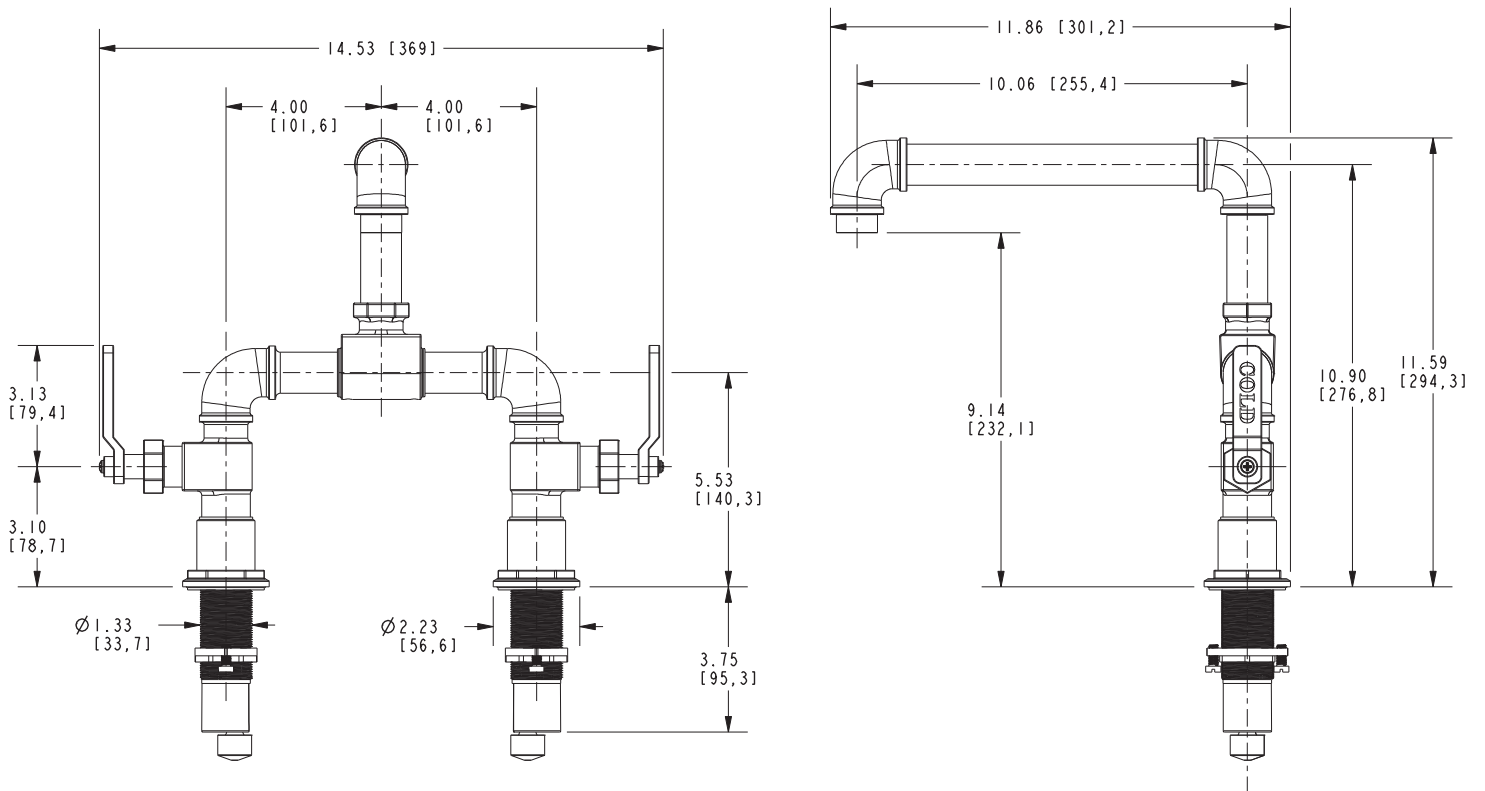
Model	Description	Colors Finishes
3220-5403	Bridge Style Kitchen Faucet	<input type="checkbox"/> 10B <input type="checkbox"/> 15 <input type="checkbox"/> 15S <input type="checkbox"/> 26 <input type="checkbox"/> Other

Product Specification Add "Color / Finish" suffix to Model number, below.

The Bridge Style Kitchen Faucet shall be made of solid brass construction. Faucet shall incorporate a swivel spout assembly and quarter-turn washerless ceramic disc valve cartridges. Faucet shall have a 1.8 gallons (6.8 liters) per minute maximum flow rate. Product shall be for 8" (20.3 cm) centers. Product shall incorporate a 9-1/16" (23.1 cm) spout height at outlet and a 10-1/16" (25.6 cm) spout reach (c-c). Faucet shall incorporate ADA compliant lever handles. Bridge-Style Kitchen Faucet shall be Newport Brass Model 3220-5403/_____.

3220-5403

PRODUCT DIMENSIONS *(Units are in inches)*



Duncan Bridge Style Kitchen Faucet 3220-5403