

Air Gap Cap
3200-5751

Features

- Solid brass cap
- 2-11/16" (6.8 cm) height above deck
- 2-1/8" (5.4 cm) base diameter
- Complements Jeter product series

Codes / Standards Compliance

- Meets or exceeds the following at date of manufacture:
- All applicable US Federal and State material regulations

Colors / Finishes

- 10B: Oil Rubbed Bronze
 - 15: Polished Nickel
 - 15S: Satin Nickel - PVD
 - 26: Polished Chrome
- Other: Refer to the Newport Brass catalog for additional color/finish options.



Specified Model

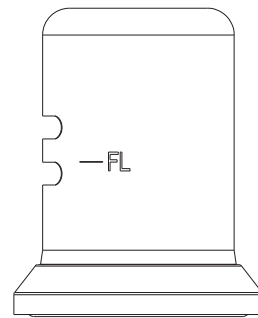
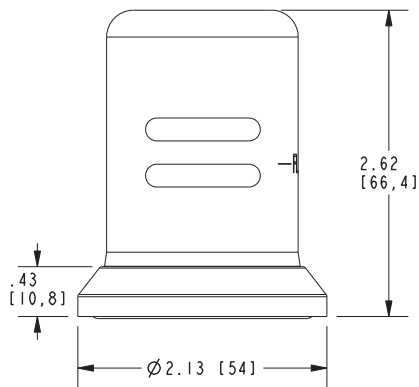
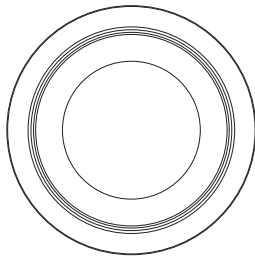
Model	Description	Colors Finishes
3200-5751	Air Gap Cap	<input type="checkbox"/> 10B <input type="checkbox"/> 15 <input type="checkbox"/> 15S <input type="checkbox"/> 26 <input type="checkbox"/> Other

Product Specification Add "Color / Finish" suffix to Model number, below.

The Air Gap Cap shall be made of solid brass construction. Product shall incorporate a 2-11/16" (6.8 cm) cap height and a 2-1/8" (5.4 cm) cap diameter base. Air Gap Cap shall be Newport Brass Model 3200-5751/____.

3200-5751

PRODUCT DIMENSIONS *(Units are in inches)*



Jeter Air Gap Cap
3200-5751