

Features

- Solid brass construction
- Face plate with handle escutcheon and ADA compliant diverter pull-knob
- 1.8 gallons (6.7 liters) per minute maximum flow rate showerhead
- Lever handle is ADA compliant when used with Tub and Shower Trim
- Intended for use with Newport Brass rough valve(s) as specified (Required Accessory)

Codes / Standards Compliance

Meets or exceeds the following at date of manufacture:

- ASME A112.18.1/CSA B125.1
- IAPMO/cUPC
- IPC
- ADA
- ICC/ANSI A117.1
- ASSE 1016
- Energy Policy Act of 1992
- EPA Watersense
- All applicable US Federal and State material regulations

Colors / Finishes

- 09: Old World Bronze
- 15: Polished Nickel
- 15S: Satin Nickel - PVD
- 26: Polished Chrome

Tub and Shower Trim
3-8002BP



Specified Model

Model	Description	Colors Finishes
3-8002BP	Tub and Shower Trim	<input type="checkbox"/> 09 <input type="checkbox"/> 15 <input type="checkbox"/> 15S <input type="checkbox"/> 26

Required Accessory

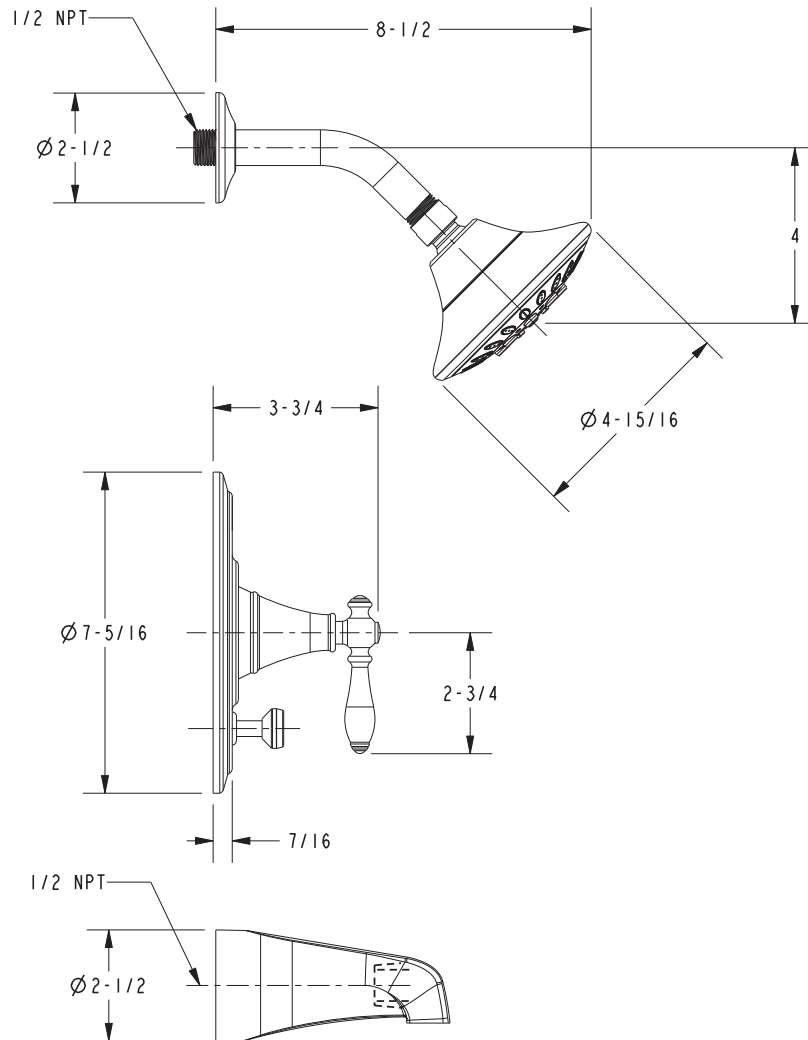
Application	Tub & Shower Valve (Choose One)	
Description	BP w/Diverter	BP w/Diverter
Inlet/Outlet Size	1/2"	1/2"
Part Number	<input type="checkbox"/> 1-595	<input type="checkbox"/> 1-685
Image		

Product Specification Add "Length Indicator and Color / Finish" suffix to Model number, below.

The single-control Tub and Shower Trim shall be made of solid brass construction. Tub and Shower Trim shall include showerhead with arm and flange, tub spout and faceplate with escutcheon and ADA compliant diverter pull-knob. Lever handle is ADA compliant when used with Tub and Shower Trim. Showerhead shall have a maximum flow rate of 1.8 gallons (6.7 liters) per minute. Tub and Shower Trim shall be Newport Brass Model 3-8002BP/_____ and single-control Tub and Shower rough valve shall be Newport Brass Model 1-_____.

3-8002BP

PRODUCT DIMENSIONS *(Units are in inches)*



Newport 365 Fairlynn Tub and Shower Trim

3-8002BP

Page 2 of 2 Spec_3-8002BP_a_3.18

NEWPORT BRASS
Flawless Beauty. From Faucet to Finish.™

t: 949.417.5207 | www.newportbrass.com
©2016 Brasstech, Inc.