

Features

- Solid brass construction
- ADA compliant traditional lever handles
- 3-9/16" (9.0 cm) spout height at outlet
- 9-9/16" (24.3 cm) spout reach (c-c)
- 1.8 gallons (6.7 liters) per minute handshower maximum flow rate
- Spout incorporates diverter valve (lift cap to activate handshower)
- Intended for use with Newport Brass rough valve kit (Required Accessory) which incorporates the following:
 - Brass valve bodies, quick-connect spout fitting and hoses
 - Quarter-turn washerless ceramic disc 3/4" valve cartridges

Roman Tub with Handshower Deck Trim

3-2557



Codes / Standards Compliance

Meets or exceeds the following at date of manufacture:

- ASME A112.18.1/CSA B125.1
- IAPMO/cUPC
- IPC
- ADA
- ICC/ANSI A117.1
- EPA Watersense
- All applicable US Federal and State material regulations

Colors / Finishes

- 10B: Oil Rubbed Bronze
- 15: Polished Nickel
- 15S: Satin Nickel - PVD
- 26: Polished Chrome
- Other: Refer to the Newport Brass catalog for additional color/finish options.



Specified Model

Model	Description	Colors Finishes				
3-1007	Roman Tub with Handshower Deck Trim	<input type="checkbox"/> 10B	<input type="checkbox"/> 15	<input type="checkbox"/> 15S	<input type="checkbox"/> 26	<input type="checkbox"/> Other

Required Accessory: Trim, above, and Rough Valve Kit, below, must both be specified

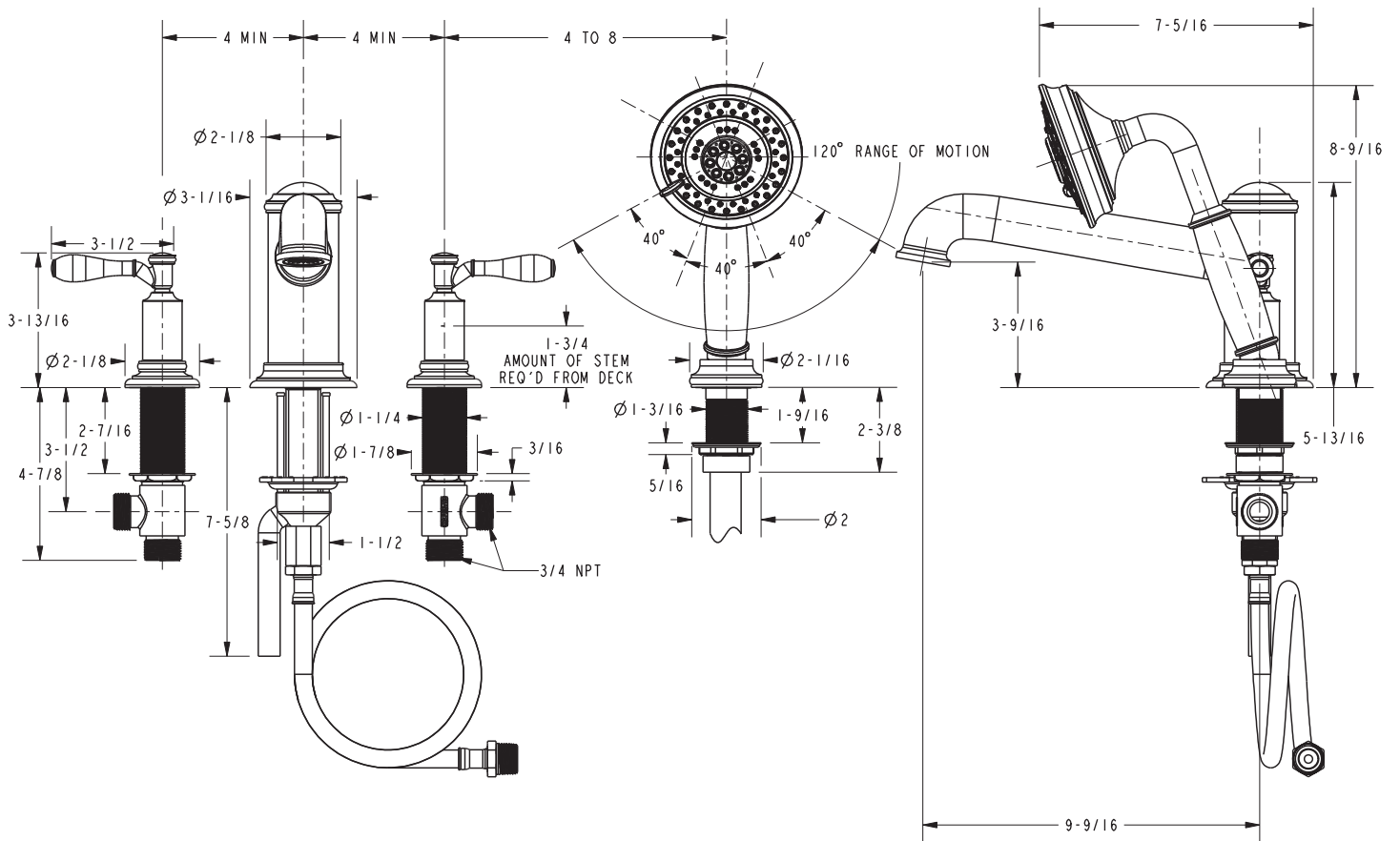
Application	Roman Tub with Handshower				
Description	Hot Valve	Cold Valve	Spout Quick-Connect Fitting	Poly-Braided Hose	Handshower Diverter
Inlet/Outlet	3/4"	3/4"	3/4"	3/4"	3/4" / 1/2"
Part Number	1-636 + Handshower Rough				
Image					

Product Specification: Add "Color / Finish" suffix to Model number, below.

The Roman Tub with Handshower Deck Trim shall be made of solid brass construction. Roman Tub with Handshower Deck Trim shall incorporate ADA compliant traditional lever handles. Product shall incorporate a 3-9/16" (9.0 cm) spout height at outlet and a 9-9/16" (24.3 cm) spout reach (c-c). Product shall feature a solid brass handshower with a 1.8 gallons (6.7 liters) per minute maximum flow rate. Rough valve kit shall incorporate brass valve bodies with quarter-turn washerless ceramic disc 3/4" valve cartridges, a quick-connect spout fitting and a diverter valve with hoses as needed for handshower. Roman Tub with Handshower Deck Trim shall be Ginger Model 2557/_____ and Newport Brass rough valve kit shall be 1-636 + Handshower Rough.

3-2557

PRODUCT DIMENSIONS *(Units are in inches)*



Ithaca Roman Tub with Handshower Deck Trim 3-2557