

**Air Gap Cap**  
**2940-5751**

**Features**

- Solid brass cap
- 2-11/16" (6.8 cm) height above deck
- 2" (5.1 cm) base diameter
- Complements Taft product series

**Codes / Standards Compliance**

Meets or exceeds the following at date of manufacture:

- All applicable US Federal and State material regulations



**Colors / Finishes**

- 10B: Oil Rubbed Bronze
- 15: Polished Nickel
- 15S: Satin Nickel - PVD
- 26: Polished Chrome
- Other: Refer to the Newport Brass catalog for additional color/finish options.

**Specified Model**

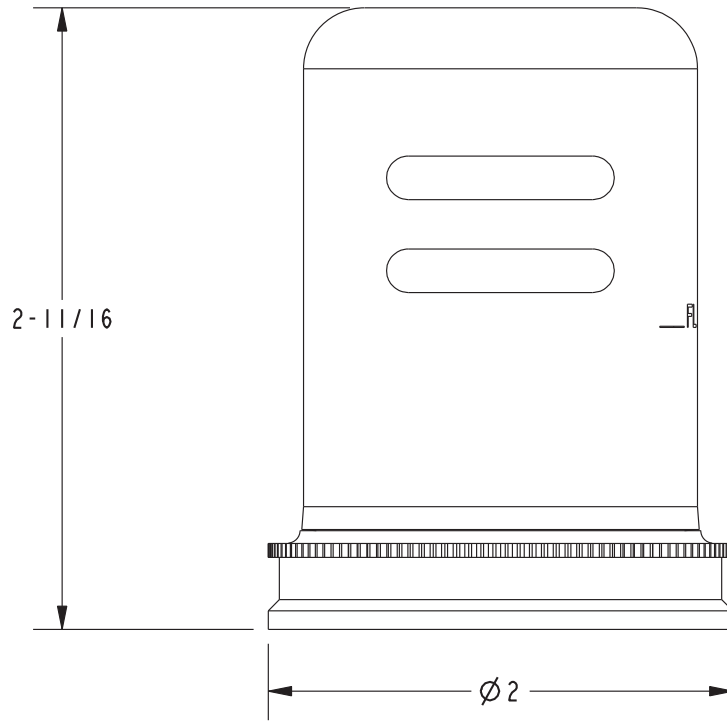
Model	Description	Colors   Finishes
2940-5751	Air Gap Cap	<input type="checkbox"/> 10B <input type="checkbox"/> 15 <input type="checkbox"/> 15S <input type="checkbox"/> 26 <input type="checkbox"/> Other

**Product Specification** Add "Color / Finish" suffix to Model number, below.

The Air Gap Cap shall be made of solid brass construction. Product shall incorporate a 2-11/16" (6.8 cm) cap height and a 2" (5.1 cm) cap diameter base. Air Gap Cap shall be Newport Brass Model 2940-5751/\_\_\_\_\_.

# 2940-5751

**PRODUCT DIMENSIONS** *(Units are in inches)*



**Taft Air Gap Cap**

**2940-5751**

Page 2 of 2 Spec\_2940-5751

**NEWPORT BRASS**  
Flawless Beauty. From Faucet to Finish.™

t: 949.417.5207 | [www.newportbrass.com](http://www.newportbrass.com)  
©2017 Brasstech, Inc.