

NEWPORT BATH

Body Spray **2178**



Features

- Solid brass construction
- Traditional styling
- Single function spray
- Rubber nozzles facilitate easy cleaning
- Ball and socket design having a range of 60 degrees
- 1/2" NPSM inlet fitting
- 2-1/2" (6.4 cm) Body Spray diameter
- 1.8 gallons (6.7 liters) per minute maximum flow rate

Codes / Standards Compliance

Meets or exceeds the following at date of manufacture:

- ASME A112.18.1/CSA B125.1
- IAPMO/cUPC
- IPC
- Energy Policy Act of 1992
- All applicable US Federal and State material regulations



Colors / Finishes

- 10B: Oil Rubbed Bronze
- 15: Polished Nickel
- 15S: Satin Nickel - PVD
- 26: Polished Chrome
- Other: Refer to the Newport Brass catalog for additional color/finish options.

Specified Model

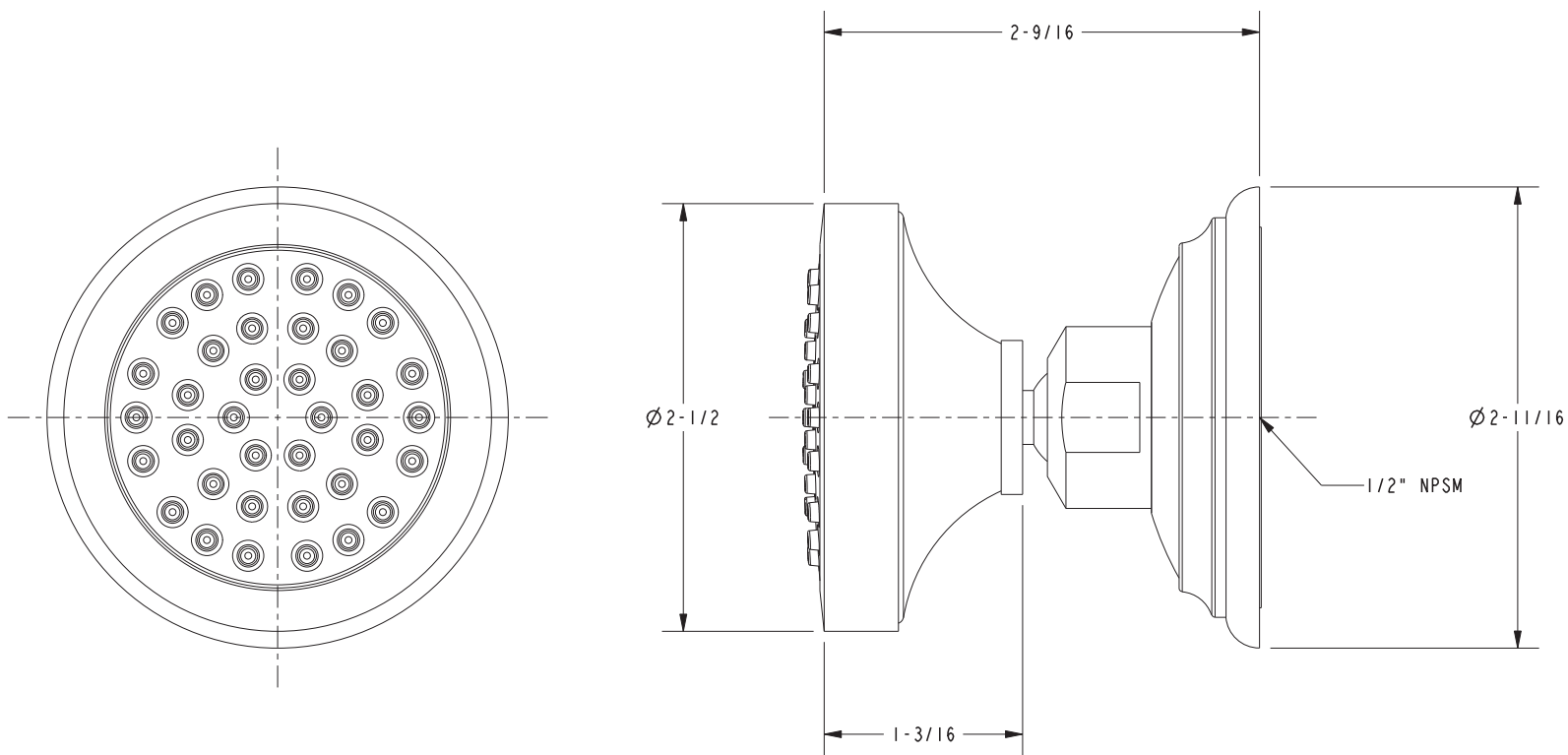
Model	Description	Colors Finishes
2178	Body Spray	<input type="checkbox"/> 10B <input type="checkbox"/> 15 <input type="checkbox"/> 15S <input type="checkbox"/> 26 <input type="checkbox"/> Other

Product Specification: Add size designator and "Color / Finish" suffix to Model number, below.

The Body Spray shall be of solid brass construction. Body Spray shall have a single function spray pattern incorporating rubber nozzles to facilitate easy cleaning. Body spray shall have a 1/2" NPSM inlet fitting and 2-1/2" (6.4 cm) diameter while operating at 1.75 gallons (6.6 liters) per minute maximum flow rate. Body Spray shall be Newport Brass Model 2178/____.

2178

PRODUCT DIMENSIONS *(Units are in inches)*



Newport Bath Body Spray
2178

NEWPORT BRASS
Flawless Beauty. From Faucet to Finish.™