

METROPOLE

Tank Lever 2-876

Features

- Solid brass and crystal construction
- Traditional styling
- Lever handle design
- Front or side mount installation
- Requires a 5/8" x 5/8" (1.58 cm) square hole for installation (standard toilet tank hole size)
- Intended for use with 6-505 Tank Lever Mechanism (Required Accessory)
- Complements Metropole product series

Codes / Standards Compliance

Meets or exceeds the following at date of manufacture:

- All applicable US Federal and State material regulations

Colors / Finishes

- 10B: Oil Rubbed Bronze
- 15: Polished Nickel
- 15S: Satin Nickel - PVD
- 26: Polished Chrome
- Other: Refer to the Newport Brass catalog for additional color/finish options.



Specified Model

Model	Description	Colors Finishes				
2-876	Tank Lever	<input type="checkbox"/> 10B	<input type="checkbox"/> 15	<input type="checkbox"/> 15S	<input type="checkbox"/> 26	<input type="checkbox"/> Other

Required Accessory

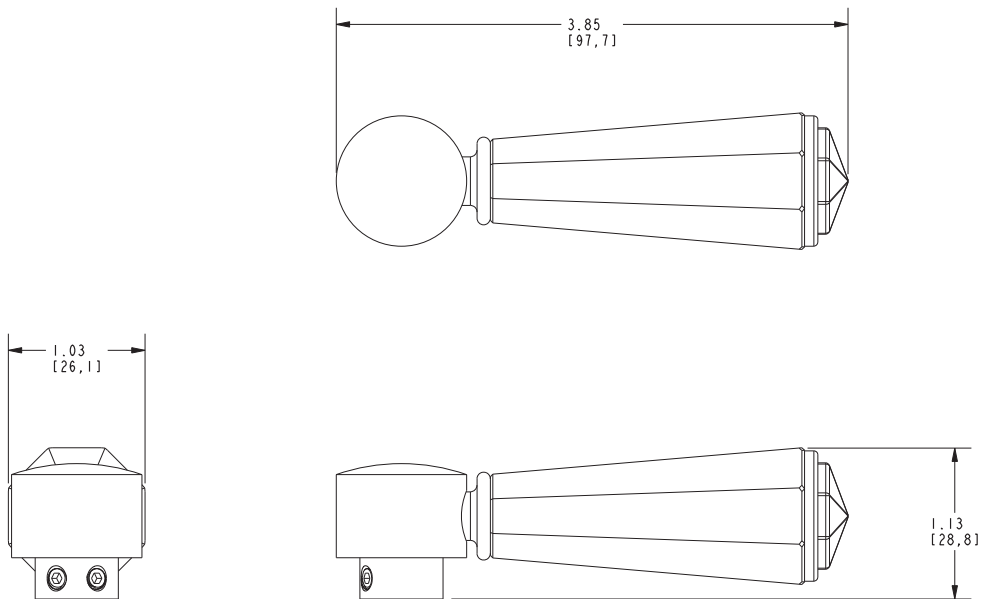
Description	Tank Lever Mechanism	Colors Finishes				
Part Number	6-505	<input type="checkbox"/> 10B	<input type="checkbox"/> 15	<input type="checkbox"/> 15S	<input type="checkbox"/> 26	<input type="checkbox"/> Other
Image						

Product Specification Add "Color / Finish" suffix to Model number, below.

The Tank Lever shall be of solid brass and crystal construction. Product shall complement Metropole product series by Newport Brass. Tank Lever shall be Newport Brass Model 2-876/___ and Tank Lever Mechanism shall be 6-505/___.

2-876

PRODUCT DIMENSIONS *(Units are in inches)*



Metropole Tank Lever 2-876