

MALVINA

Wall-Mounted Tub Trim **3-3155**

Features

- Solid brass construction
- ADA compliant traditional cross handles
- 7.92" (20.1 cm) spout length
- 1/2" NPT spout inlet fitting
- Intended for use with Newport Brass rough valve as specified (Required Accessory)
- Rough valve incorporates a brass valve body assembly
- Rough valve incorporates quarter-turn washerless ceramic disc valve cartridges



Codes / Standards Compliance

Meets or exceeds the following at date of manufacture:

- ASME A112.18.1/CSA B125.1
- IAPMO/cUPC
- IPC
- ADA
- ICC/ANSI A117.1
- All applicable US Federal and State material regulations



Colors / Finishes

- 10B: Oil Rubbed Bronze
- 15: Polished Nickel
- 15S: Satin Nickel - PVD
- 26: Polished Chrome
- Other: Refer to the Newport Brass catalog for additional color/finish options.

Specified Model

Model	Description	Colors Finishes
3-3155	Wall-Mounted Tub Trim	<input type="checkbox"/> 10B <input type="checkbox"/> 15 <input type="checkbox"/> 15S <input type="checkbox"/> 26 <input type="checkbox"/> Other

Application	Tub Only Valve
Description	2-Cartridge Assembly
Inlet/Outlet	1/2"
Part Number	1-500
Image	

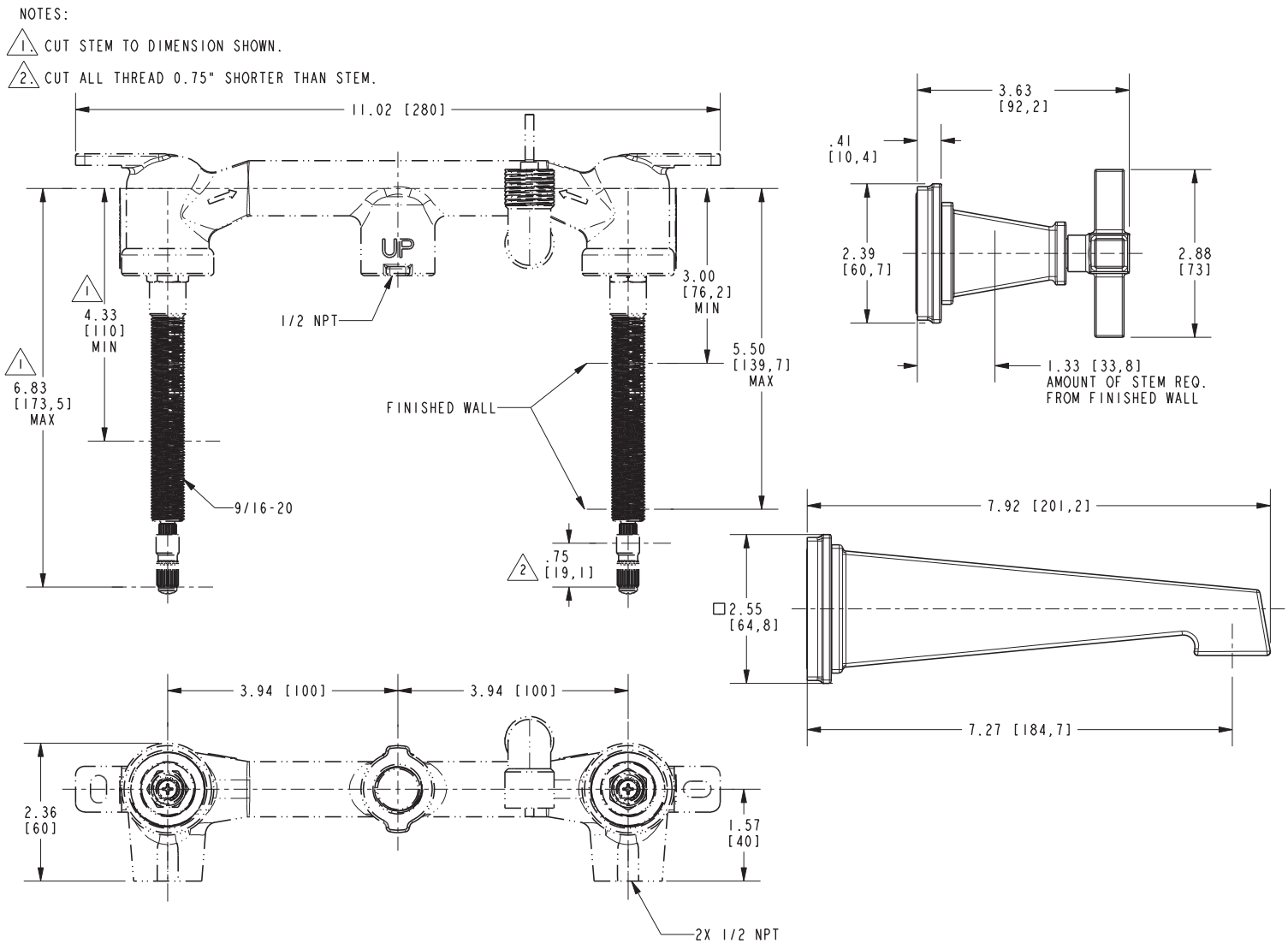
*Plumbing code restrictions prohibit the use of the 1-500 for showers unless the 1-535 (Remote BP Valve) is installed upstream of the 1-500.

Product Specification: Add "Color / Finish" suffix to Model number, below.

The Wall-Mounted Tub Trim shall be made of solid brass construction. Wall-Mounted Tub Trim shall include ADA compliant cross handles and a 7.92" (20.1 cm) tub spout that incorporates a 1/2" NPT inlet fitting. Wall-Mounted Tub Trim shall be Newport Brass Model 3-3155/____ and Newport Brass rough valve shall be 1-500.

3-3155

PRODUCT DIMENSIONS *(Units are in inches)*



Dorrance Wall-Mounted Tub Trim
3-3155