

Roman Tub Deck Trim

3-2906



Features

- Solid brass construction
- ADA compliant traditional cross handles
- 5-1/16" (12.9 cm) spout height at outlet
- 9-1/8" (23.2 cm) spout reach (c-c)
- Intended for use with Newport Brass rough valve kit (Required Accessory) which incorporates the following:
 - Brass valve bodies and quick-connect spout fitting
 - Quarter-turn washerless ceramic disc 3/4" valve cartridges

Codes / Standards Compliance

Meets or exceeds the following at date of manufacture:

- ASME A112.18.1/CSA B125.1

IAPMO/cUPC

IPC

ADA

ICC/ANSI A117.1

All applicable US Federal and State material regulations

Colors / Finishes

- 10B: Oil Rubbed Bronze
- 15: Polished Nickel
- 15S: Satin Nickel - PVD
- 26: Polished Chrome
- Other: Refer to the Newport Brass catalog for additional color/finish options.

Specified Model

Model	Description	Colors Finishes
3-2906	Roman Tub Deck Trim	<input type="checkbox"/> 10B <input type="checkbox"/> 15 <input type="checkbox"/> 15S <input type="checkbox"/> 26 <input type="checkbox"/> Other

Required Accessory

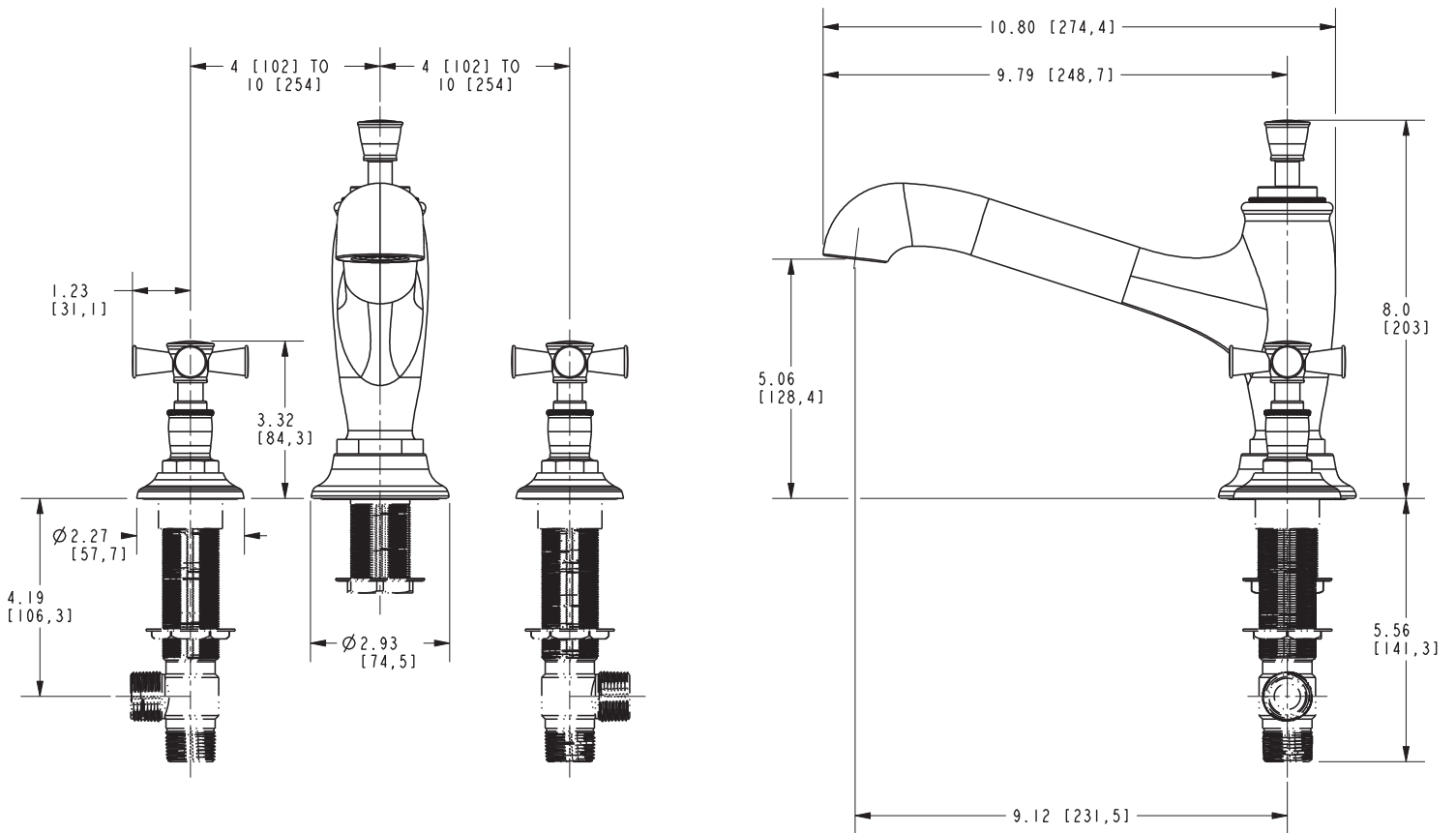
Application	Deck Tub Valve
Description	3-Valve Assembly With Quick Connect Spout Adapter
Inlet/Outlet Size	3/4"
Part Number	1-665
Image	

Product Specification Add "Color / Finish" suffix to Model number, below.

The Roman Tub with Handshower Deck Trim shall be made of solid brass construction. Roman Tub with Handshower Deck Trim shall incorporate ADA compliant traditional cross handles. Product shall incorporate a 5-1/16" (12.9 cm) spout height at outlet and a 9-1/8" (23.2 cm) spout reach (c-c). Rough valve kit shall incorporate brass valve bodies with quarter-turn washerless ceramic disc 3/4" valve cartridges and a quick-connect spout fitting. Roman Tub Deck Trim shall be Newport Brass Model 3-2906/_____ and Newport Brass rough valve kit shall be 1-665.

3-2906

PRODUCT DIMENSIONS *(Units are in inches)*



Vander Roman Tub Deck Trim 3-2906