

Features

- Solid brass construction
- ADA compliant traditional cross handles
- 6-11/16" (17.0 cm) spout length
- 1/2" NPT spout inlet fitting
- Intended for use with Newport Brass rough valve as specified (Required Accessory)
- Rough valve incorporates a brass valve body assembly
- Rough valve incorporates quarter-turn washerless ceramic disc valve cartridges

Wall-Mounted Tub Trim

3-2905



Codes / Standards Compliance

Meets or exceeds the following at date of manufacture:

- ASME A112.18.1/CSA B125.1
- IAPMO/cUPC
- IPC
- ADA
- ICC/ANSI A117.1
- All applicable US Federal and State material regulations

Colors / Finishes

- 10B: Oil Rubbed Bronze
- 15: Polished Nickel
- 15S: Satin Nickel - PVD
- 26: Polished Chrome
- Other: Refer to the Newport Brass catalog for additional color/finish options.

Specified Model

| Model | Description | Colors Finishes |
|--------|-----------------------|--|
| 3-2905 | Wall-Mounted Tub Trim | <input type="checkbox"/> 10B <input type="checkbox"/> 15 <input type="checkbox"/> 15S <input type="checkbox"/> 26 <input type="checkbox"/> Other |

Required Accessory

| | |
|-------------------|----------------------|
| Application | Tub Only Valve* |
| Description | 2-Cartridge Assembly |
| Inlet/Outlet Size | 1/2" |
| Part Number | 1-500 |
| Image | |

Product Specification Add "Color / Finish" suffix to Model number, below.

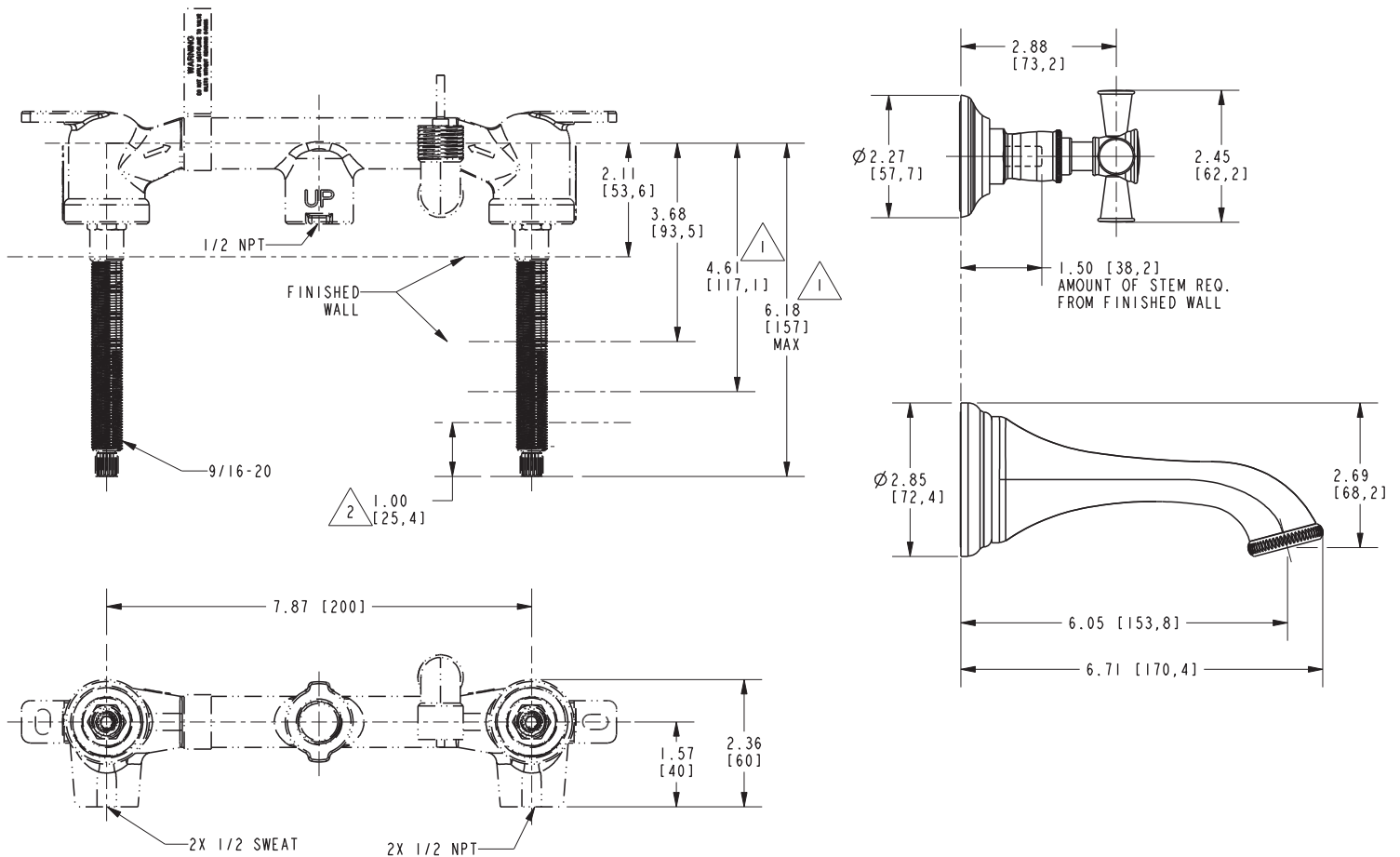
The Wall-Mounted Tub Trim shall be made of solid brass construction. Wall-Mounted Tub Trim shall include ADA compliant cross handles and a 6-11/16" (17.0 cm) tub spout that incorporates a 1/2" NPT inlet fitting. Wall-Mounted Tub Trim shall be Newport Brass Model 3-2905/____ and Newport Brass rough valve shall be 1-500.

3-2905

PRODUCT DIMENSIONS *(Units are in inches)*

NOTE:

1. CUT STEM TO DIMENSION SHOWN
2. CUT ALL THREADS 1" SHORTER THAN STEM.



Vander Wall-Mounted Tub Trim 3-2905